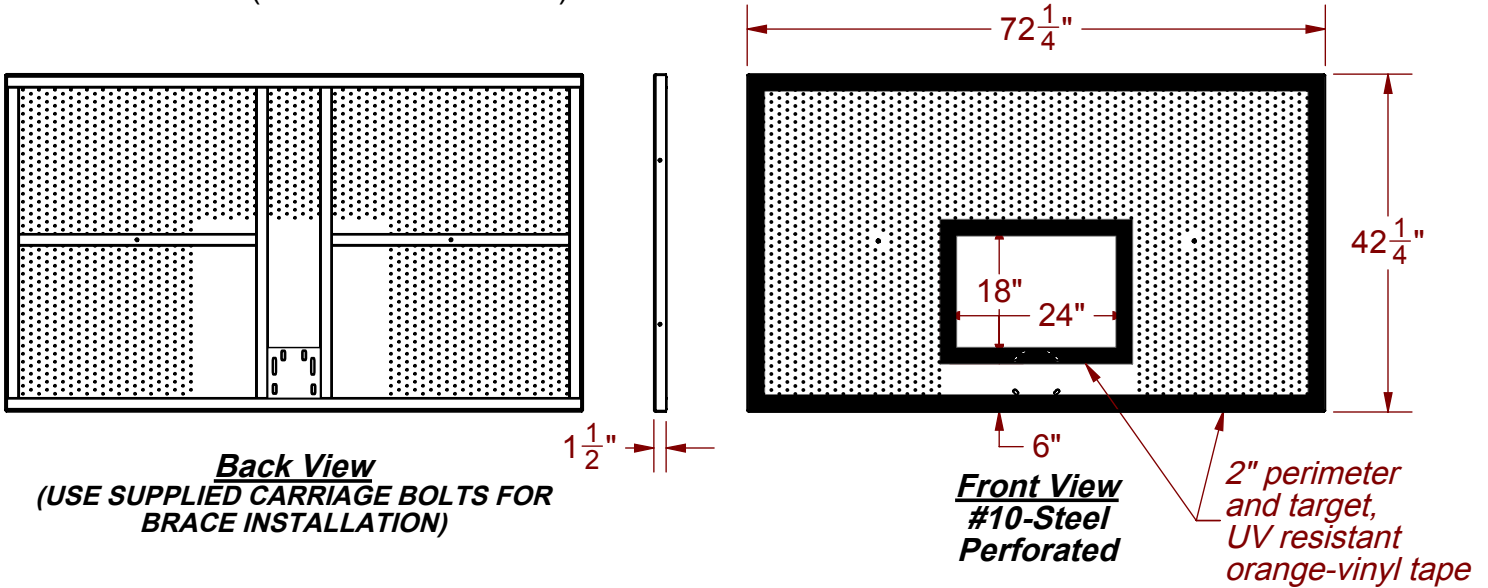


BASKETBALL BACKBOARD

MODEL #10 PERFORATED BACKBOARD (188 LBS)
(Powder coated white)



For the installation of backboards to PW Athletic posts only. For other manufacturer's posts and backboards, please consult installations provided by that manufacturer. The Model 10 backboard is equipped with a 6-hole mounting pattern. Two of the holes are countersunk on the face of the backboard. Note: These two holes are used for attaching the backboard to the mounting plate prior to mounting the rim and to help free your hands for goal ring installation. Always use the four goal ring holes to secure the backboard to the mounting plate.

1. Align the countersunk holes on the face of the backboard with the top two holes on the mounting plate and secure with 3/8" X 2" flat head bolts and 3/8" washers and nuts. Use a 7/32" hex key wrench to hold the flat head bolt while tightening. Note: The flat head bolts will seat in the countersunk holes on the face of the backboard.

NOTE: The Rim and Backboard are to be mounted securely to the sleeve adapter (GNP). Attach the sleeve to the Post and secure with set screws and drive pin.


1. Align the Rim with the holes on the Backboard and mounting plate and attach with 3/8" x 3-1/2" Hex Head bolts, Flat Washers and Nylock Nuts.
2. Attach the assembled Rim/Backboard/Sleeve to the Gooseneck Post.
3. For **Adjustable Offset Goals**, attach the Rim and Backboard with supplied hardware to the adjustable offset. Use the other half clamp and attach the assembly to the bottom of the post. When all the hardware is snug, slide the assembly up the post to the desired height.

Caution: Flat washers must be used behind the plate when mounting the backboard.

4. Align the four holes in the mounting plate and backboard with the goal ring holes and secure the goal ring with 3/8" x 3-1/2" hex bolts, flat washers and nuts.
5. Adjust the backboard to square and tighten all the bolts.
6. For brace pipe installation, align with weld studs and secure with 3/8" Nylock Nut.

WARRANTY PERIOD: Limited Lifetime Warranty.

Note: Hardware comes separately with each item (i.e. rim, backboard and post)

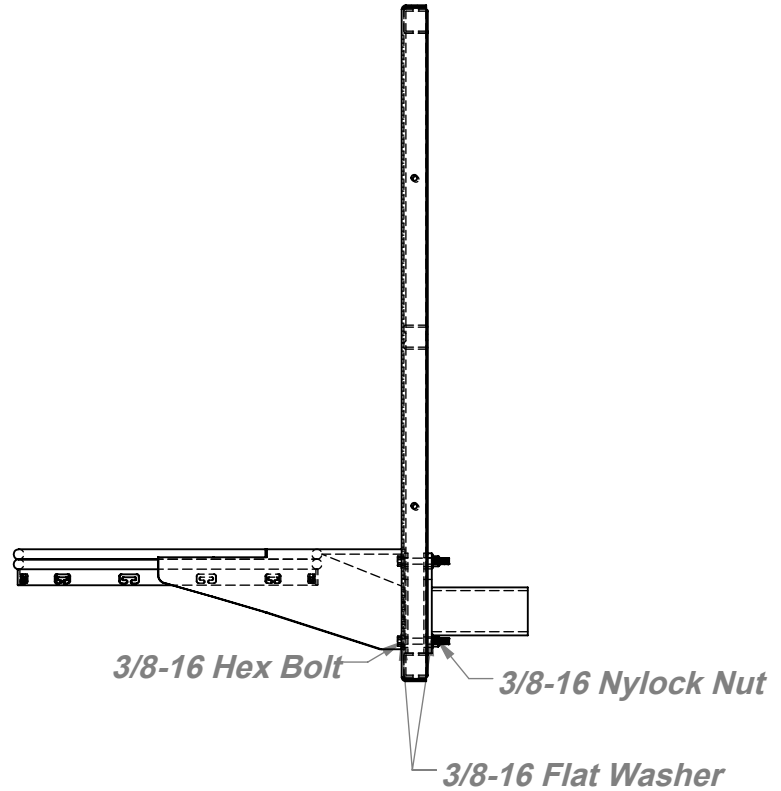
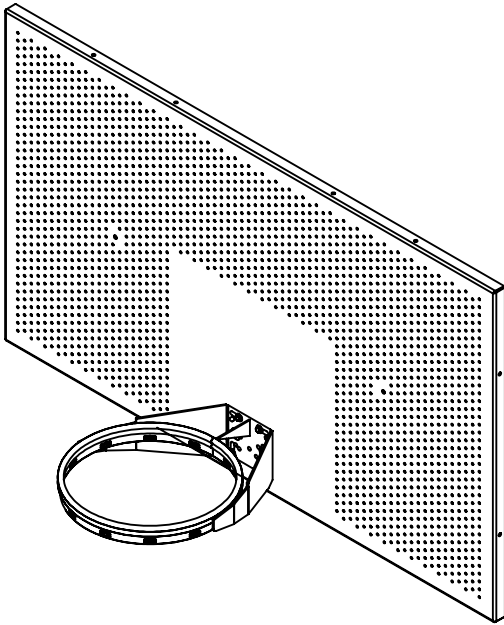
	Date: 4/15/15	SPECIFICATION / INSTALLATION INSTRUCTIONS
	Rev: 12/8/22	
	Drawn: MT	MODEL NO.
	Sheet: 1 of 2	10

BASKETBALL BACKBOARD

MODEL #10 PERFORATED BACKBOARD (188 LBS)
(Powder coated white)

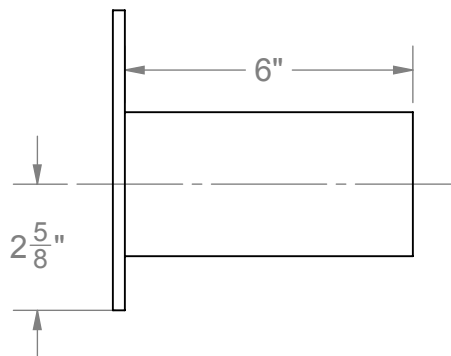
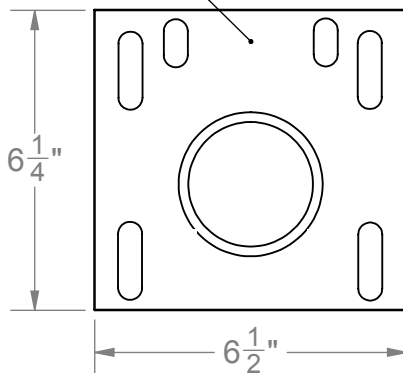
Diagonal Brace Installation: Diagonal brace installation varies depending on which upright post is ordered. Plumb backboard and goal ring true and level (shim if necessary). Tighten all hardware securely. Install net. If the goal ring is equipped with a chain net, make sure all S-hooks are fully closed.

STANDARD HARDWARE KIT FOR USE ON ALL BACKBOARD INSTALLATIONS		Qty
3/8-16 x 3-1/2" GR5 Fully Threaded Hex Bolt Zinc		4
3/8-16 x 1" GR5 C/S Zinc Hex Bolt (Cap Screw)		2
3/8-16 x 2" Flat Head Socket Cap Screw 18.8 SS		7
3/8" USS Flat Washer Zinc		15
3/8-16 Insert Nylock Zinc (2500)		11



NOTE: Sleeves supplied with PW Gooseneck Post

Universal Mounting Plate on 6" Sleeve



Date: 4/8/15

Rev: 12/8/22

Drawn: MT

Sheet: 2 of 2

SPECIFICATION / INSTALLATION INSTRUCTIONS

PERFORATED RECTANGLE BASKETBALL BACKBOARD

MODEL NO.

10