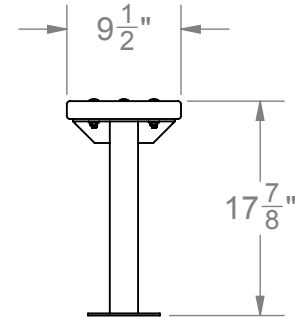
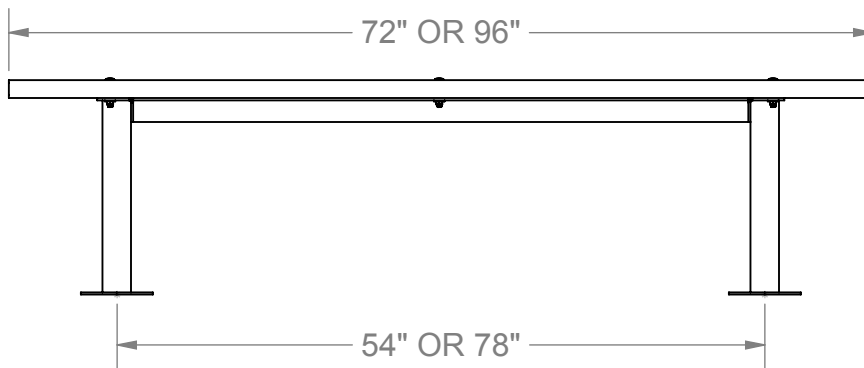
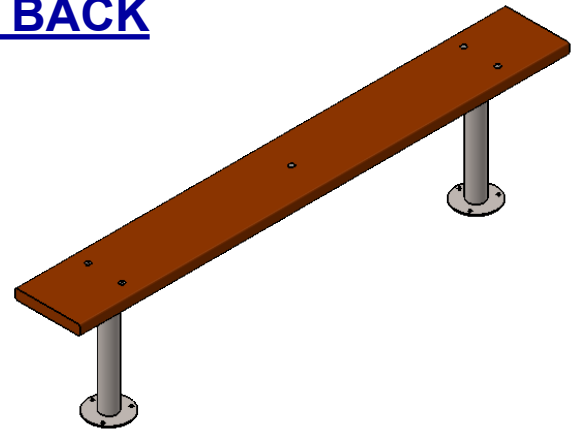


# RECYCLED PLASTIC BENCH WITHOUT BACK

**MODEL 1107-06** 6 FT. BENCH W/O BACK (65 lbs)  
**MODEL 1107-08** 8 FT. BENCH W/O BACK (85 lbs)



*MODEL 1107 SHOWN  
WITH M3 SURFACE MOUNT*

## **SPECIFICATIONS:**


**GENERAL:** This is a durable bench ideal from dugouts, sideline seating, tennis courts, parks, and schools. Frames are fabricated from galvanized steel.

Seat planks are made from HDPE recycled plastic. Benches are available in 6' and 8' lengths.

**Material:** All materials are selected from strength, durability, and the ability to withstand years of exposure.

**Leg Frames and Seat Supports:** 2-3/8" O.D. galvanized steel post and welded to 2" x 3" angle seat support.

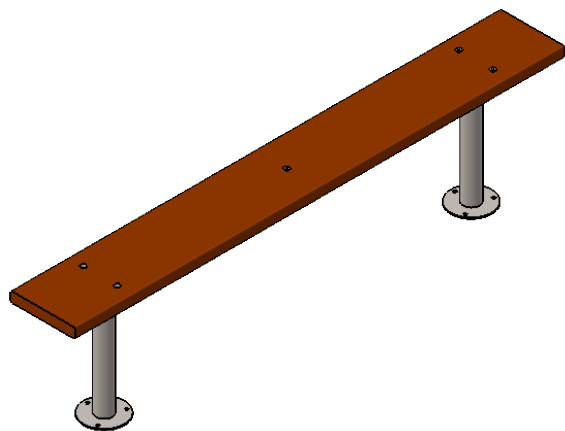
**Planks:** HDPE Recycled plastic. This material has exceptional resistance to corrosive substances and other environmental stresses and weather. This material requires no waterproofing, painting, staining, or similar maintenance when used outdoors.

 <p>ATHLETIC MFG. CO.</p>	Date: 9/18/15	<b>SPECIFICATION / INSTALLATION INSTRUCTIONS</b>
	Rev: 4/20/16	
	Drawn: MT	MODEL NO.
	Sheet: 1 of 2	<b>1107-06 &amp; 1107-08</b>

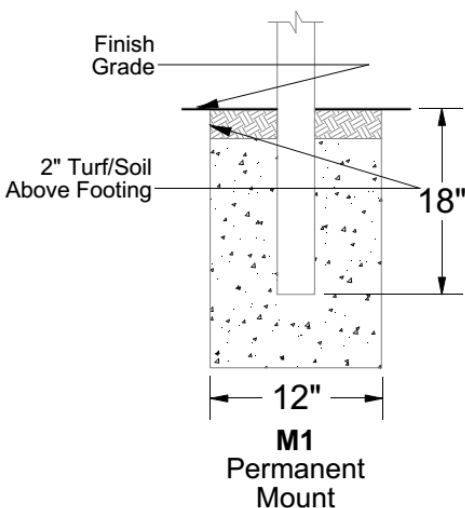
## MODEL #1107 BENCH WITHOUT BACK:

1. Place Five 5/16" x 2-1/2" Carriage Bolts into pre-drilled starter holes on RCP Plank until shoulder of bolt is seated.
2. Lay the RCP Plank on the ground with bolt threads facing up.
3. Lay an angle support over the exposed threads.
4. Align a leg frame over exposed threads.
5. Attach angle seat support and leg frame to plank. Use a 5/16" flat washer, & hex nut.
6. When all hardware is tightened, lower bench into holes. Brace bench so top of seat plank is 18" above finished grade and level.
7. Pour concrete to within 2" of finish grade or to it depending on your preference and let concrete set 48 hours. Remove bracing and cover footings with turf.
8. If Surface mounted, you will need the required anchor bolts. (Not Supplied)

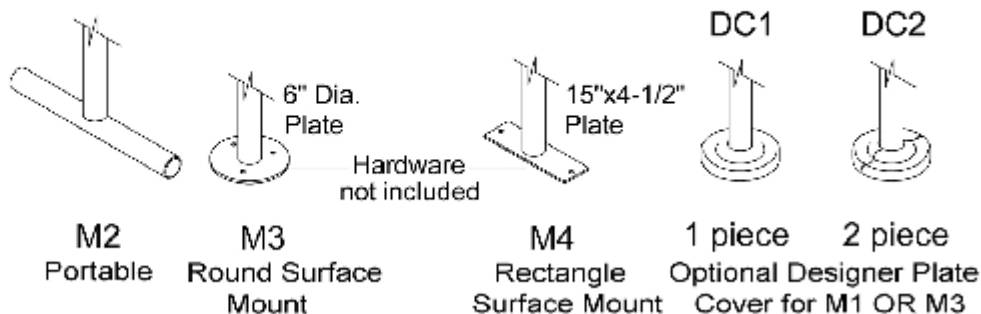
**Note:** Footing sizes are based on average soil conditions. Loose and/or sandy soil is not average and footing sizes must be increased accordingly to meet local soil conditions.



MATERIAL	QTY	M2 QTY
2 x 10 RCP PLANK (6' or 8')	1	1
PLANK SPLINE	1	1
LEG FRAMES	2	2
BRACES (31"-6FT, 43"-8FT)	0	2
3/8" x 3" HEX BOLT	0	2
3/8" FLAT WASHER	0	2
3/8" NYLOCK NUT	0	2
5/16" x 3" CARRIAGE BOLT	0	1
5/16" x 2-1/4" CARRIAGE BOLT	5	5
5/16" FLAT WASHER	5	5
5/16" NYLOK NUT	5	5
3/8" x 1-1/2" FENDER WASHER	0	1



### MOUNTING OPTIONS



Date: 9/18/15  
 Rev: 4/20/16  
 Drawn: MT  
 Sheet: 2 of 2

### SPECIFICATION / INSTALLATION INSTRUCTIONS

RECYCLED PLASTIC BENCH WITHOUT BACK

MODEL NO.

**1107-06 & 1107-08**