

# SITE FURNISHINGS

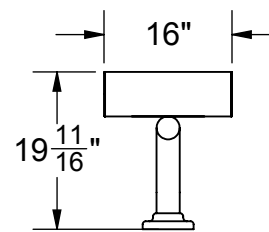
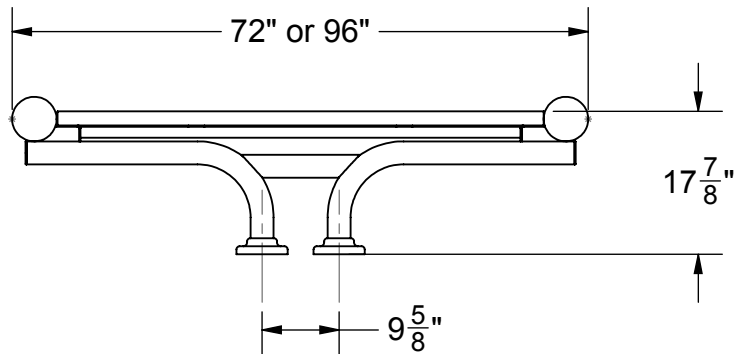
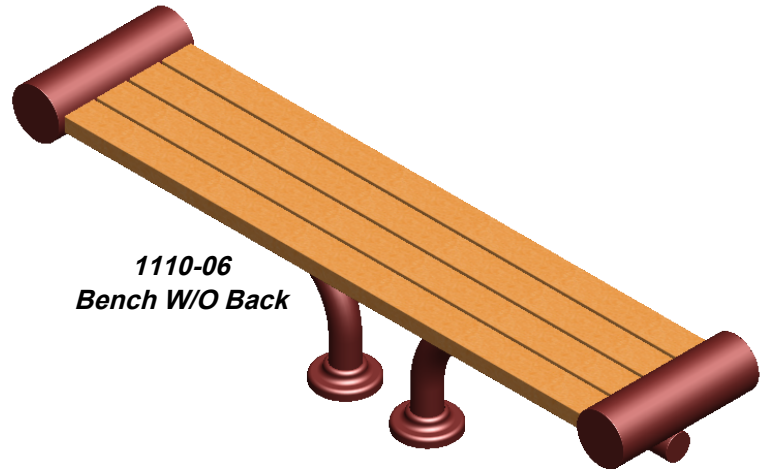
**MODEL 1110-06** - 6FT. FLAIR BENCH W/O BACK (156 lbs)

**MODEL 1110-08** - 8FT. FLAIR BENCH W/O BACK (220 lbs)

## SPECIFICATIONS:

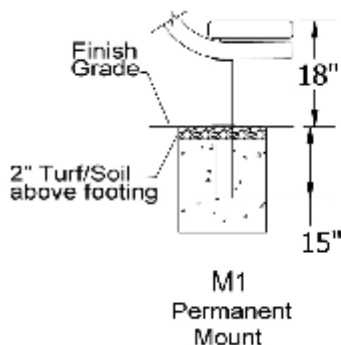
- LEG FRAME:** 5-9/16" O.D. & 2-3/8" O.D. galvanized steel pipe welded to 2-7/8" O.D. bent steel tube.
- PLANKS:** Recycled 2" x 4" HDPE Plastic. (Nominal 1-1/2" x 3-1/2")
- CENTER SEAT SUPPORT:** 1-3/8" O.D. pipe welded to 2" x 3" Angle End Frame.
- HARDWARE:** All hardware is Stainless Steel.
- FINISH:** Super durable polyester powder coat.

DESCRIPTION	QTY	PART NUMBER
BENCH FRAME	2	1110-FRAME
SPLINE	1	1110-SPLINE
RCP PLANKS	4	VCIRP2424CED
SS LAG SCREW	16	HWSSLS14112
SS FLAT WASHERS	16	HWFLWASS516
DC2	2	VCIDC2-238

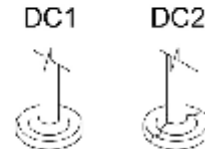
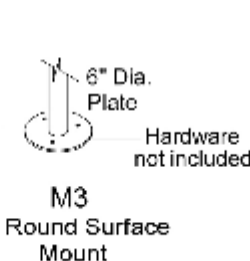


FOR POWDER COAT COLORS SEE  
BACK-INSIDE COVER OF  
PATTERSON-WILLIAMS CATALOG

*(Note: Bench must be anchored. Anchoring hardware not included.)*



### MOUNTING OPTIONS



**DC1**      **DC2**  
1 piece    2 piece  
Optional Designer Plate  
Cover for M1 OR M3



SITE FURNISHINGS

DATE: 6/16/15

REV: SS83017

DRAWN: MT

SHEET: 1 of 1

### SPECIFICATION / INSTALLATION INSTRUCTIONS

FLAIR BENCH W/ RCP PLANKS

**1110-06, -08**

# Pick Ticket

Internal use only return to office with packet

Shipping to pull Plank, Braces. Fabrication/powder coat to provide assembled bench is shortages occur notify office immediately.

DESCRIPTION	QTY	PART NUMBER
RCP PLANKS 59"	4	

DESCRIPTION	QTY	PART NUMBER
BENCH FRAME	2	1110-FRAME
SPLINE	1	1110-SPLINE
SS LAG SCREW	16	HWSSLS14112
SS FLAT WASHERS	16	HWFLWASS516
DC2	2	VCIDC2-238

