

SITE FURNISHINGS

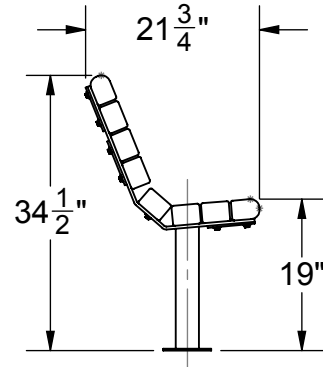
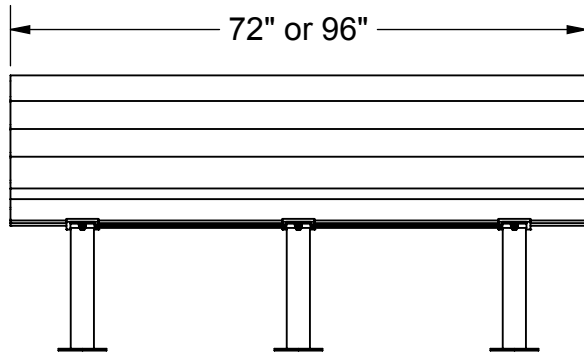
- MODEL 1118-06** 6 FT. BENCH w/ 3" x 4" RECYCLED PLASTIC PLANKS
- MODEL 1118-08** 8 FT. BENCH w/ 3" x 4" RECYCLED PLASTIC PLANKS
- MODEL 1118-16** 6 FT. BENCH w/ 2" x 4" RECYCLED PLASTIC PLANKS
- MODEL 1118-18** 8 FT. BENCH w/ 2" x 4" RECYCLED PLASTIC PLANKS

Materials:

Steel: Steel plate and bar conform to the requirements of ASTM A36.
 Steel tube conforms to the requirements of ASTM A787 and A653.
 Welding conforms to the requirements of the American Welding Society's specifications for the material being welded.

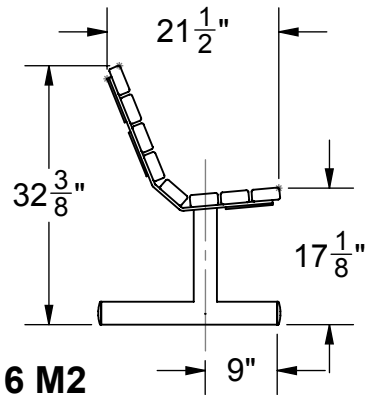
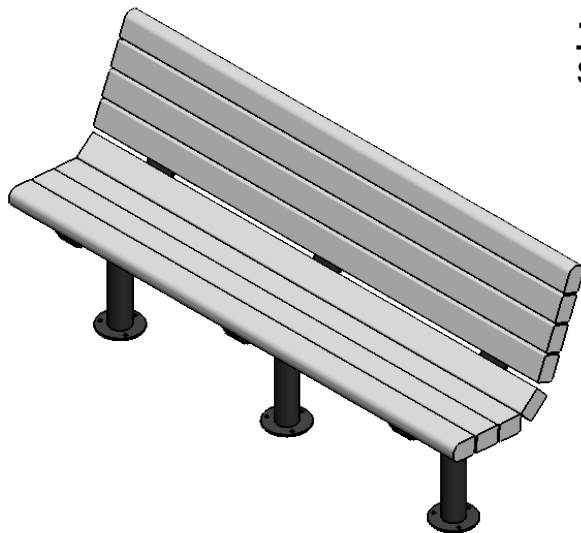
Plastic: Plastic lumber conforms to the requirements of Polytuf HDPE plastic lumber requirements.

Finish: Steel components available galvanized or coated with polyester TGIC powder coat finish meeting AAMA 2604-02 specification. All fasteners shall be Stainless Steel.



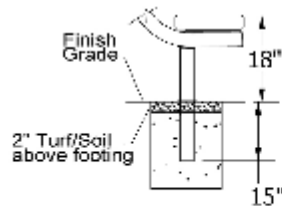
1118-06 M2

SHOWN WI M2 PORTABLE MOUNT

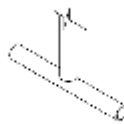


1118-16 M2

SHOWN WI M2 PORTABLE MOUNT



M1
Permanent
Mount



M2
Portable

MOUNTING OPTIONS



M3
Round Surface
Mount



DC1
1 piece



DC2
2 piece
Optional Designer Plate
Cover for M1 OR M3



Date: 10/1/15

Rev: SS10517

Drawn: MT

Sheet: 1 of 2

SPECIFICATION / INSTALLATION INSTRUCTIONS

RECYCLED PLASTIC BENCH

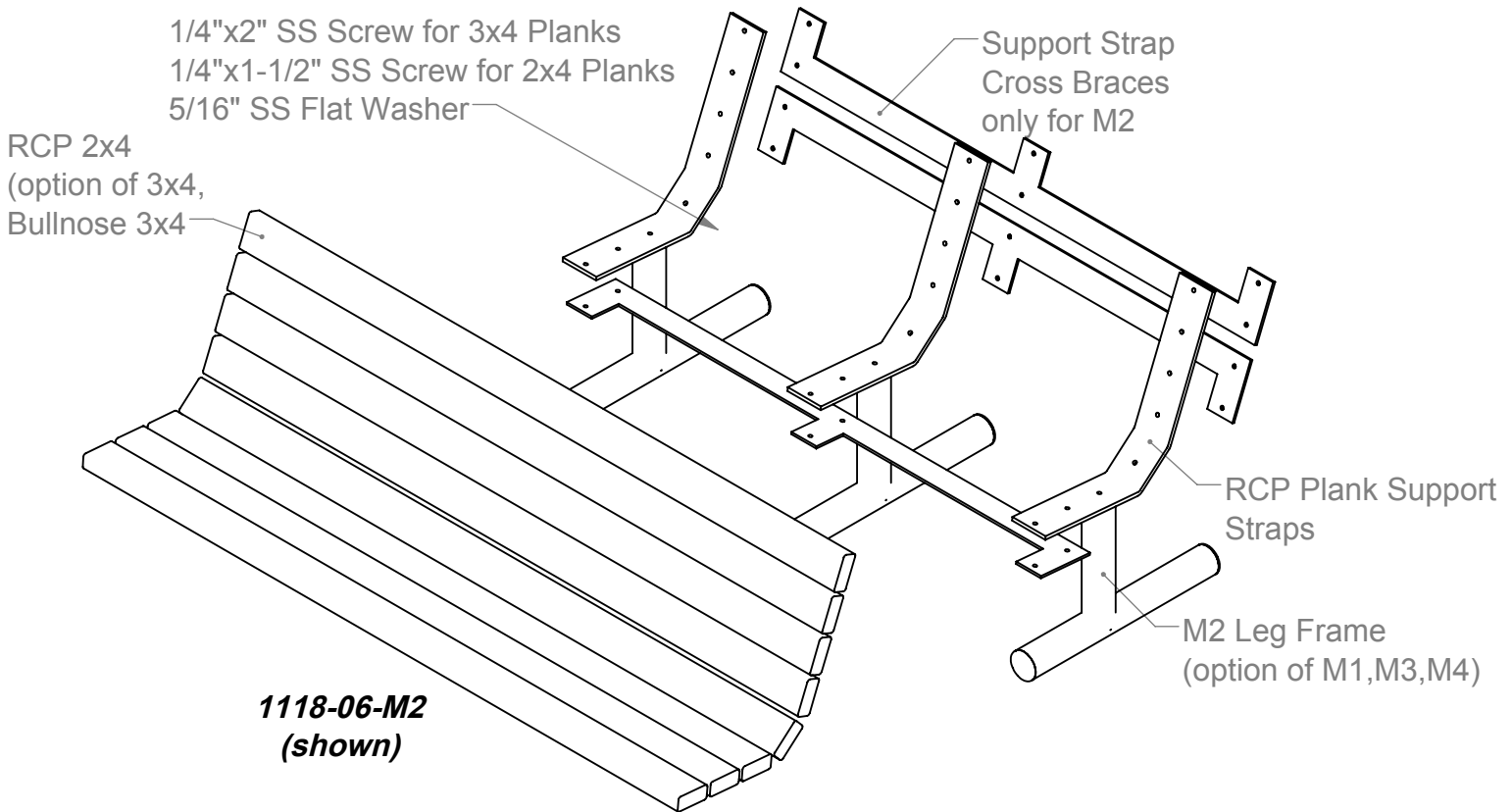
MODEL NO.

1118 (-06) (-08) (-16) (-18)

INSTALLATION INSTRUCTIONS

1. Lay the leg frames on the ground resting on the backrest. Line the planks up with the frames evenly spaced align support braces if mount is M2 install all screws with flat washer until almost tight.
Align other leg frames and repeat. **NOTE:** Leave all screws loose until all planks are in place.
 2. Repeat (Step1) for remaining planks after Support Strap Cross Braces are attached with Lag Bolts.
 3. When all planks are attached to leg frames, tighten all screws. **See note below.**
 4. Dig footing holes per **M1** permanent mount drawing on sheet 1. Required footing size may vary depending on local soil conditions and building codes.
 5. Lower the assembled bench into footing holes. Block or shim from below so that top of bench plank is 18" above finish grade. **NOTE:** The round tube of the leg frame should be at 90 degrees to finish grade so that the seat of the bench will be slightly tipped back.
 6. Pour concrete up to 2" below finish grade for a field install or level with finish grade for a slab install. Let concrete set for 3 days before removal of bracing. Cover field install footings with turf.
- NOTE: Support Cross Braces are NOT supplied for M1 Permanent mount. (ONLY Portable Benches)

M3/M4 Surface Mount Installation: Attach mounting plates to foundation using hardware purchased separately.



INSTALLING RECYCLED PLASTIC PLANKS:

It is important when installing the recycled plastic planks that you **DO NOT** tighten any screws past finger tight when assembling. This is particularly important when assembling the ADA option on tables. After assembly is complete and all hardware is installed finger tight, then go back and **SNUG** all screws to complete assembly. It is important to watch for movement on the recycled plastic when doing the final tightening sequence. Planks may become out of alignment if you over-tighten hardware.

| ITEM # | 2x4 Qty. | 3x4 Qty. | DESCRIPTION |
|--------|----------|----------|------------------------------------|
| 1 | 8 | 6 | Recycled Plastic Plank |
| 2 | 0 | 2 | Recycled Plastic Plank Bullnose |
| 3 | 3 | 3 | Leg Frame |
| 4 | 3 | 3 | Leg Frame Stiffner Brace (M2 only) |
| 5 | 24 | 0 | 1/4" x 1-1/2" SS Screw |
| 6 | 0 | 24 | 1/4" x 2" SS Screw |
| 7 | 24 | 24 | 5/16" SS Flat Washer |
| 8 | 4 | 4 | 1/4" Spacer |



Date: 10/1/15
 Rev: SS10517
 Drawn: MT
 Sheet: 2 of 2

SPECIFICATION / INSTALLATION INSTRUCTIONS

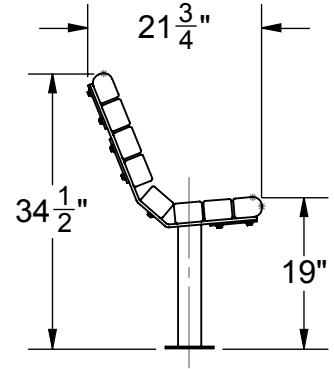
RECYCLED PLASTIC BENCH

MODEL NO.

1118 (-06) (-08) (-16) (-18)

Pick Ticket

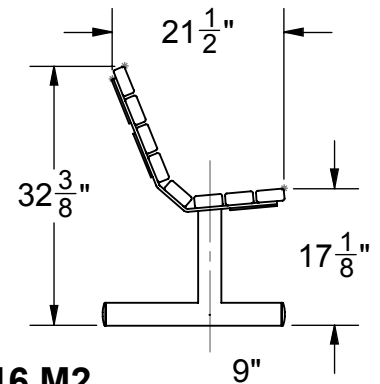
Fabrication to provide frames and braces if M2
 Shipping to provide plank and hardware
 Bench Doesn't ship assembled



1118-06 M2

SHOWN WI M2 PORTABLE MOUNT

| ITEM # | 2x4 Qty. | 3x4 Qty. | DESCRIPTION |
|--------|----------|----------|------------------------------------|
| 1 | 8 | 6 | Recycled Plastic Plank |
| 2 | 0 | 2 | Recycled Plastic Plank Bullnose |
| 3 | 3 | 3 | Leg Frame |
| 4 | 3 | 3 | Leg Frame Stiffner Brace (M2 only) |
| 5 | 24 | 0 | 1/4" x 1-1/2" SS Screw |
| 6 | 0 | 24 | 1/4" x 2" SS Screw |
| 7 | 24 | 24 | 5/16" SS Flat Washer |
| 8 | 4 | 4 | 1/4" Spacer |



1118-16 M2

SHOWN WI M2 PORTABLE MOUNT