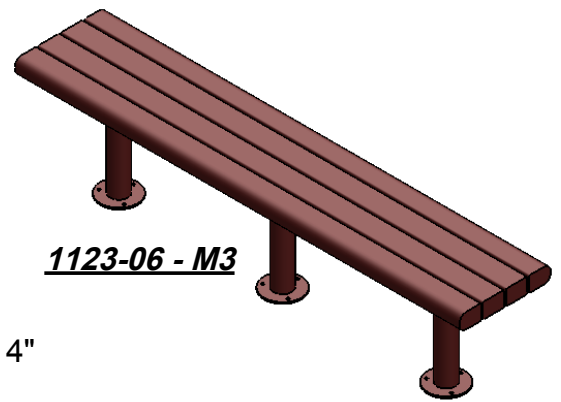


RECYCLED PLASTIC BENCH

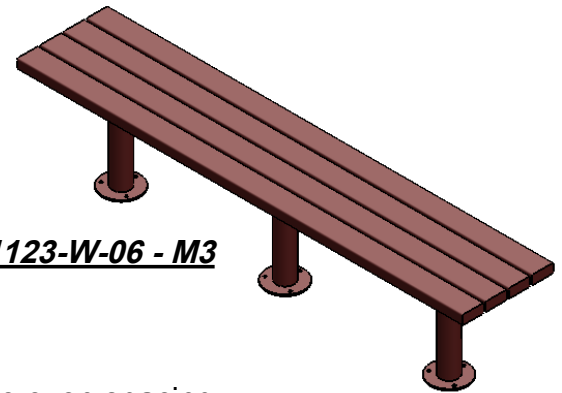
- MODEL 1123-04 4 FT. 3" x 4" RCP BENCH
- MODEL 1123-W-04 4 FT. 2" x 4" RCP BENCH
- MODEL 1123-06 6 FT. 3" x 4" RCP BENCH
- MODEL 1123-W-06 6 FT. 2" x 4" RCP BENCH
- MODEL 1123-08 8 FT. 3" x 4" RCP BENCH
- MODEL 1123-W-08 8 FT. 2" x 4" RCP BENCH

SPECIFICATIONS:

1. LEG FRAME: 2-7/8" O.D. galvanized steel welded to 3/16" x 4" steel seat support.
2. PLANKS: Recycled 3" x 4" nominal (2-1/2" x 3-1/2") 2" x 4" nominal (1-1/2" x 3-1/2") HDPE plastic with pre-drilled pilot holes.
3. CENTER SUPPORT: 3/16" x 4" steel seat support.
4. HARDWARE: All hardware is Stainless Steel.



1123-06 - M3



1123-W-06 - M3

INSTALLATION INSTRUCTIONS:

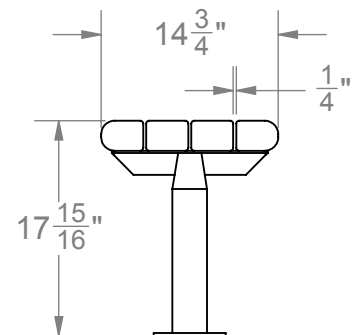
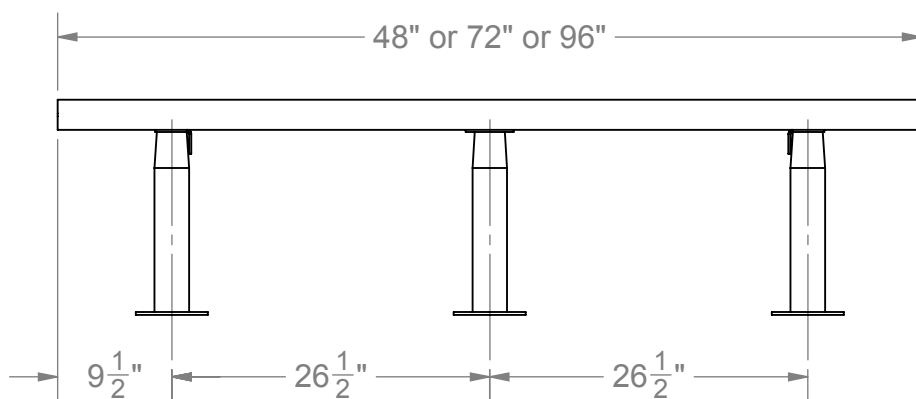
1. To install planks to the frame, place planks upside down.
2. Place the frame slotted holes over the pre-drilled starter hole location on the bench planks.
3. Insert the 1/4" spacers provided, between the planks, to insure even spacing.
4. Install the self tapping screws through the frame into the pre-drilled starter holes in planks (Some adjustment may be required).

For M1 permanent mounting:

Lower the assembled bench into footing holes. Block or shim from below so that top of bench plank is 18" above finish grade. Pour concrete up to 2" of finish grade for a field install or level with finish grade for slab install. Let concrete set for 3 days before removal of bracing. Cover footing with turf/soil.

For M2, M3, & M4 permanent mounting:

Hardware; 1/4" x 2" Self Tapping SScrew.
Hardware not included in package.



**4 FT. BENCH ONLY
HAVE 2 LEGFRAMES**



Date: 4/1/15
Rev: 12/1/15
Drawn: MT
Sheet: 1 of 2

SPECIFICATION / INSTALLATION INSTRUCTIONS

3" x 4" RECYCLED PLASTIC BENCH

MODEL NO.

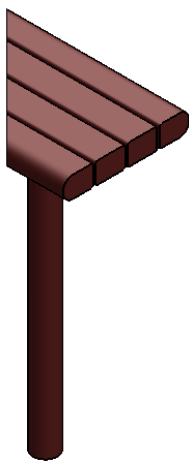
1123

3" x 4" RECYCLED PLASTIC BENCH

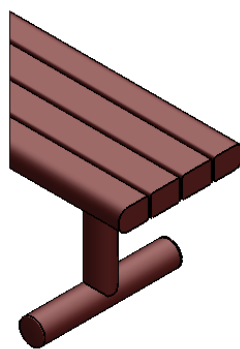
Component Description	Qty
M1 Bench Frame Assembly	3
M2 Bench Frame Assembly	3
M3 Bench Frame Assembly	3
M4 Bench Frame Assembly	3
2" x 4" RCP Plank	4
1/4" x 2" Lag Screw	12
1/4" Flat Washer	12
1/4" Spacers	4

INSTALLING RECYCLED PLASTIC PLANKS:

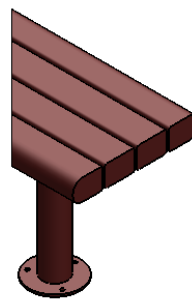
It is important when installing the recycled plastic planks that you **DO NOT** tighten any screws past finger tight when assembling. This is particularly important when assembling the ADA option on tables. After assembly is complete and all hardware is installed finger tight, then go back and **SNUG** all screws to complete assembly. It is important to watch for movement on the recycled plastic when doing the final tightening sequence. Planks may become out of alignment if you over-tighten hardware. **DO NOT** install Lag Screws at an angle.



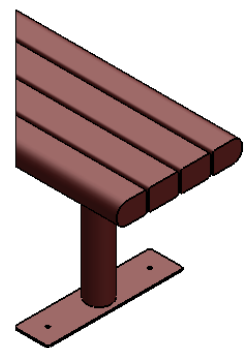
1123-06
M1 MOUNT



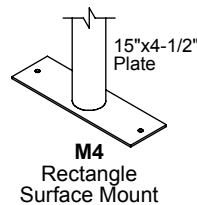
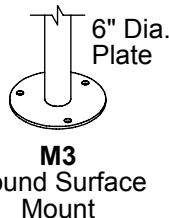
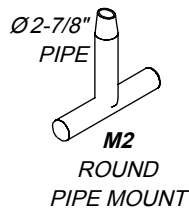
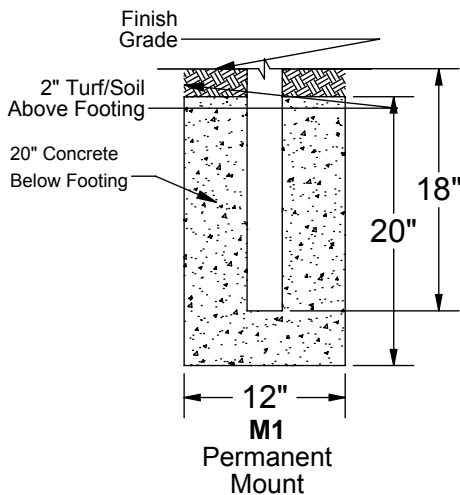
1123-06
M2 MOUNT



1123-06
M3 MOUNT



1123-06
M4 MOUNT



1 piece **2 piece**
Optional Designer Plate
Cover for M1 OR M3



Date: 4/1/15
Rev: 12/1/15
Drawn: MT
Sheet: 2 of 2

SPECIFICATION / INSTALLATION INSTRUCTIONS

3" x 4" RECYCLED PLASTIC BENCH

MODEL NO.

1123