

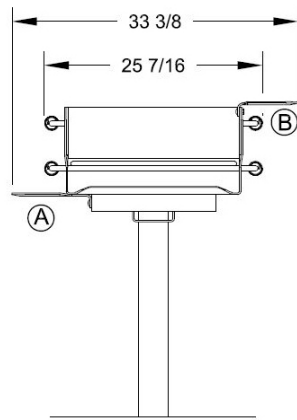
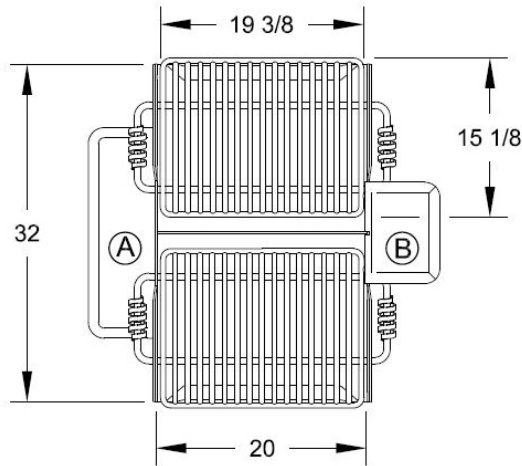
# SITE FURNISHINGS

**MODEL #11 0-10- DOUBLE GRILL (140 LBS)**

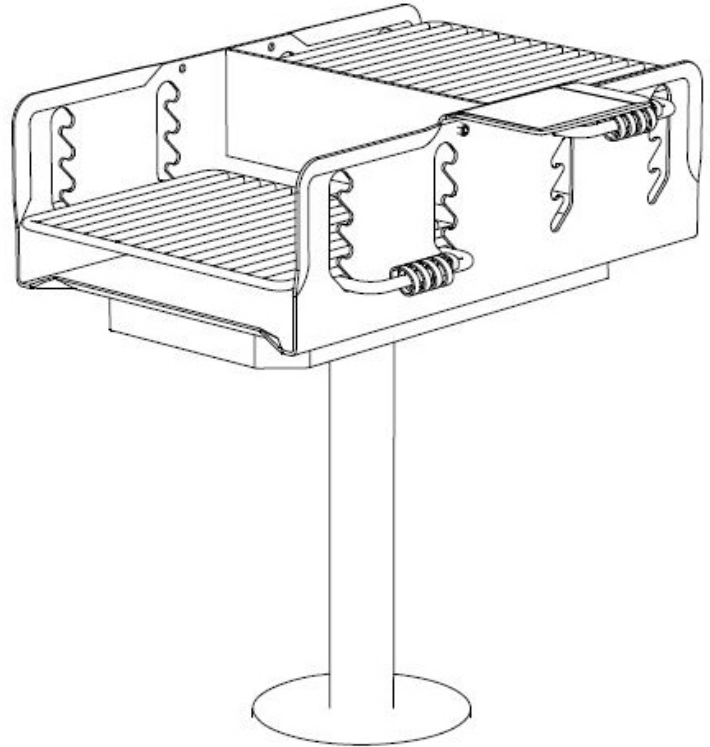
**MODEL #11 0-10SH- 7-1/8" X 9-5/8" SHELF (8 LBS , ADD-ON OPTIONAL)**

**MODEL 11 0-00SH- 9" X 20" SHELF (12 LBS , ADD-ON OPTIONAL)**

**MODEL #11 0-10SM OS SURFACE MOUNT PLATE (ADD-ON OPTIONAL)**



- (A) OPTIONAL UTILITY SHELF
- (B) ONE OR TWO OPTIONAL SHELF



## SPECIFICATIONS:

Model 1400-10 has two identical 300 sq in grates, for a combined cooking area of 600 sq in. Each grate adjusts independently to 4 levels between 3-1/2" and 8-3/4" above the firebed. Two back to back 15" x 20" x 10" high firebox compartments provide independent fire control for each grate.

**Firebox:** The firebox is constructed entirely of 3/16" plate steel with integral ash flange die-formed into front edge to retain ashes and provide reinforcement. All exposed corner are rounded to 1-1/2" radius and all edge connections are entirely welded. Allowance for drainage is provided.

**Grates:** Constructed from 5/8" diameter A-36 steel bars for support handles, and 1/2" diameter A-36 steel bars spaced 1-1/8" on centers to provide the grate surface.

**Utility Shelves:** are steel plates that bolt to the sides of the grill with (2) 3/8" X 3/4" Carriage Bolts

Warranty: 3 years



SCALE: N.T.S.	<b>SPECIFICATION / INSTALLATION INSTRUCTIONS</b>
DATE: 3/14/16	1140 SERIES GRILLS
DRAWN: RD	
REV: 03/02/21	
SHEET: 1 of 2	<b>1140-10</b>

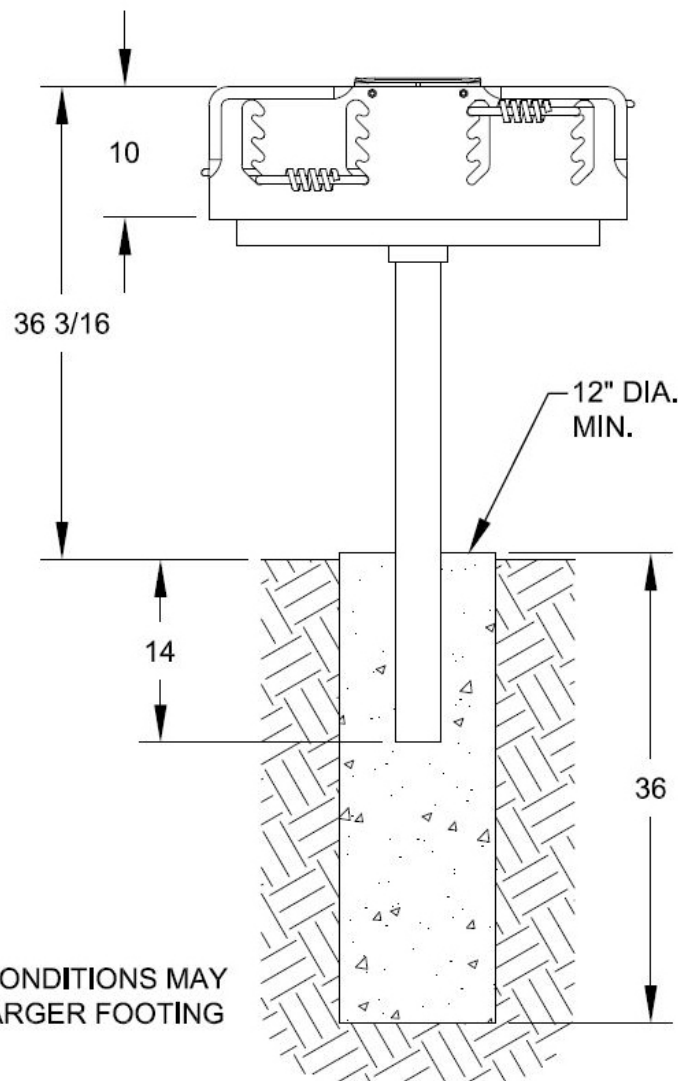
# SITE FURNISHINGS

## **INSTALLATION:**

*Dig hole per footing detail. Take the end of the post base that has 2 holes in it and place the opposite end into the center of the hole and shim from below. Plumb the post and pour concrete up to within 2" of finish grade for field install or to finish grade. Allow concrete to set for 3 days before removal of bracing and completion of installation. Cover footing with turf.*

*Install the grill on the post base. Line up the holes in the grill swivel mechanism with the holes in the post base. Insert the locking pin provided through the aligned holes leaving an equal length of pin protruding from each side of the swivel mechanism. Rotate the grill one complete turn the locking pin will be bent and drawn into the swivel mechanism to lock the grill onto the post base.*

*For single grill shelf, attach to bottom base of the grill with three (3) 3/8" x 3/4" Carriage Bolts with the heads on the inside grill.*



**NOTE:**  
LOCAL SOIL CONDITIONS MAY  
REQUIRE A LARGER FOOTING



SCALE: N.T.S.	<b>SPECIFICATION / INSTALLATION INSTRUCTIONS</b>
DATE: 3/14/16	1140 SERIES GRILLS
DRAWN: RD	
REV: 03/02/21	
SHEET: 2 of 2	<b>1140-10</b>