

SITE FURNISHINGS

- MODEL #1150** LITTER RECEPTACLE W/ RECYCLED PLASTIC PLANKS (107 LBS)
MODEL #1150-SL W/ FLAT STEEL LID (8 LBS)
MODEL #1150-PL W/ PLASTIC DOME LID (10 LBS)
MODEL #1150-SM W/ SURFACE MOUNT OPTION (6 LBS)

SPECIFICATIONS:

- FRAME:** 1/4" STEEL BAR
- PLANKS:** RECYCLED 2" x 4" HDPE PLASTIC.
(Nominal 1-3/4" x 3-1/2")
- HARDWARE:** ALL HARDWARE IS STAINLESS STEEL.
- LID:** FLAT STEEL WITH 8" OPENING.
- WARRANTY PERIOD:** 3 YEARS

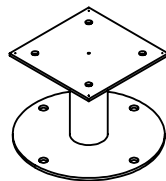
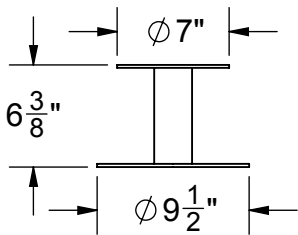
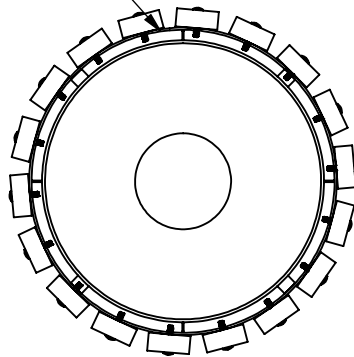
INSTALLATION:

- Attach recycled plastic slats with 3/8" x 2-1/4" Carriage Bolts provided.
- Using a 3/8" x 1" Hex Bolt, secure pedestal to the litter receptacle base sub assembly.
- The cable is looped through the small hole in the lid, then the ferrel and stop get put on. We make a loop on the other end, and use one of the screws that hold the recycle in place to attach the other end of the cable to

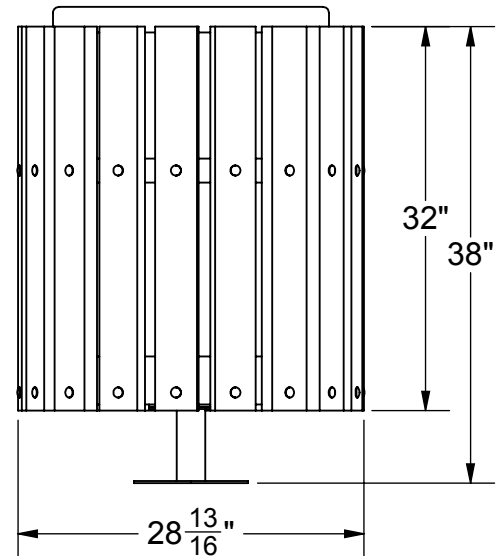


FOR POWDER COAT COLORS AND RECYCLED PLASTIC COLORS SEE PAGES IN PATTERSON-WILLIAMS CATALOG

23-1/2" Inside Clearance



M3 SURFACE MOUNT



SURFACE MOUNTING IS STANDARD, & HARDWARE TO MOUNT IS NOT INCLUDED.

(NOTE: RECEPTACLE MAY BE ANCHORED. ANCHORING HARDWARE NOT INCLUDED.)



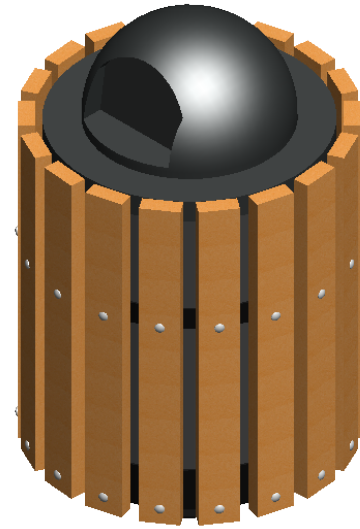
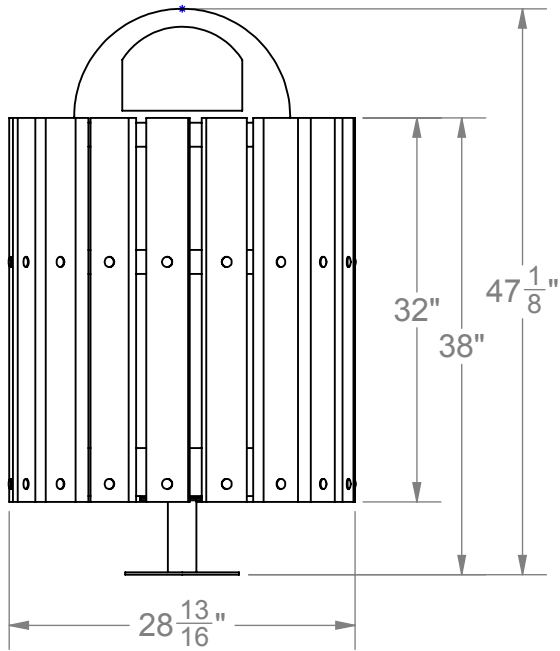
Date: 9/14/2015
 Rev: 2/22/17
 Drawn: MT
 Sheet: 1 of 2

SPECIFICATION/INSTALLATION INSTRUCTIONS

1150 SERIES LITTER RECEPTACLE

MODEL NO.

1150 LITTER RECEPTACLE



**1150-PL
PLASTIC DOME LID**




**1150-SL
STEEL LID**

Component Description	Qty
2" x 4" x 32" RCP	18
Top Ring painted	1
Base Ring	1
Post assembly M3	1
Steel Flat Lid / Dome Lid	1
18" Lid attachment Cable	1
32 Gal. Plastic Liner	1
3/8" x 2-1/4" Carriage Bolts	36
3/8" x 1" Hex Bolts	4
3/8" Split Washer	40
3/8" Hex Nut	40

Two optional lids are available including Model #SL which is a flat top steel lid measuring 23-3/4" O.D. with an 8" diameter opening in the center, and is available in any of our 16 powder coat colors. The other option is a Model #PL which is a molded plastic dome lid measuring 24" I.D. with a spring door. This model is also available in a variety of color options.

(NOTE: RECEPTACLE MAY BE ANCHORED. ANCHORING HARDWARE NOT INCLUDED.)

	Date: 9/14/2015	SPECIFICATION/INSTALLATION INSTRUCTIONS
	Rev: 2/22/17	1150 SERIES LITTER RECEPTACLE
	Drawn: MT	MODEL NO.
	Sheet: 2 of 2	1150 LITTER RECEPTACLE