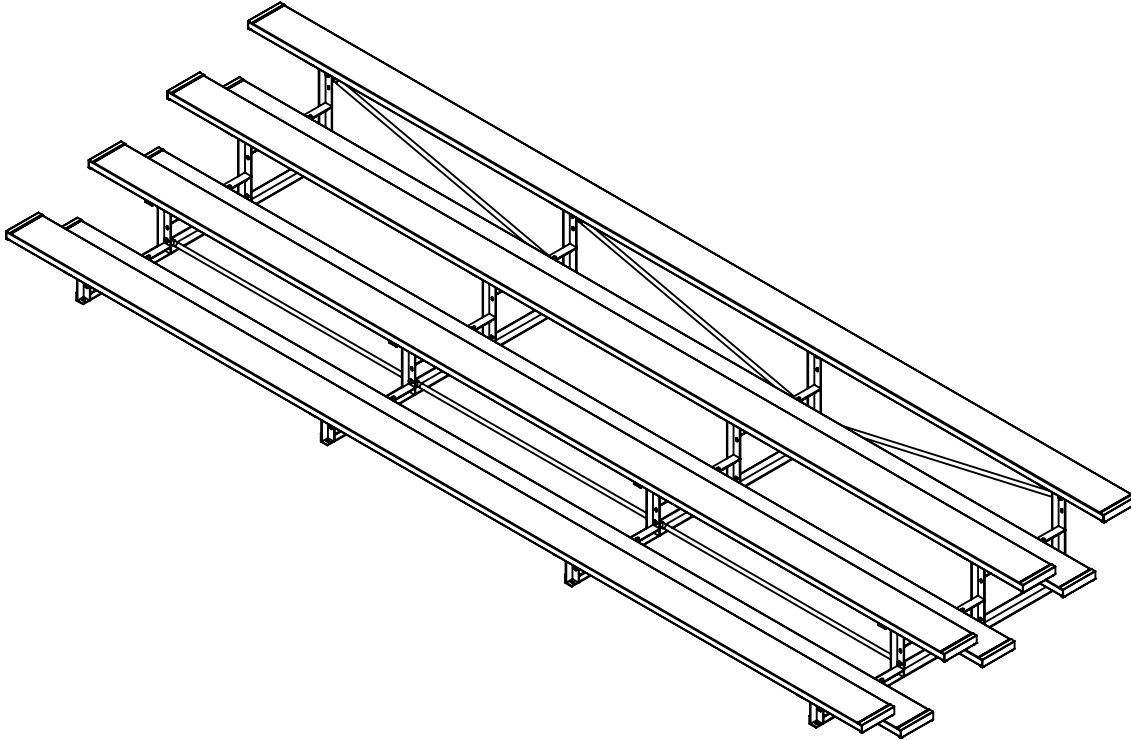


STANDARD 4-ROW 21' BLEACHER

MODEL 1171-421G 4-ROW 21' STEEL

MODEL 1171-421A 4-ROW 21' ALUMINUM

Standard Series designed for dependability and trouble-free maintenance. Featuring 6" rise from row to row with nominal 10" aluminum planks and optional 2" x 6" ground sills



SPECIFICATIONS:

Bleacher Frames are fabricated from 2" x 2" x 3/16" steel or aluminum angle. Frames are welded into a single unit. Frames may have optional 2" x 6" ground sills at every point where frames are in contact with the ground.

Standard Series Bleachers conform to the requirements of ICC 300-2012.

Seat and Foot Planks: Nominal 2" x 10" x 21' extruded, ribbed aluminum. The edges and tops of planks shall be ribbed. The ribbed pattern, non-slip surface, is designed for safety and comfort. All exposed ends shall have aluminum caps fastened to the underside of the plank. Planks are secured to each frame with two friction-type aluminum mounting clips capable of securing the plank against movement under a horizontal force of 400 lbs. All hardware is provided.

Finish: All fasteners shall be zinc plated.



Date: 4/7/2021

Rev: A

Drawn: JBN

Sheet: 1 of 10

PRODUCT NAME

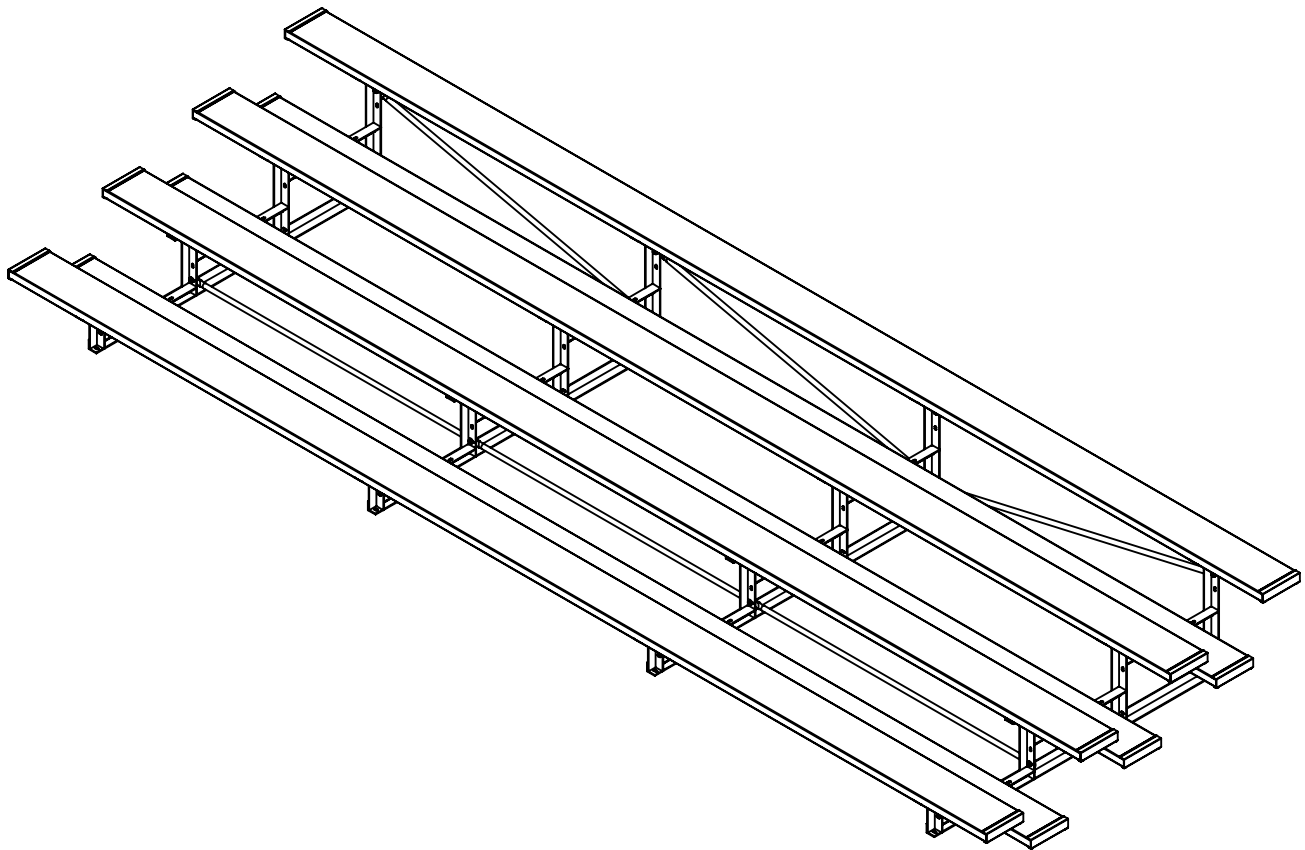
4 ROW STANDARD 21FT

MODEL NO.

1171-421

BOM PARTS & FASTENERS

ITEM NO.	PART NUMBER	DESCRIPTION	QTY.
1	ROW4A or ROW4G	BLEACHER 4-ROW STANDARD FRAME	4
2	CIBLB74.625	BLEACHER BRACE 74-5/8" LONG	6
3	RMPLK21-10	ALUMINUM PLANK ANODIZED 10"x 252"	7
4	CIBLB76.375	BLEACHER BRACE 76-3/8" LONG	3
5	VCIAECP	2"x10" ALUM. END CAP	14
6	VCIACLP	BOLT CLIP FOR 10" & 12" ALUMINUM PLANK	56
7	HWCB5161	5/16-18 X 1 CARRIAGE BOLT GRADE 2 ZINC	56
8	HWLN516	5/16 NYLOK NUT ZINC	56
9	HWFLWA516	5/16 FLAT WASHER	56
10	HWHB38112	3/8" HEX BOLT 1-1/2" LONG	13
11	HWFLWA38	3/8" Flat Washer	26
12	HWLN38	3/8 NYLOK NUT ZINC	13
13	HWTEX1034	#10 x 3/4 SELF TAPPING SCREW	28



Date: 4/7/2021

Rev: A

Drawn: JBN

Sheet: 2 of 10

PRODUCT NAME

4 ROW STANDARD 21FT

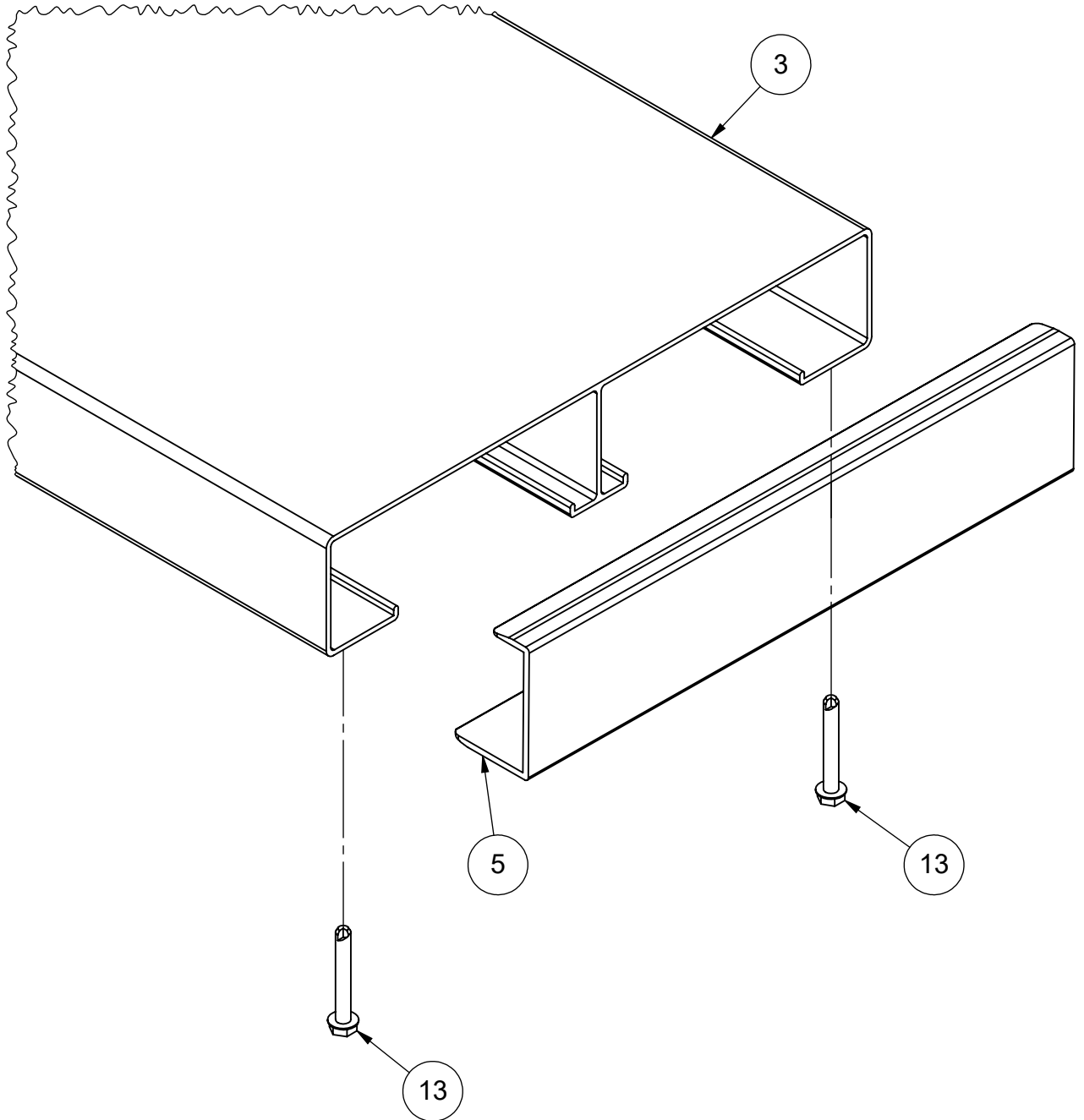
MODEL NO.

1171-421

INSTALLATION INSTRUCTIONS:

1) Check materials received with the BOM to make sure that all components are included and to assure that the unit is complete.

2) Installing End Caps Item on Seat and Foot Planks: 2" x 10" end caps Item (5) . Align and assemble all end caps to aluminum planks. Secure using #10 x 3/4" Item (13) self-tapping screw in two locations on the underside of the clip/plank.



Date: 4/7/2021

Rev: A

Drawn: JBN

Sheet: 3 of 10

PRODUCT NAME

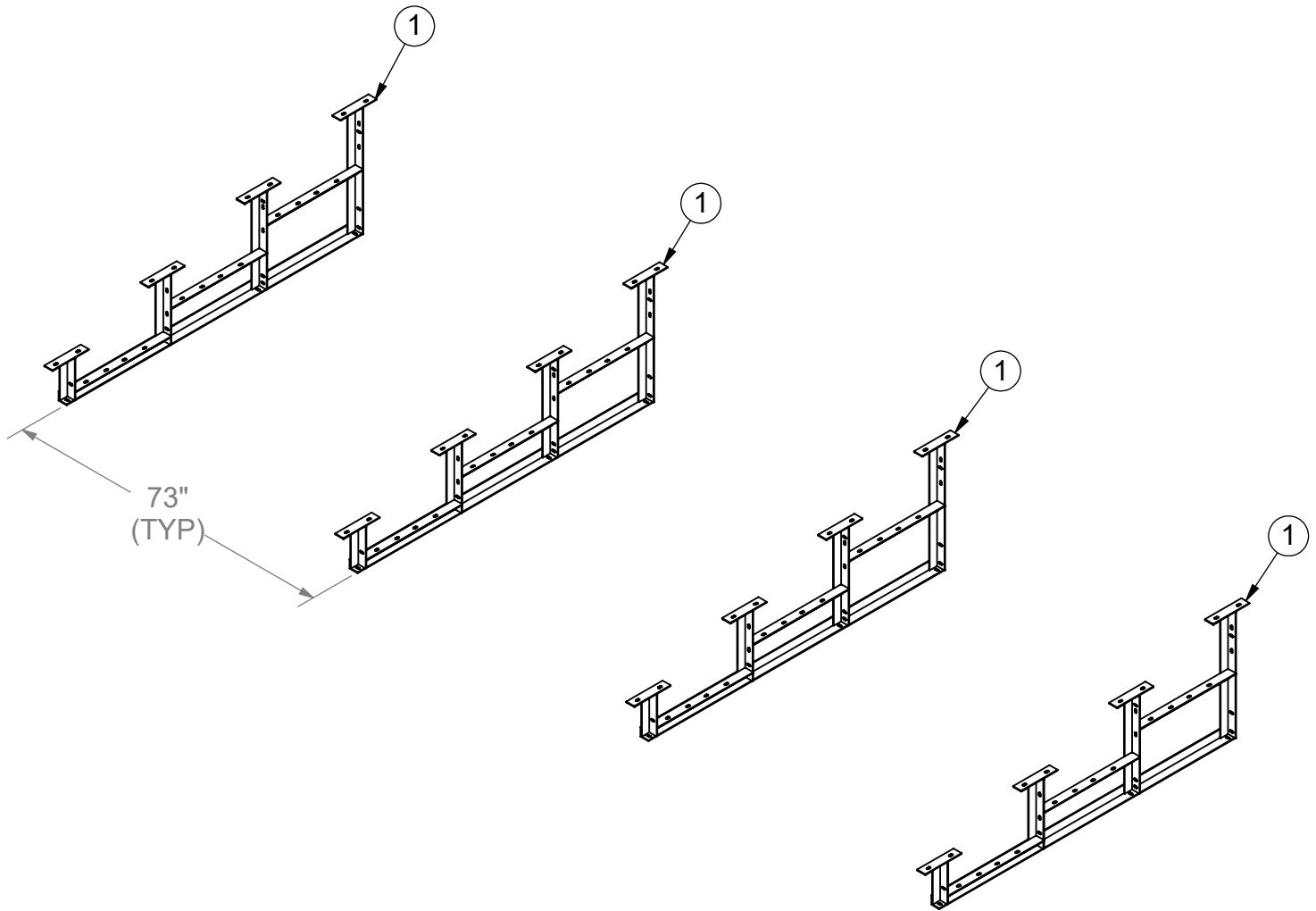
4 ROW STANDARD 21FT

MODEL NO.

1171-421

INSTALLATION INSTRUCTIONS:

3) Locate the four Bleacher 4-Row Standard Frame Item ① and set on a level surface on 73" centers.



Date: 4/7/2021

Rev: A

Drawn: JBN

Sheet: 4 of 10

PRODUCT NAME

4 ROW STANDARD 21FT

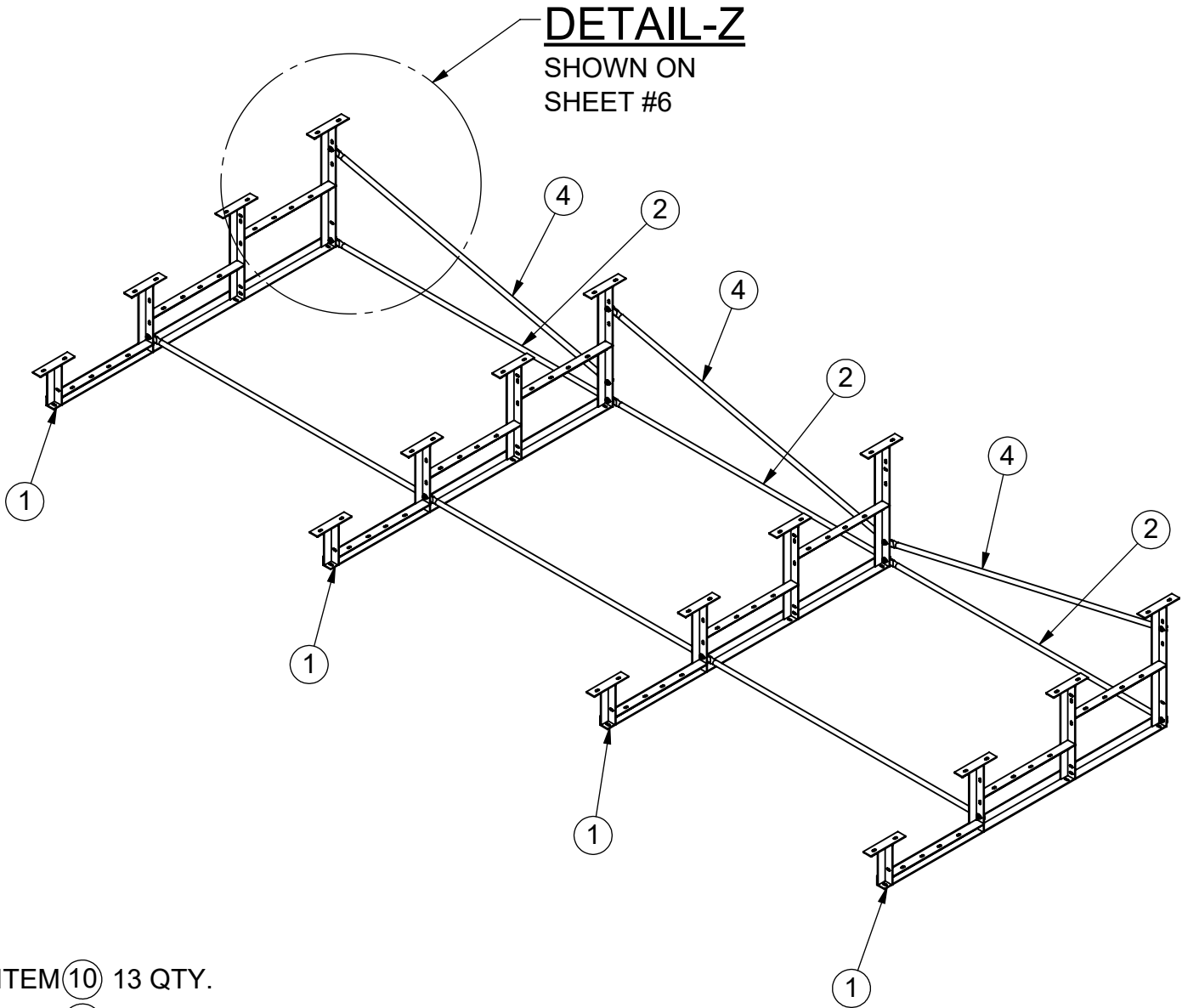
MODEL NO.

1171-421

INSTALLATION INSTRUCTIONS:

4) To Install Cross Braces: a) Locate six horizontal braces measuring 74-5/8" (2) and three diagonal braces measuring 76-3/8" (4). Install on the backside of the Bleacher Frames using 3/8" x 1-1/2" Hex Bolt Item (10), Washers Item (11), and Lock Nut Item (12) provided using the top and bottom slots in the frame and center of Braces as shown. Repeat steps to assemble remaining sets of cross braces to the other bleacher frames. At all installation points, install washers and nuts but leave hardware loose until assembly is complete for easy installation.

NOTE: Two washers are provided to use at every hex bolt location.



ITEM (10) 13 QTY.

ITEM (11) 26 QTY.

ITEM (12) 13 QTY.



Date: 4/7/2021

Rev: A

Drawn: JBN

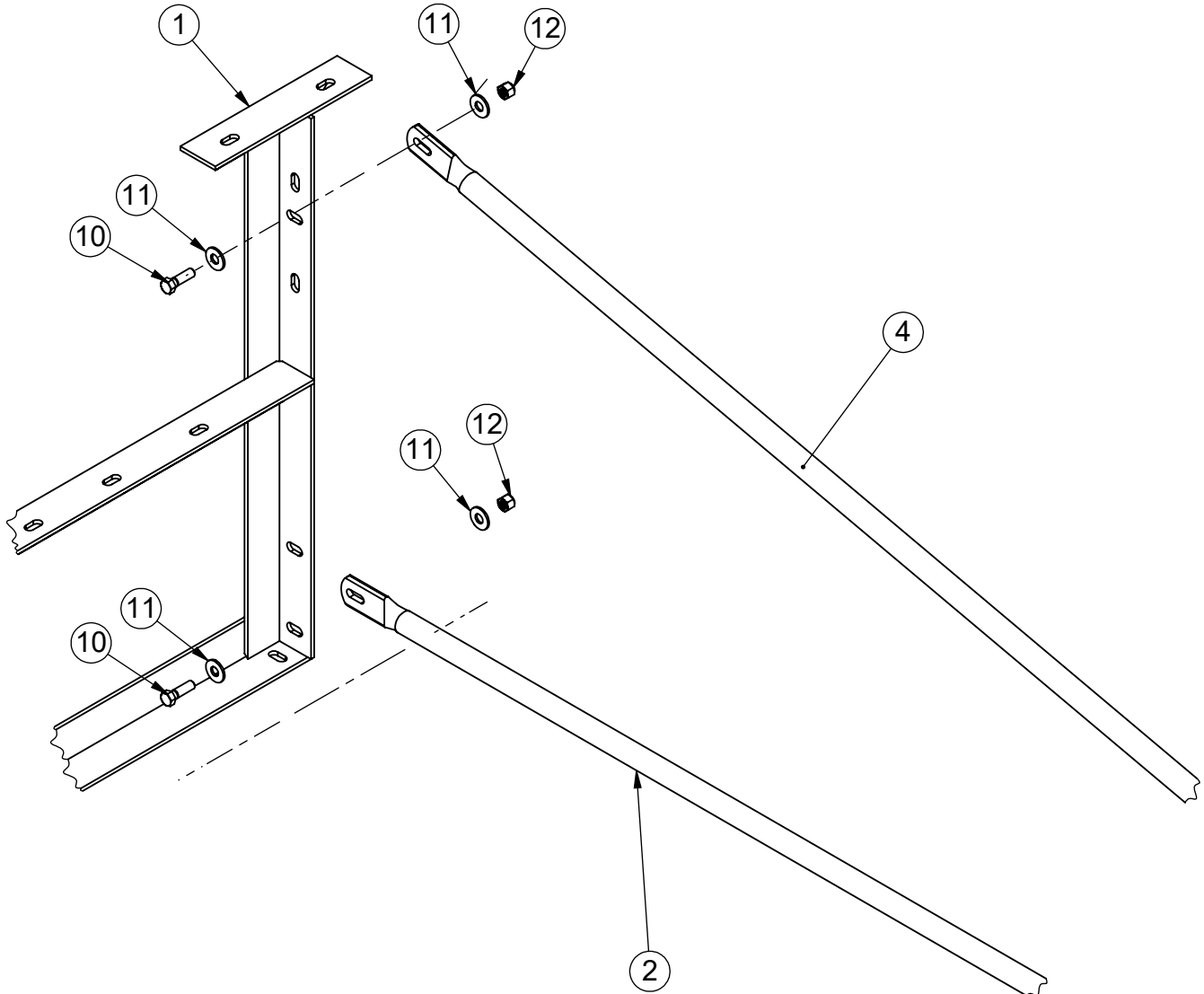
Sheet: 5 of 10

PRODUCT NAME

4 ROW STANDARD 21FT

MODEL NO.

1171-421



DETAIL-Z
 ENLARGED
 FROM SHEET #5



Date: 4/7/2021
 Rev: A
 Drawn: JBN
 Sheet: 6 of 10

PRODUCT NAME

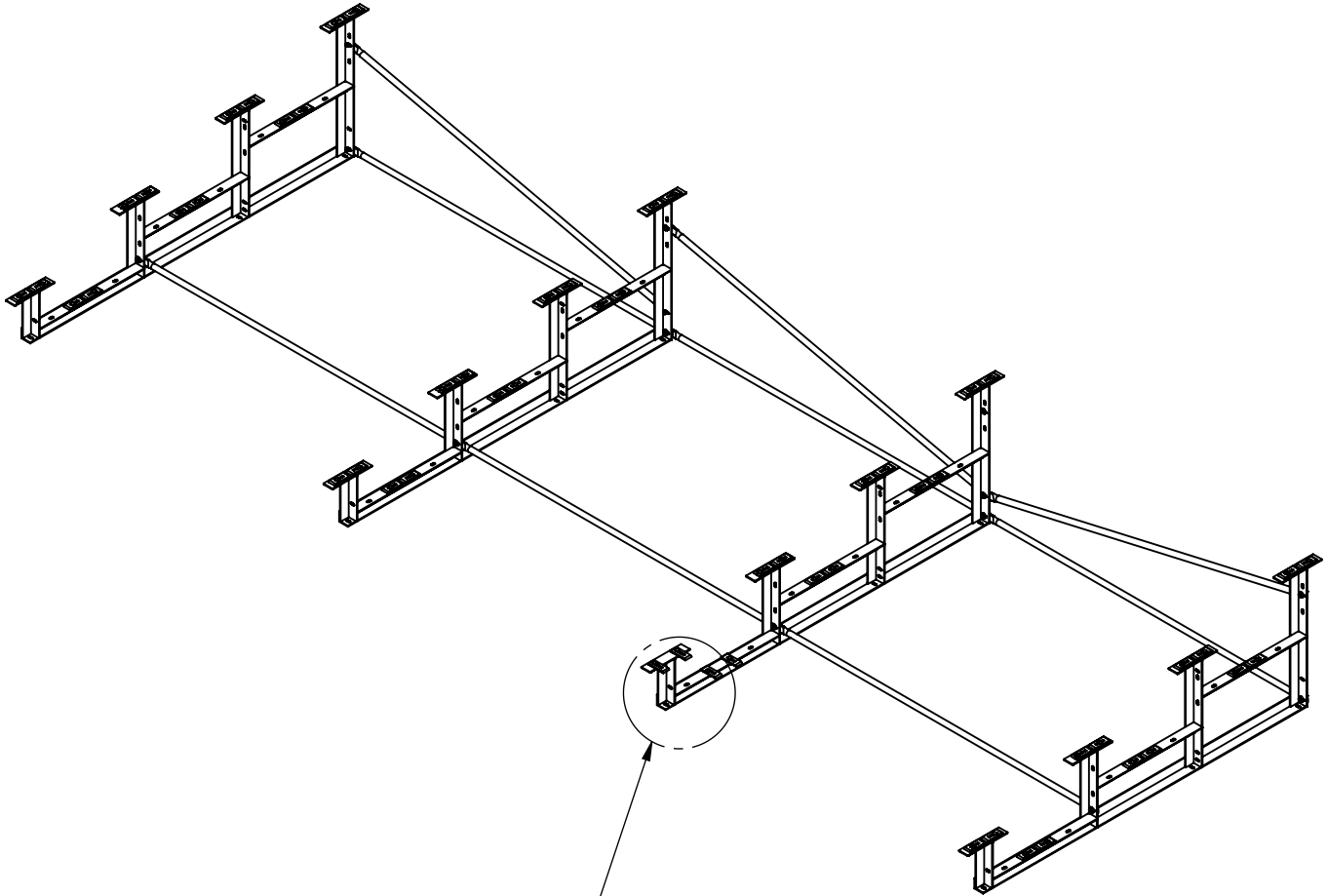
4 ROW STANDARD 21FT

MODEL NO.

1171-421

INSTALLATION INSTRUCTIONS:

5) To Install Seat and Foot Planks: a) First install the Bolt Clip For 10" & 12" Aluminum Plank Item (6) using 5/16" x 1" carriage bolts Item (7), washer Item (8), and lock nuts (9) on top of the seat and foot board supports. Give nuts about 3/4 turn (just enough to secure). Turn Bolt Clips Item (6) perpendicular to the frames.



DETAIL-Y

SHOWN ON
SHEET #8



Date: 4/6/2021

Rev: A

Drawn: JBN

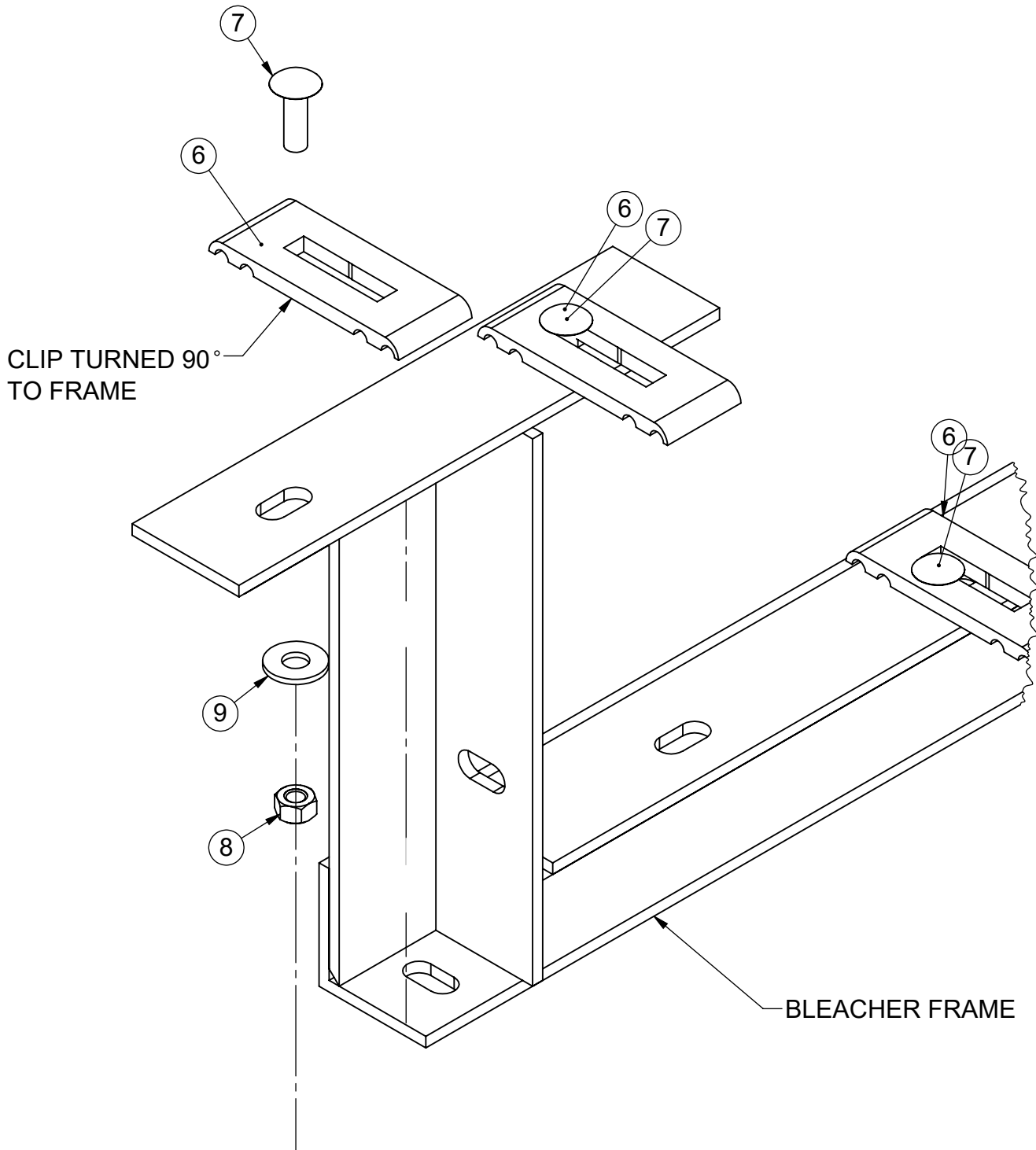
Sheet: 7 of 10

PRODUCT NAME

4 ROW STANDARD 21FT

MODEL NO.

1171-421



DETAIL-Y
 ENLARGED
 FROM SHEET #7



Date: 4/7/2021

Rev: A

Drawn: JBN

Sheet: 8 of 10

PRODUCT NAME

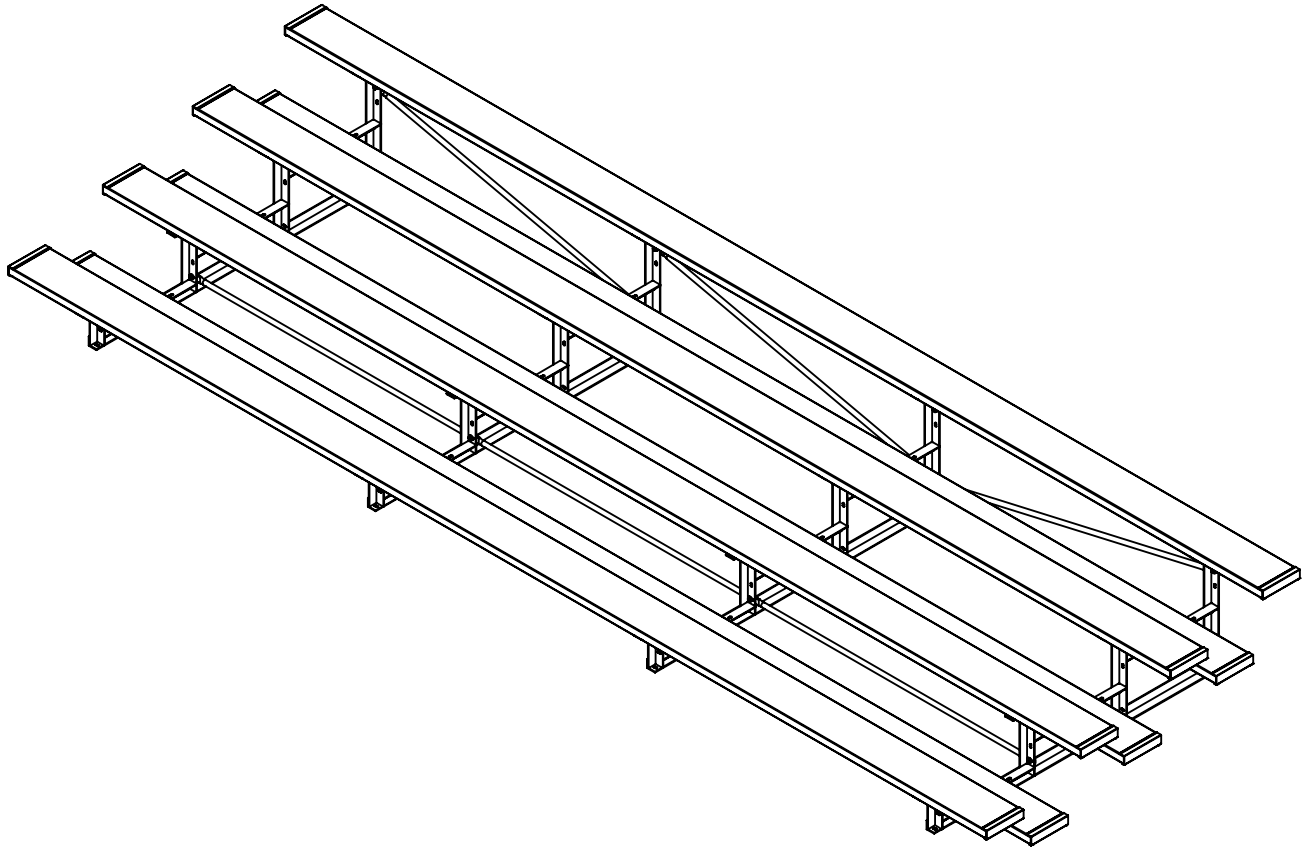
4 ROW STANDARD 21FT

MODEL NO.

1171-421

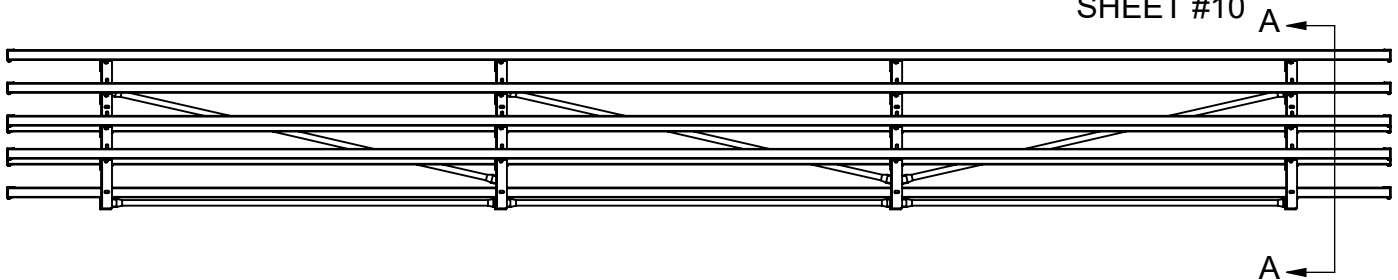
INSTALLATION INSTRUCTIONS:

6) Position seat Planks and Foot Planks on the supports so the Bolt Clips Item (6) are between the slots in the bottom of Planks. Reach up underneath the Seat Plank, Foot Plank, and Riser Plank to rotate the Bolt Clips Item (6) to 90° so they engage the planks. To Secure Planks to Frames center planks on frames (1). Tighten all hardware on frames and planks securely.



SECTION A-A

SHOWN ON
SHEET #10



FRONT VIEW



Date: 4/7/2021

Rev: A

Drawn: JBN

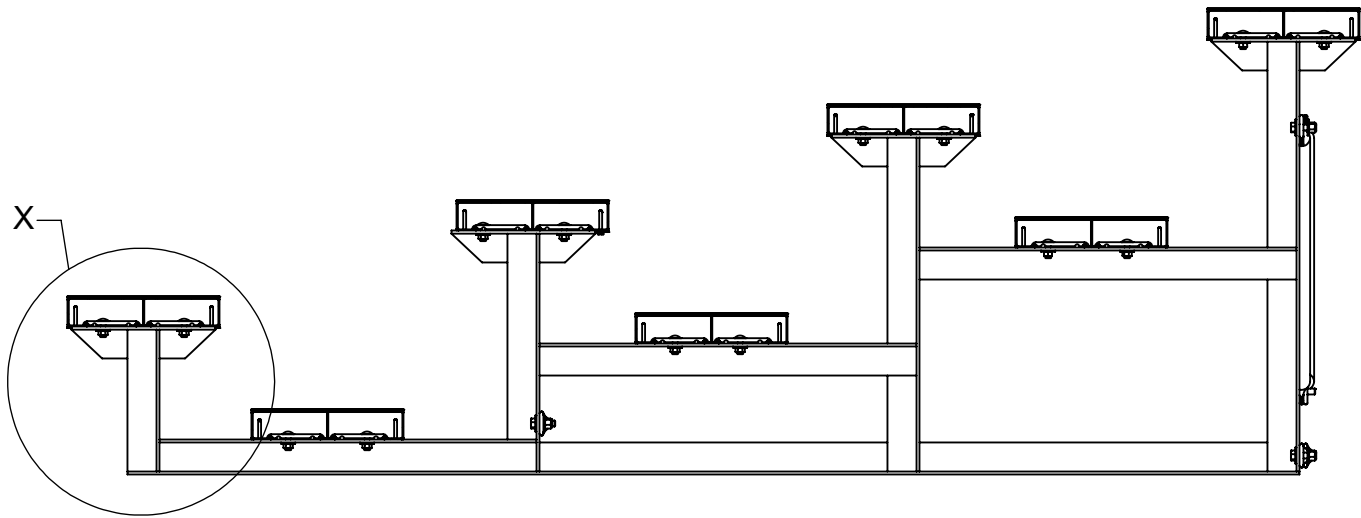
Sheet: 9 of 10

PRODUCT NAME

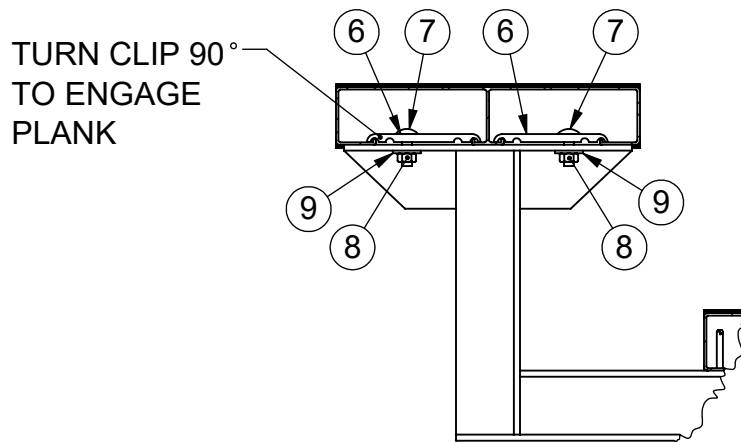
4 ROW STANDARD 21FT

MODEL NO.

1171-421



SECTION A-A



DETAIL X
ENLARGED



Date: 4/7/2021
 Rev: A
 Drawn: JBN
 Sheet: 10 of 10

PRODUCT NAME
4 ROW STANDARD 21FT
 MODEL NO.
1171-421