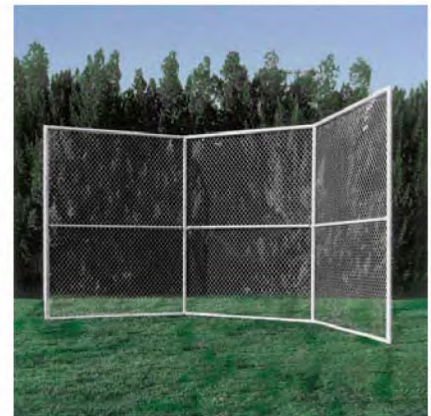
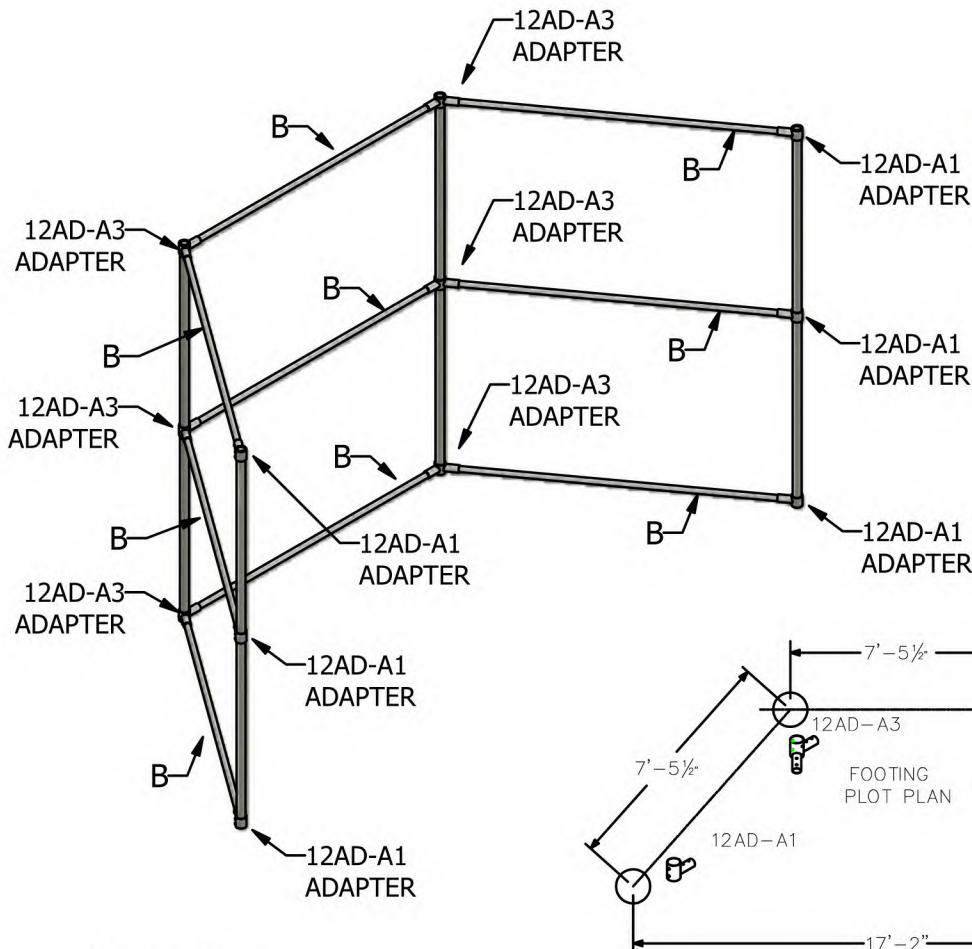


# PORTABLE NON-HOODED BACKSTOP

MODEL #1206-10 Portable Non-Hooded Backstop (560 lbs)

Frames Available  
Standard as:

Galvanized  
or  
Powder Coated



## Specifications:


**General:** A heavy duty, all galvanized steel backstop shipped unassembled with all parts and instructions necessary for quick assembly.

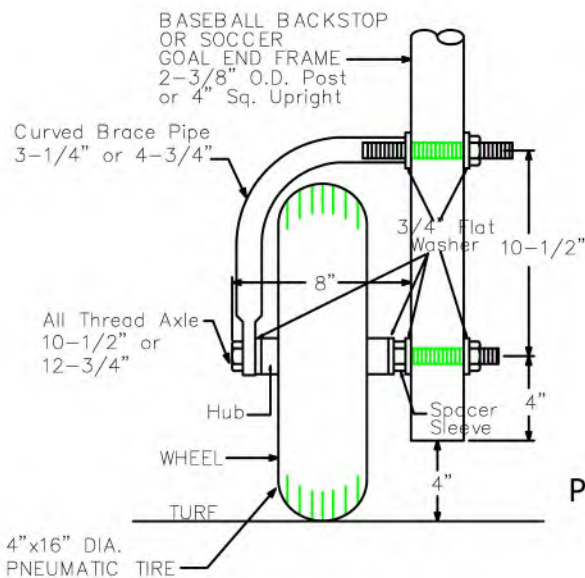
**Materials:** All pipe is galvanized steel. Vertical posts are 2-3/8" O.D. steel and have a welded cap on the top. All horizontal rails are 1-5/8" O.D. galvanized steel.

**Hardware:** Brace bands and tension bands are 14 gauge, galvanized steel formed to fit 2-3/8" OD pipe. Tension bars are 1/8" X 3/4" galvanized steel bars. All fasteners are zinc plated for long rust-free service.

**Chain Link Fabric:** Chain link fabric is 2" mesh X 9-gauge wires, galvanized weaving, with knuckled salvage edges.

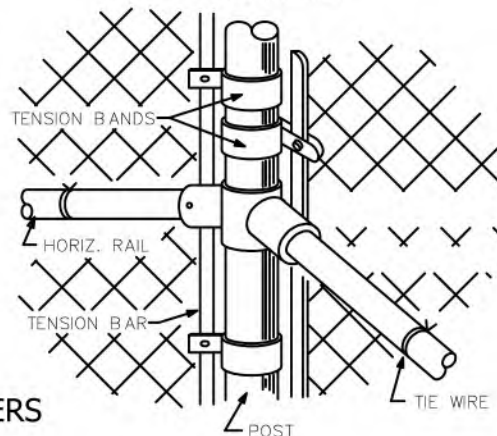
Warranty: 3 Years

 <p><b>Patterson-Williams</b> ATHLETIC MFG. CO. QUALITY ATHLETIC AND PARK EQUIPMENT SINCE 1919</p>	Date: 07-21-15	<b>SPECIFICATION/INSTALLATION INSTRUCTIONS</b>
	Rev: 07-21-15	
	Drawn: MT	MODEL NO.
	Sheet: 1 of 2	<b>MODEL NO. 1206-10</b>



PIPE ASSEMBLY ADAPTERS  
(SEE SHEET 1 OF 1)

## ATTACHMENT DETAIL



### Frame Installation

1. Determine location of backstop so the rear panel is perpendicular to a line running from 2nd base through home plate and so the wings are parallel with the sides of the diamond.

Model 8342 or 8343 (Transporter Wheels) The holes in the vertical posts to receive transporter wheels must be aligned so they are parallel to each other and the front opening of the backstop. Reverse position of vertical posts to align holes if necessary.

2. Install corner adapters (#2) onto rear vertical corner post and insert horizontal rails (B). (See detail on sheet 1) Use set screws provided to secure horizontal rails.

3. Install corner adapters (#1) on front corner post and insert horizontal rails (B). (See detail on sheet 1) Use set screws provided to secure horizontal rails.

4. Plumb post true vertical and brace. Tighten all hardware.

### Mesh Installation

1. Cut three pieces of mesh (2" X 9 ga X 10') 7-1/2' long each. Install between the vertical posts. Attach each piece of mesh using one 10' long tension bar on each side of the mesh along with tension bands and carriage bolts provided. Use tension bands on 18" to 20" centers. The mesh must be tight; remove one or two strands as necessary to achieve proper tension. (See Attachment Detail)

2. Secure the bottom of the mesh to the bottom horizontal rails with one length of tie wire every 12 inches. (See Attachment Detail)

3. Secure the top of the mesh to the top horizontal rails with one length of tie wire every 12 inches.

4. Secure the mesh to the middle horizontal rails with one length of tie wire every 12 inches.

5. Inspect backstop for loose hardware and tighten as necessary. Also look for sharp wires and either cut or turn back into the mesh. Replace turf around footings.

MATERIAL LIST	QTY
For Portable Installation:	
Vertical Post Assembly - (A) 2-3/8" O.D. x 10'	4
Horizontal Rail - (B) 1-5/8" O.D. x 7'	9
2-3/8" Tension Band	16
10' Tension Bar	6
5/16"-18 X 1" Carriage Bolt	16
2" x 9ga x 10' Wire Mesh - (ft)	25

MATERIAL LIST	QTY
5/16"-18 Hex Nut	16
5/16" Washers	16
Tie Wires (lb)	1
7/32 Drill Bits	2
3/8"-16 x 1/2" Set Screws	48
Adapter Fitting #12AD-A1	6
Adapter Fitting #12AD-A3	6



Date: 07-21-15

Rev: 07-21-15

Drawn: MT

Sheet: 2 of 2

## SPECIFICATION/INSTALLATION INSTRUCTIONS

NON-HOODED BACKSTOP - PORTABLE

MODEL NO.

**MODEL NO. 1206-10**