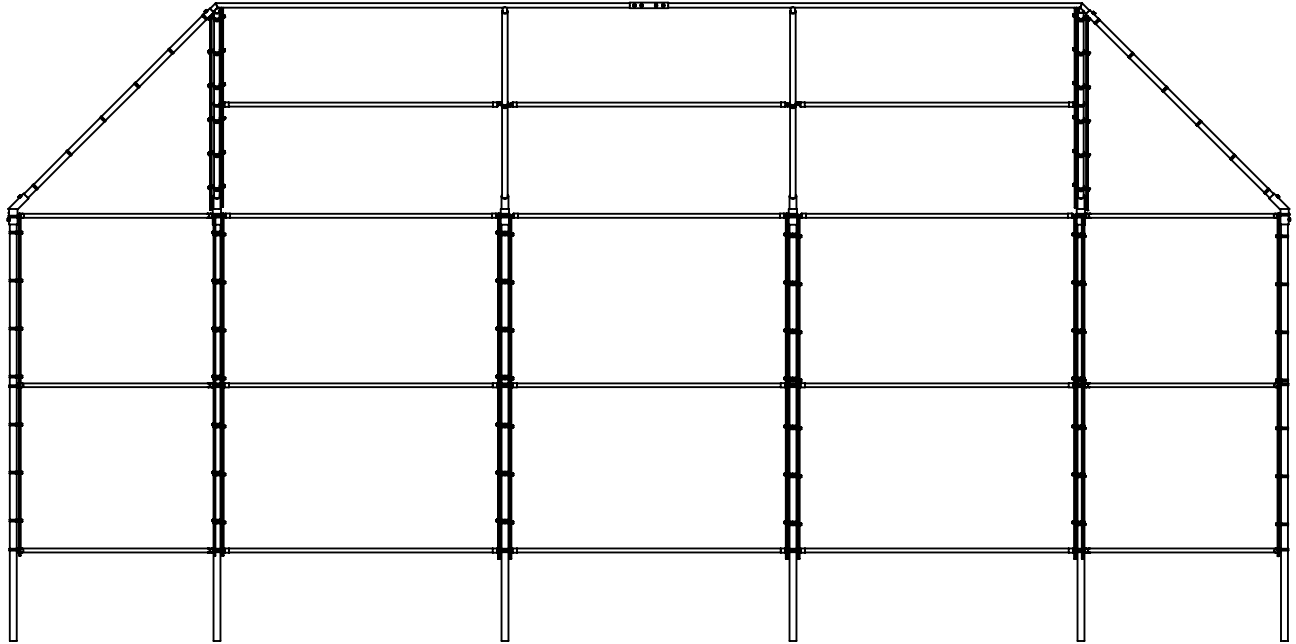


PERMANENT HOODED BACKSTOP INSTALLATION INSTRUCTIONS MODEL #1234-00



Description: A heavy duty backstop shipped unassembled with all parts and instructions for quick assembly.


Materials: All pipe and fittings are galvanized steel. Sizes given are outside diameter and exposed ends are capped.

Specifications


Vertical Posts
Horizontal Rails
Top Hood Rails
Hood Angle Posts

Size

2-7/8"
1-5/8"
1-7/8"
2-3/8"

	Date: 3/3/23	PRODUCT NAME HOODED BACKSTOP
	Rev:	
	Drawn: CW	MODEL NO.
	Sheet: 1 of 7	1234-00-SPEC

ITEM NO.	PART NUMBER	DESCRIPTION	QTY.
1	RT-001-1234-180-G	LEG POST 2-7/8" DIA. x 11GA	6
2	CI12ELB1	HOODED BACKSTOP ELBOW FITTING	6
3	ASA-0501-1230-G	HOOD ANGLE ϕ 2-3/8" ASSEMBLY	6
4	ASA-0502-1234-G	HOOD CROWN ASSEMBLY	1
5	ASA-0503-1234-G	HOOD CROWN ASSEMBLY	1
6	ASA-0505-1234-G	CENTER JOINT SLEEVE ASSEMBLY	1
7	RT-003-1234-112.5-G	STIFFENER 1.625 DIA.	13
8	VCIBB35	3-1/2" BRACE BAND	10
9	VCIRAILEND158	1-5/8 ID RAIL END	36
10	VCIBB278	2-7/8" BRACE BAND	20
11	HWCB5161	5/16"-18 x 1" CARRIAGE BOLT	142
12	HWFLWA516	5/16" USS FLAT WASHER	142
13	HWLN516	5/16"-18 LOCK NUT	142
14	HWSC581	5/8" SS SET SCREW	22
15	RT-008-1234-112-G	STIFFENER 1.625 DIA.	5
16	VCITBAR12	12' x 3/4" TENSION BAR (142")	10
17	VCITEN278	2-7/8" TENSION BAND	70
18	VCITEN238	2-3/8" TENSION BAND	36
19	VCITBAR10	10' x 3/4" TENSION BAR (118")	6
20	VCIBB238	2-3/8" BRACE BAND	6
21	RMMESHGA21110	2" x 11GA x 10' GAL MESH	50'
22	RMMESHGA2912	2" x 9GA x 12' GAL MESH	50'
23	VCITIEWIRE	TIE DOWN WIRE 10-1/2" x 12GA WITH HOOK	222

	Date:	3/3/23	PRODUCT NAME
	Rev:		HOODED BACKSTOP
	Drawn:	CW	MODEL NO.
	Sheet:	2 of 7	1234-00-SPEC

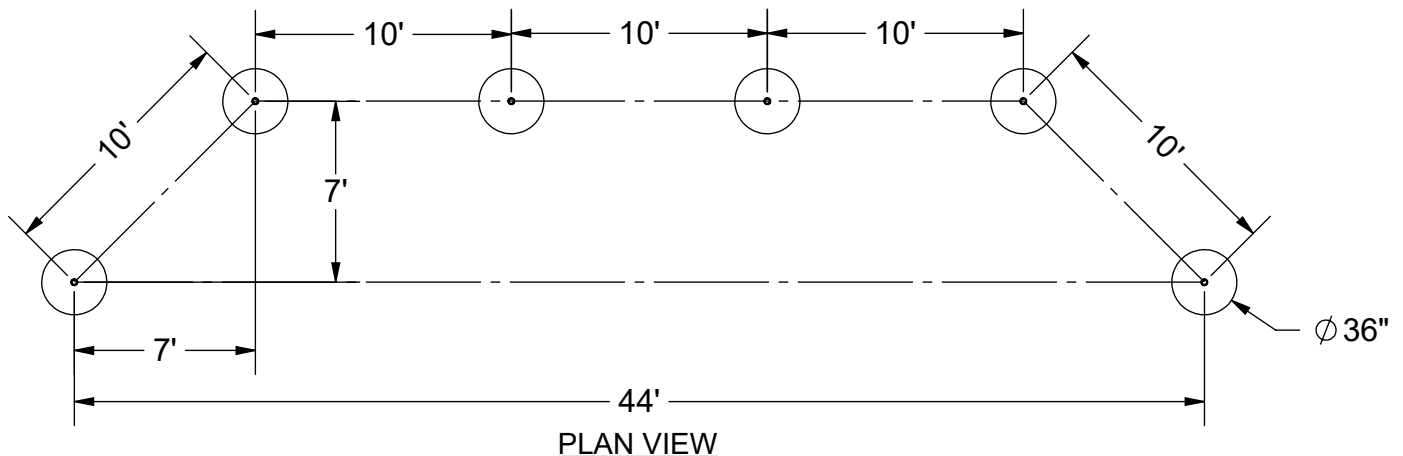
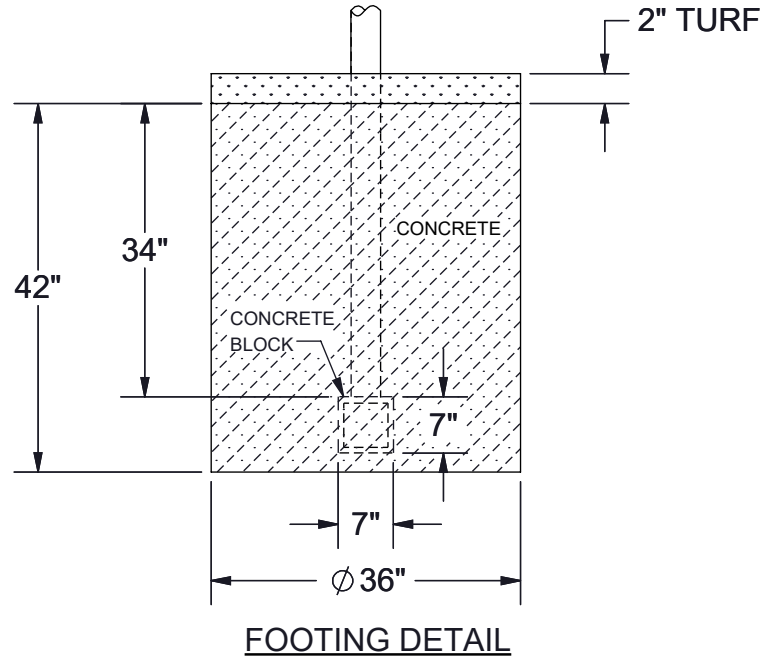
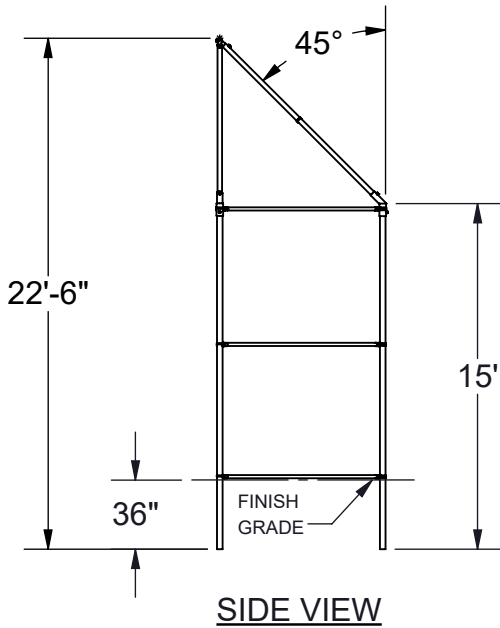
FOOTING DETAIL

- 1) Determine the location of the backstop so the rear panel is perpendicular to a line running from 2nd base through home plate and the wings are parallel with the sides of the diamond.
- 2) Dig holes according to Footing Plan below and Footing Detail. Place all the posts in the holes resting on the blocks. Each post shall be 12'-0" above ground and 10'-0" on center. Place a horizontal stiffener on the ground between each of the posts. Place a rail end fitting on each end of the stiffeners. Place a brace band over each post adjacent to each rail end fitting. Bolt the rail end fitting to the corresponding brace band. Make sure the horizontal stiffeners fit into the rail end fittings at least 1".

NOTE: All carriage bolt heads are facing the playing field.

- 3) With the proper spacing established, plumb all the posts and pour the concrete footings up to 2" of finish grade and let set for three days before removal of bracing.

NOTE: Footing sizes are based on the assumed soil bearing pressures from IBC 1807.

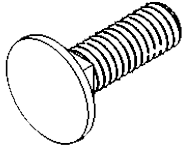


FOOTING DIMENSIONS ONLY

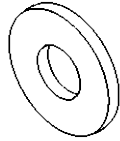
<p>ATHLETIC MFG. CO.</p>	Date: 3/3/23	PRODUCT NAME
	Rev:	HOODED BACKSTOP
	Drawn: CW	
	Sheet: 3 of 7	MODEL NO.

INSTALLATION INSTRUCTIONS

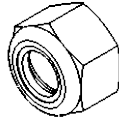
4) Check materials received with the BOM to make sure that all components are included and to assure that the unit is complete.



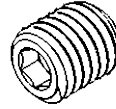
HWCB5161



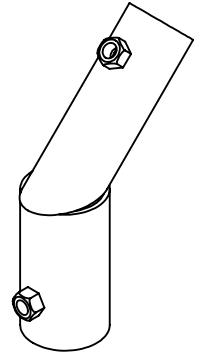
HWFLWA516



HWLN516



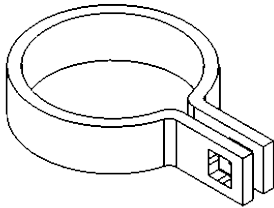
HWSC581



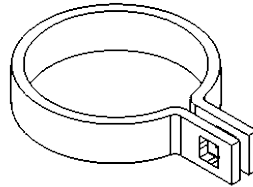
CI12ELB1



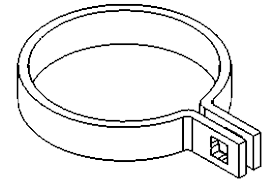
VCITBAR10/VCITBAR12



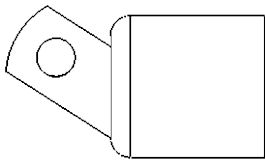
VCIBB238



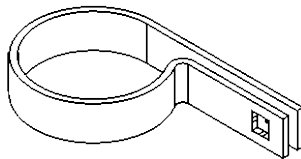
VCIBB278



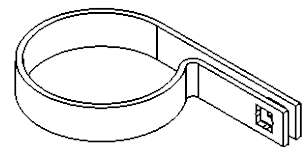
VCIBB35



VCIRAILEND158



VCITEN238



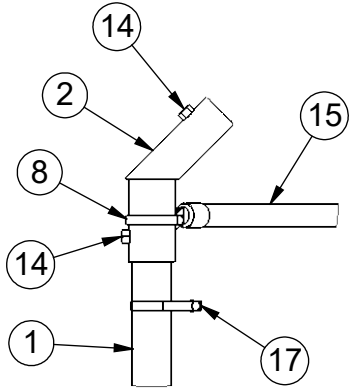
VCITEN278



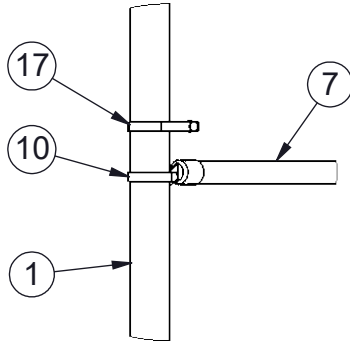
Date:	3/3/23	PRODUCT NAME
Rev:		HOODED BACKSTOP
Drawn:	CW	MODEL NO.
Sheet:	4 of 7	1234-00-SPEC

INSTALLATION INSTRUCTIONS

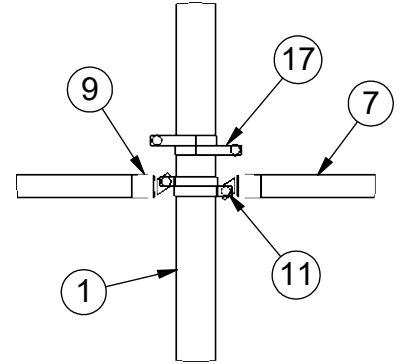
5) Put the entire Backstop together, starting at the top and working from left to right.
 Slide the Brace Bands (8) (10), Tension Bands (17) and Hooded Backstop Elbow Fittings (2) onto the vertical posts.



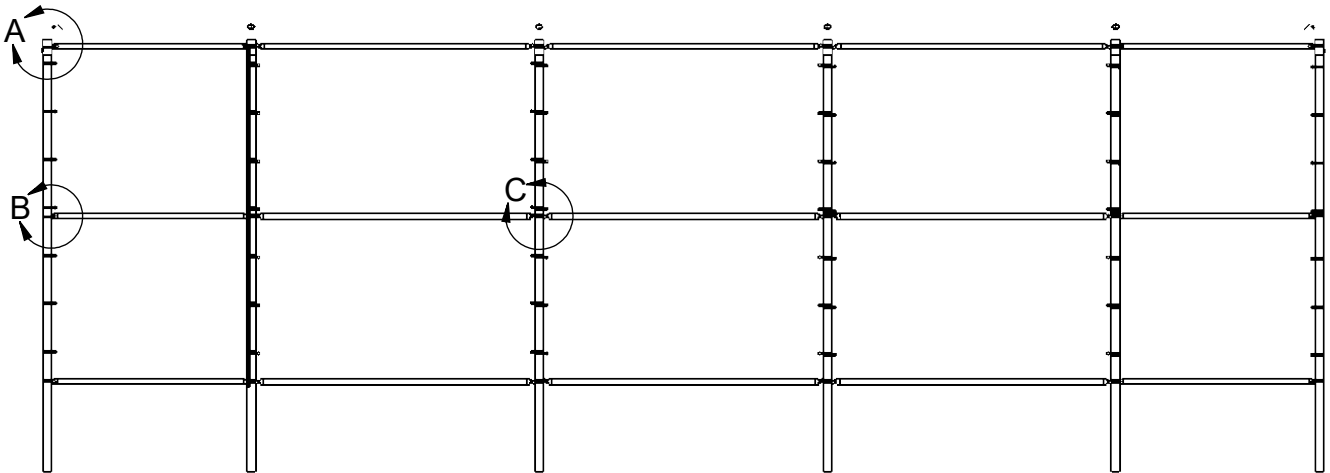
DETAIL A



DETAIL B



DETAIL C



FRONT VIEW
 POSTS AND HORIZONTAL RAILS

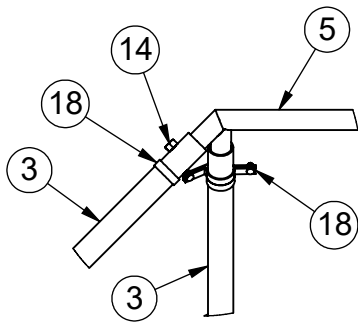


Date: 3/3/23
 Rev:
 Drawn: CW
 Sheet: 5 of 7

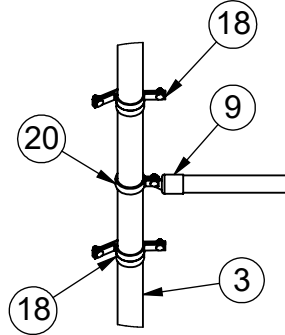
PRODUCT NAME
HOODED BACKSTOP
 MODEL NO.
1234-00-SPEC

INSTALLATION INSTRUCTIONS

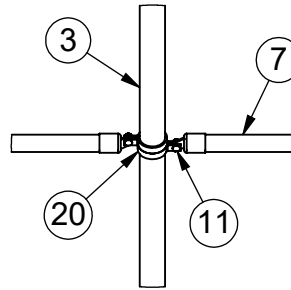
- 6) Start building the hood by working from left to right. Slide 2-3/8" Tension Bands (18) onto the Hood Angle Assemblies (3) with (6) on the outer angle and (12) on the inner angle, repeating for the right side. Install 2-3/8" Brace Bands (20) onto the Hood Angle Assemblies as shown in Details E and F as well as the other two Hood Angle Assemblies. Install the Stiffeners as shown below. Stiffeners use 2-3/8" Brace Bands, 1-5/8" Rail Ends with 5/16"-18 x 1" Carriage Bolts, 5/16" Flat Washers and 5/16" Lock Nuts.
- 7) Install Hood Crown Left Assembly (5) and Hood Crown Right Assembly (4) by sliding the Center Joint Sleeve (6) onto the Hood Crown Right Assembly. Slide the six stubs into the six Hood Angle Assemblies. Slide the Center Joint Sleeve (6) to the middle of the Hood Crown Assemblies and tighten 5/8" set screws.



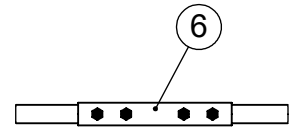
DETAIL D



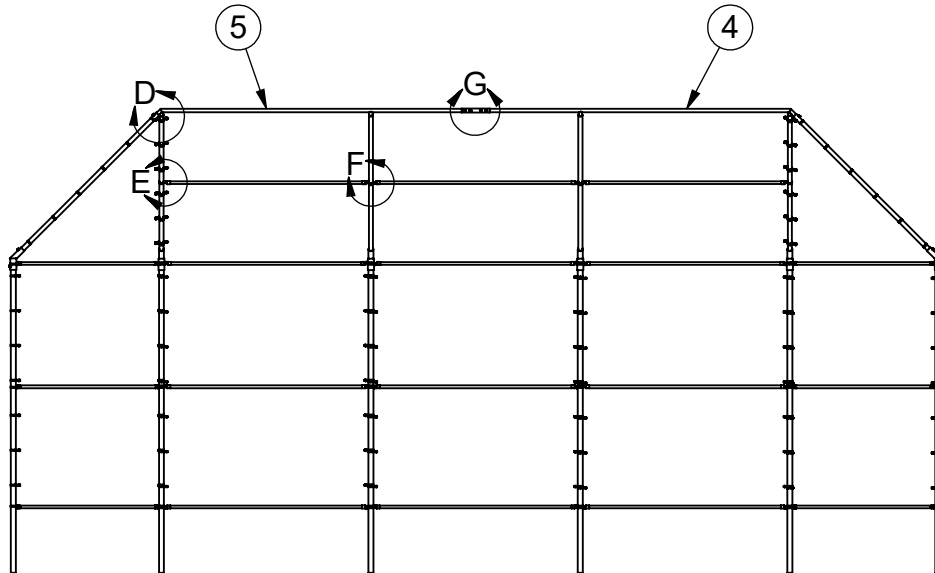
DETAIL E




DETAIL F



DETAIL G




FRONT VIEW
HOOD ASSEMBLY

 <p>ATHLETIC MFG. CO.</p>	Date: 3/3/23	PRODUCT NAME
	Rev:	HOODED BACKSTOP
	Drawn: CW	MODEL NO.
	Sheet: 6 of 7	1234-00-SPEC

INSTALLATION INSTRUCTIONS

MESH INSTALLATION: Separate the wire mesh as the heavier material (9 GA) is to be used along the rear panel and the wings while the lighter material (11 GA) is to be used on the hood. The mesh is cut to the approximate size and shipped in rolls.

1. Cut five pieces of (9 GA x 12' mesh) 10 feet wide to be installed between the vertical posts of the rear panel and the wings. Attach each piece of mesh using one 12 foot tension bar on each end of the mesh along with tension bands and bolts provided. Use tension bands on 18 to 20 inch centers. The mesh must be tight; remove strands as necessary to achieve the proper tension.
2. Secure the mesh to the top, center and bottom of the horizontal rails with tie wires every 12 inches.
3. Cut one piece of (11 GA x 10' mesh) 30' wide. Attach the mesh to the rear of the hood panel using one tension bar on each end of the piece along with tension bands and hardware provided. Tension bands should be used on 18 to 20 inch centers. The mesh must be tight; remove strands as necessary to achieve the proper tension.
4. Secure the mesh to the top, center and bottom of the horizontal rails of the hood supports with tie wires every 12".
5. Cut two 10' long pieces of 11 GA mesh into two triangles to cover the remainder of the hooded area. Use the hood as a template.
6. Install two 10' tension bars in each triangular mesh piece along the two edges where the wire ends are NOT twisted together (knuckled salvage edge). Attach the mesh in the corners of the hood so the edge of the mesh without the tension bar is along the horizontal rail. Use tension bands on 18" to 20" centers to secure to the hood supports. The mesh must be tight; remove one to two strands as necessary to achieve the proper tension.
7. Pull the bottoms of each triangular mesh piece tight and secure with tie wires every 8" to the horizontal rails.
8. Inspect for loose hardware and tighten as necessary. Also look for sharp wires and either cut or turn back into the fabric as necessary.
9. Replace the turf to cover the exposed tops of the footings.

	Date: 3/3/23	PRODUCT NAME
	Rev:	HOODED BACKSTOP
	Drawn: CW	MODEL NO.
	Sheet: 7 of 7	1234-00-SPEC