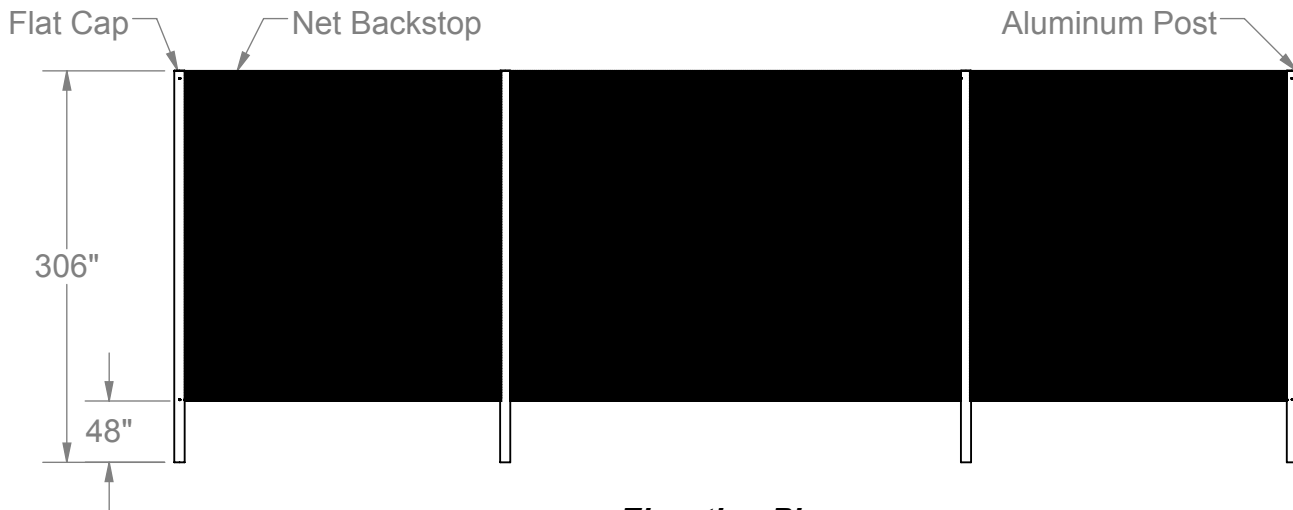
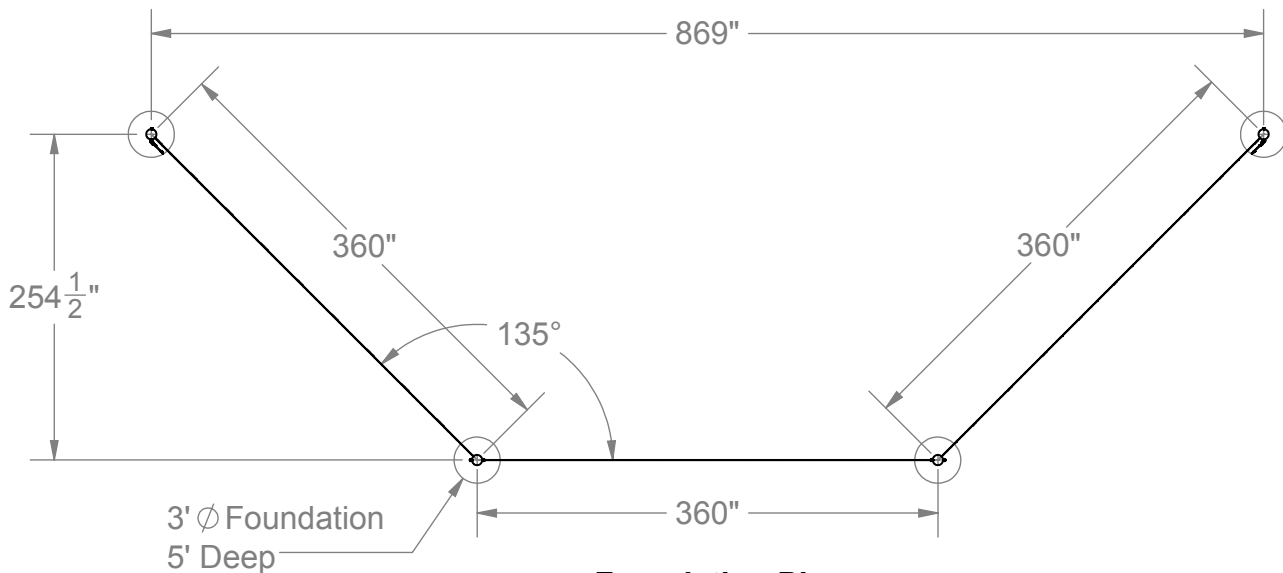


SITE FURNISHINGS

MODEL 1292-430 4x - 8" Dia. Post/Nylon Net Backstop



Elevation Plan



Foundation Plan

INSTALLATION:

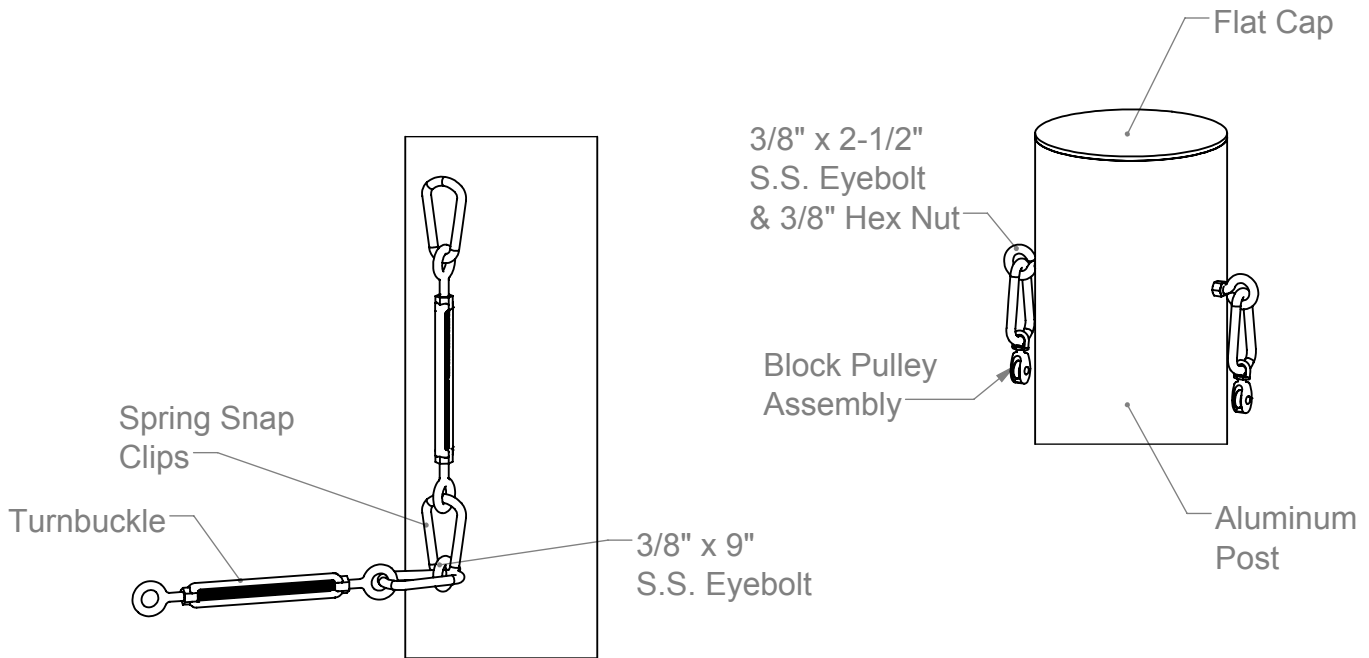
Insert posts at provided height in footing on backside of CMU retaining wall.
 Install 3/8" x 2.5" S.S. EyeBolts at top of each post, then attach Block Pulley Assemblies.
 Install 3/8" x 2.5" S.S. EyeBolts at base of post 1" above top of CMU retaining wall.
 Install 3/8" x 9" S.S. Eyebolts at top & base of End Posts.
 Attach Spring Snap Clips & O-Rings/Cable Clamps to Eyebolts.
 Feed Black Vinyl Coated Cable through Net & Nylon Rope through Pulley before attaching 3/8" Turnbuckles. Secure Turnbuckles to Spring Snap Clips & O-Rings, tighten cables then tighten Nylon Rope and secure around U-brace to prevent slippage or loosening of net.



SITE FURNISHINGS

SCALE: N.T.S.	SPECIFICATION / INSTALLATION INSTRUCTIONS
DATE: 1/15/16	
DRAWN: MT	8" Post w/ Nylon Net Backstop
REV:	1292-430
SHEET: 1 of 2	

SITE FURNISHINGS



ITEM	COMPONENT for each CENTER POLE
1	ALUMINUM POLE
1	ALUMINUM FLAT CAP
2	Block Pulley Assembly
4	3/8" x 2-1/2" S.S. Eyebolt
4	3/8" Hex Nut
2	9/32" S.S. Spring Snap Clips
1	3/4" S.S. O-Ring
1	1/4" S.S. Cable Clamp
1	Aluminum Pole Cleat
1	3/8" Turnbuckles
ITEM	NET HARDWARE
2	Lengths of the net run plus 6' of Black Vinyl Coated Cable (Cut on Site)
1	5/16" Black Poly Rope (cut to length for specific pole height x 2 plus 5 feet)
4	Cable Clamp / Thimble Packs
2	Self-Drilling Screws
ITEM	Additional Hardware list required for End Poles
2	3/8" Turnbuckle
3	9/32" S.S. Spring Snap Clips
2	3/8" x 9" S.S. Eyebolt
2	3/8" Hex Nut



SITE FURNISHINGS

SCALE: N.T.S.	SPECIFICATION / INSTALLATION INSTRUCTIONS
DATE: 1/15/16	
DRAWN: MT	8" Post w/ Nylon Net Backstop
REV:	1292-430
SHEET: 2 of 2	