

8

7

6

5

4

3

2

1

D

D

C

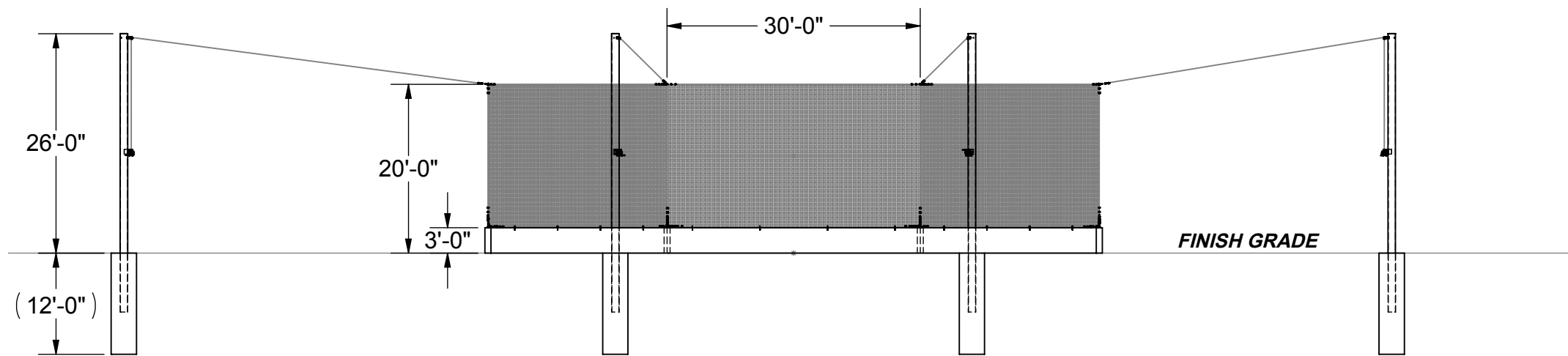
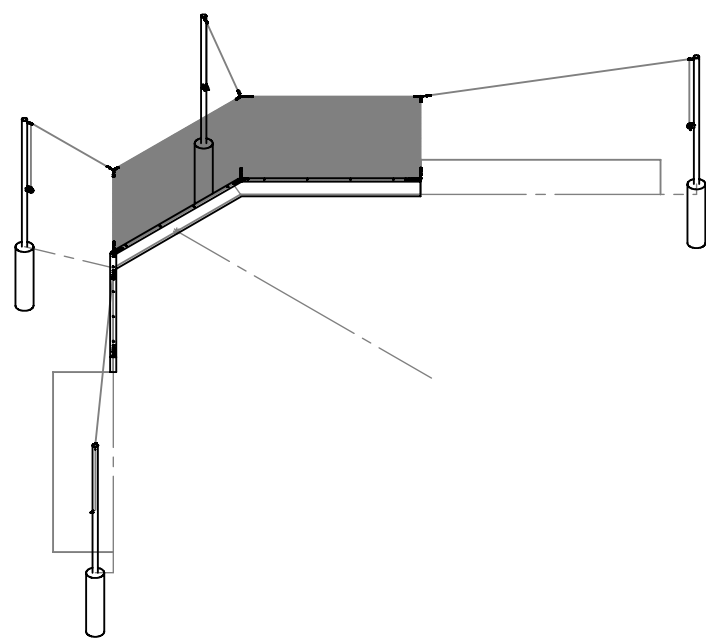
C

B

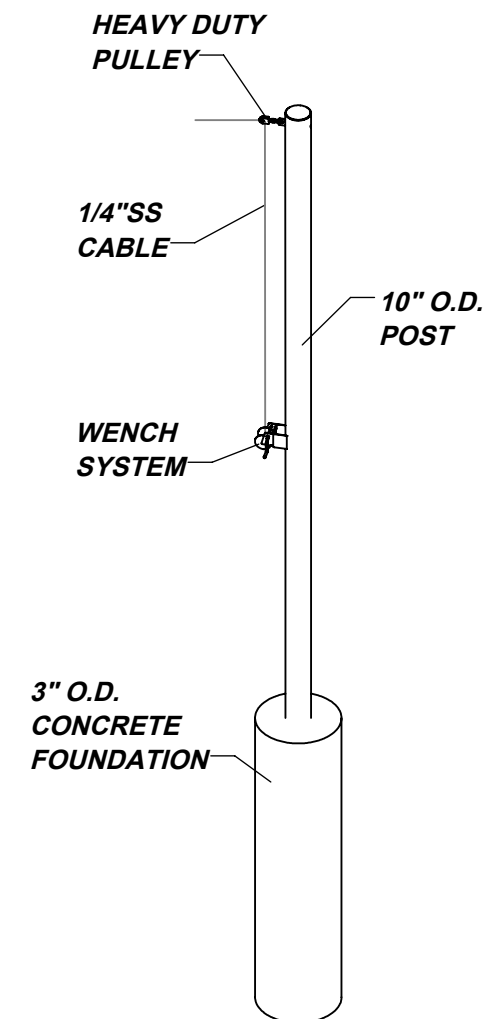
B

A

A



ELEVATION DETAIL



POST DETAIL

INSTALLATION:

1. Set Tension Posts in foundation and shim. (make sure when placing posts that the winch plates are facing the backstop.)
2. Drill holes in top of masonry wall and set 4.5" Eyebolts for the tension cable later in installation. (All eyebolts to be perpendicular offset to the length of the wall.)(Page 3)
3. Attach the Cable Mtg Plates [4] to the required locations on top of the wall. (See page 3 & 4)
4. Start by laying out sections of Net weaving cable through the bottom portion & attach required hardware to Cable Mtg plates to tension the base portion of the net. (See pages 3 & 4)
5. Pull the topside of Net out and weave top horizontal cables & the 4 vertical cables and their required hardware to tension the rest of the net. (See page 4 & 5)
6. Cut cable at requested lengths and wind up on winches. Attach pulley hardware to tops of Tension posts & feed cable through pulleys. After attaching cable end hardware, attach to triangle carabiners at top of Net/Vertical cable. (See page 4 & 5)
7. Slowly raise net with winches on all 4 posts at same time to allow for proper tension adjustments.

PW ATHLETIC MFG. CO.

TITLE

Tie-Back Net Backstop

SIZE

B

DWG NO

1254-3020

DATE

4/3/2018

REV

SCALE:

DRAWN: MT

SHEET 1 of 5

8

7

6

5

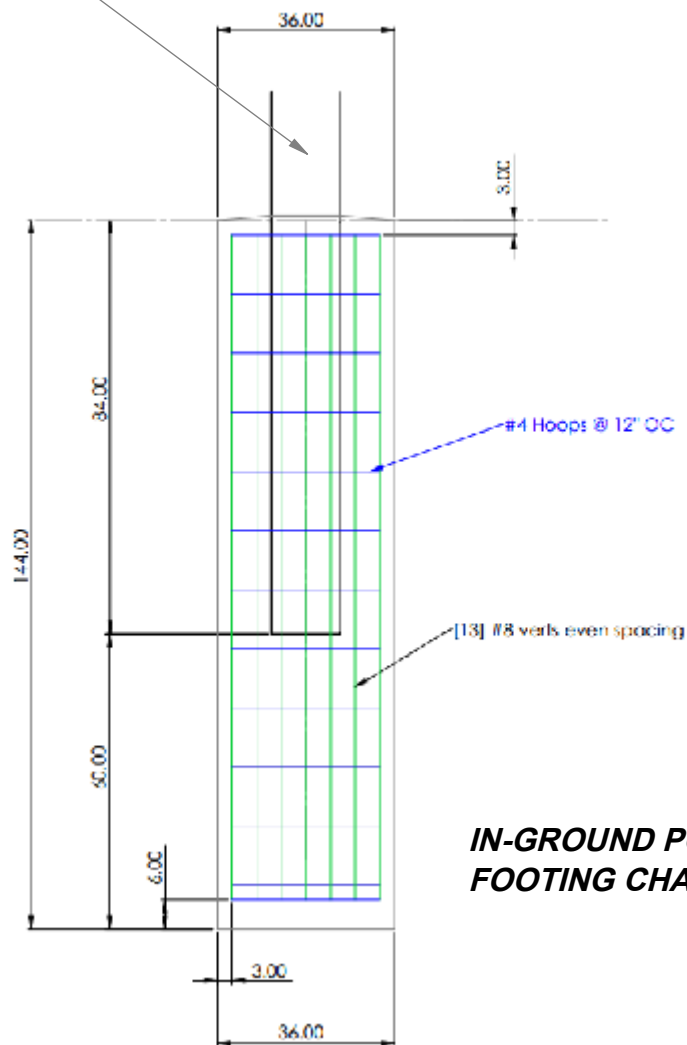
4

3

2

1

10" O.D. Sch 80 Pipe
33' Long - 26' Above Surface



POST #1

POST #2

POST #3

POST #4

AWAY SIDE

HOME SIDE

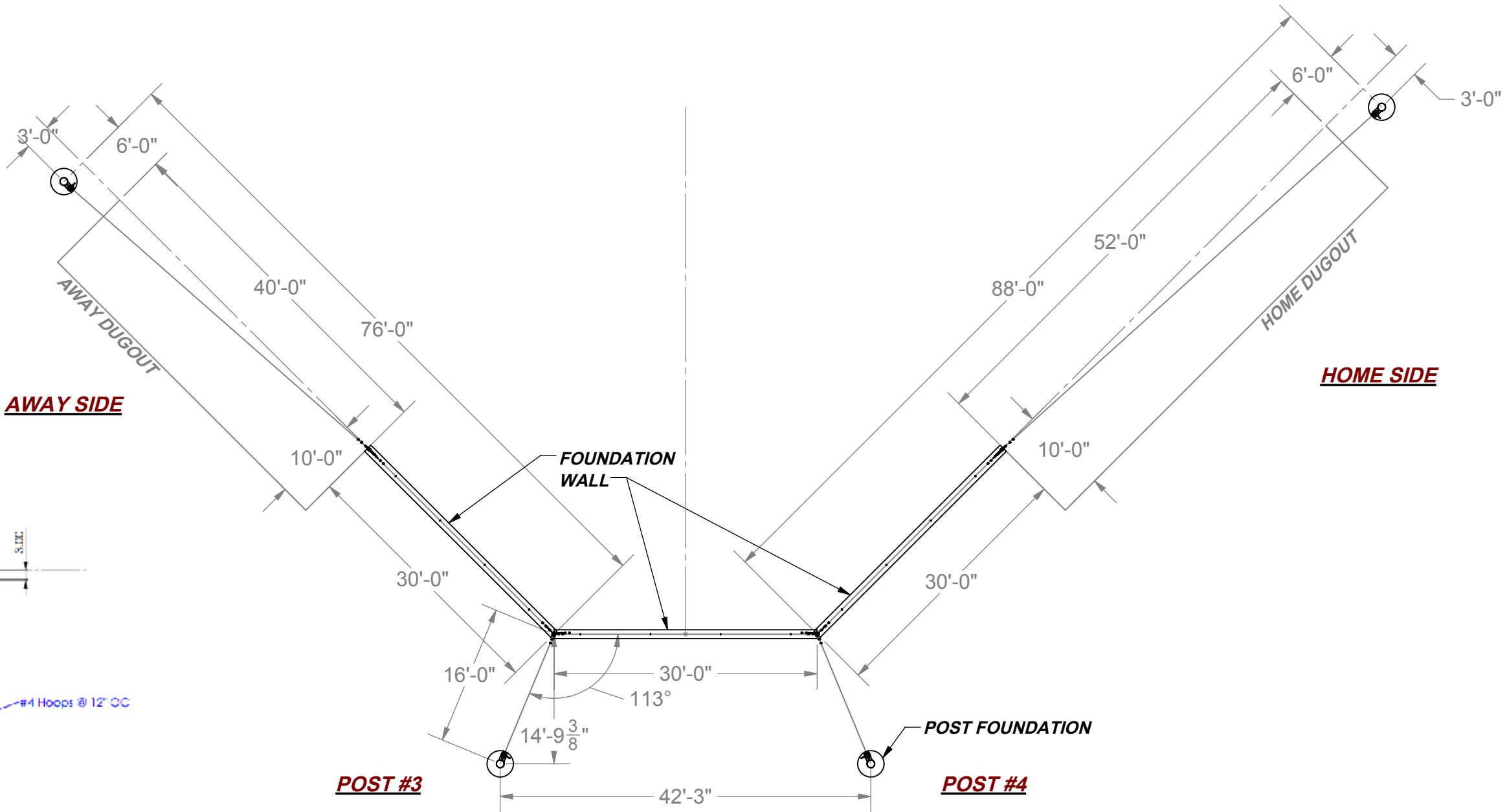
IN-GROUND POST FOOTING CHART

PW ATHLETIC MFG. CO.

TITLE
Tie-Back Net Backstop

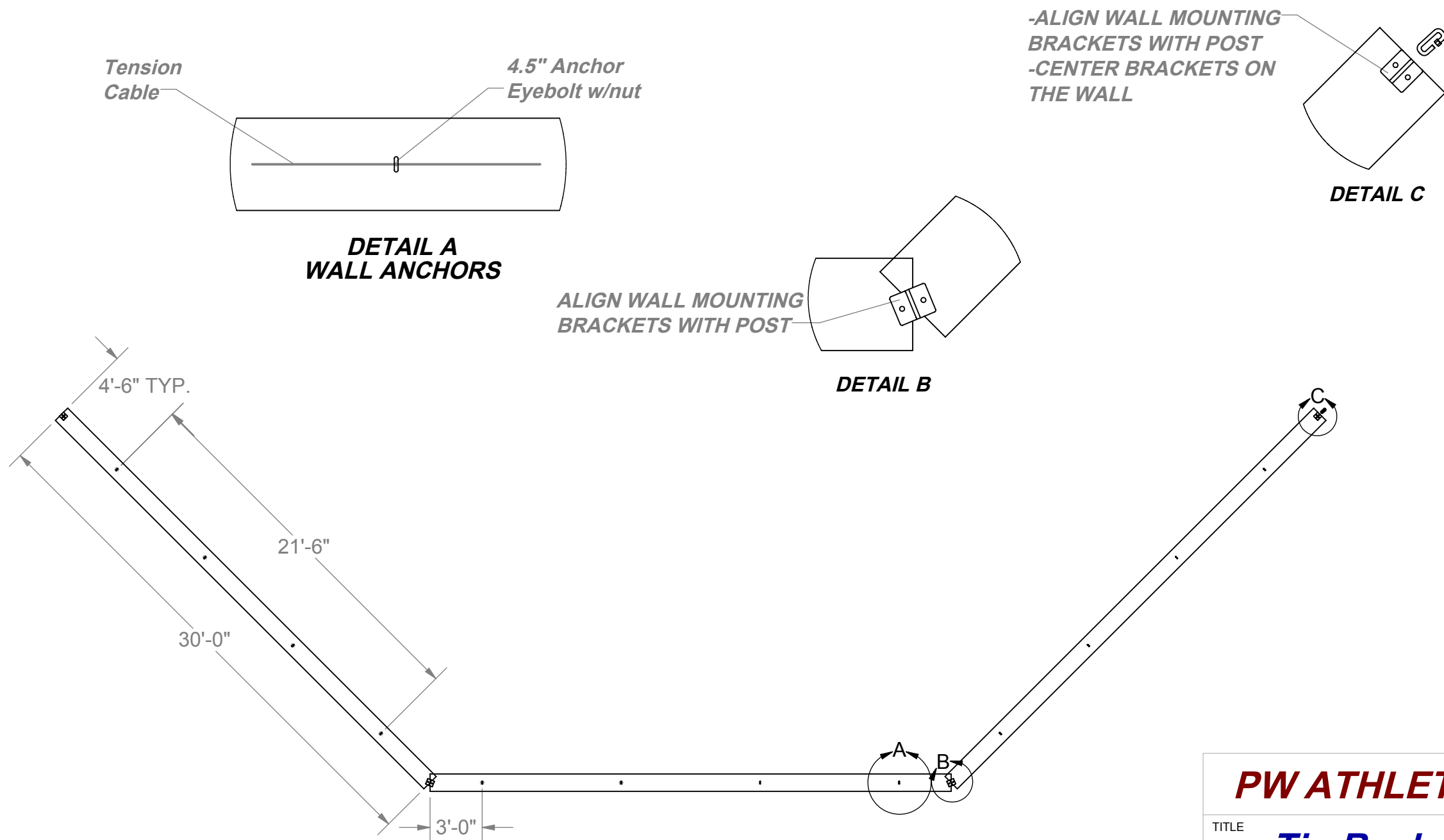
SIZE	DWG NO	DATE	REV
B	1254-3020	4/3/2018	

SCALE:	DRAWN: MT	SHEET 2 of 5
--------	-----------	--------------



INSTALLATION: ANCHOR BOLT APPLICATION

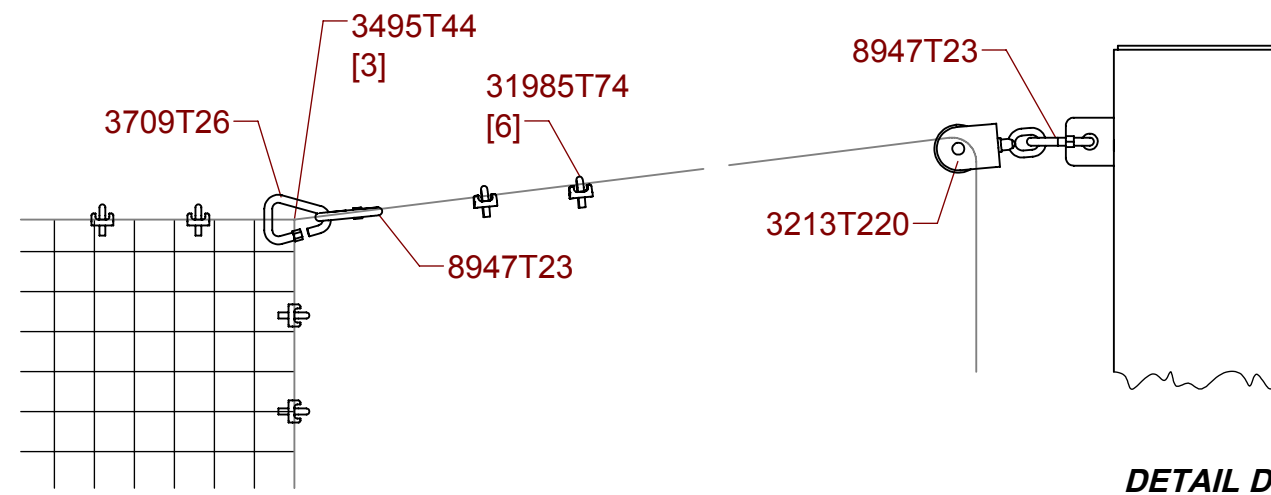
1. **Anchor Eyebolt application in top of wall requires you to pre-drill Oversized hole so that the anchor nut on eyebolt is set in wall then use anchoring epoxy adhesive to secure them, allow for the required dry time of epoxy before tensioning cables through the bolts...**
2. **Twist Eyebolts perpendicular to wall length to allow smooth cable tensioning. (See Detail)**
3. **Option 2 is to set anchor bolts at required lengths into concrete before drying.**



PW ATHLETIC MFG. CO.			
TITLE Tie-Back Net Backstop			
SIZE B	DWG NO 1254-3020	DATE 4/3/2018	REV
SCALE:		DRAWN: MT	SHEET 3 of 5

D

D

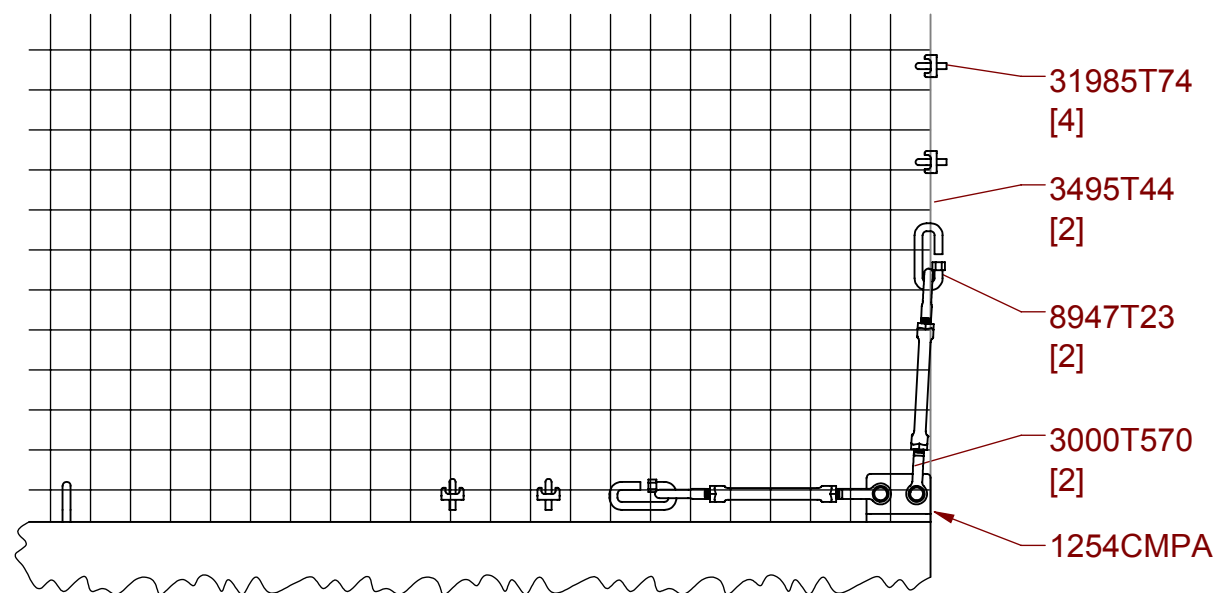


DETAIL E

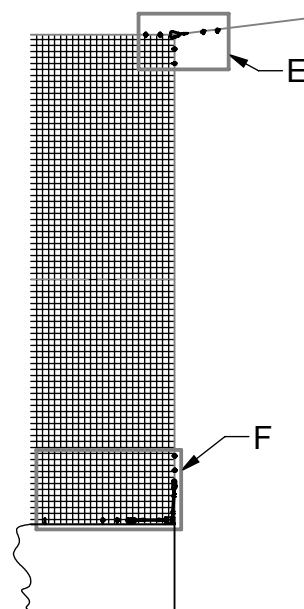
DETAIL D

C

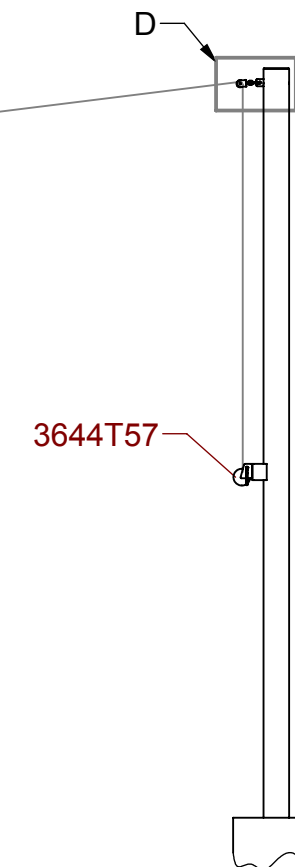
C



DETAIL F



RIGHT & LEFT FIELD FOUL LINE TENSION POST LAYOUT



INSTALLATION: DESIGN NOTES:

1. This new PW design makes it much easier for you to be able to easily remove the net for offseason safe keeping. (Nets have been known in the past to be weatherized if not properly taken care of.) Drop the net by un-tensioning the cable from the wench, unclip the oval carabiner in (Detail A) and role up the cable. Fold the Net on top of the wall for offseason easy storage.
2. Option 2 will allow you to drop the net and detach the cable at Detail B Location. Role the cable up as much as the wench will allow and tie off remaining cable from further damage. Drop the Net and role up tightly along the top surface of the wall. secure with straps and optional cover (tarp, vinyl cover).

A

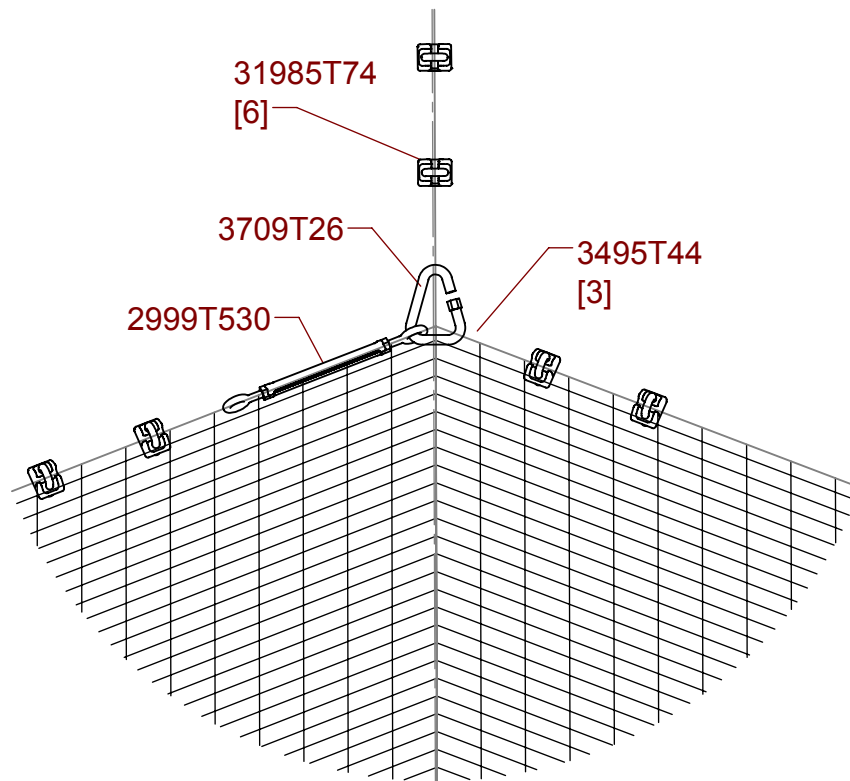
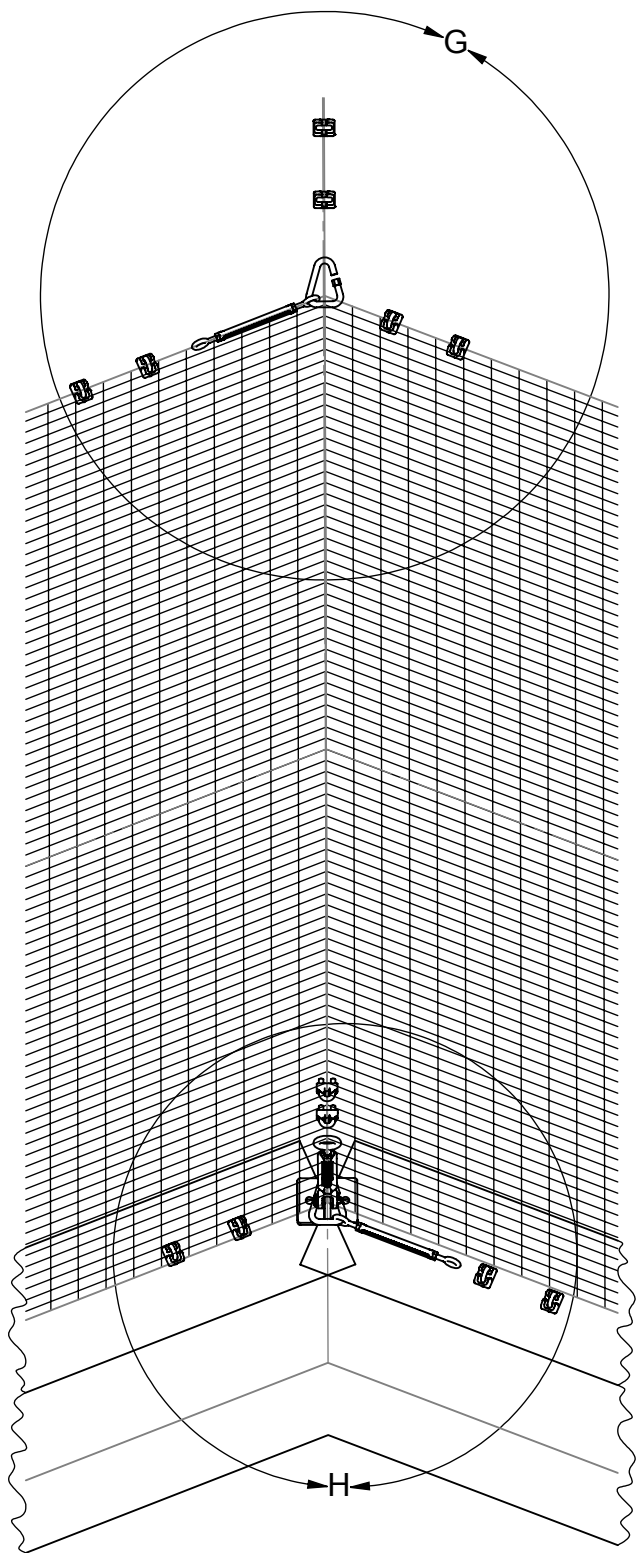
A

PW ATHLETIC MFG. CO.

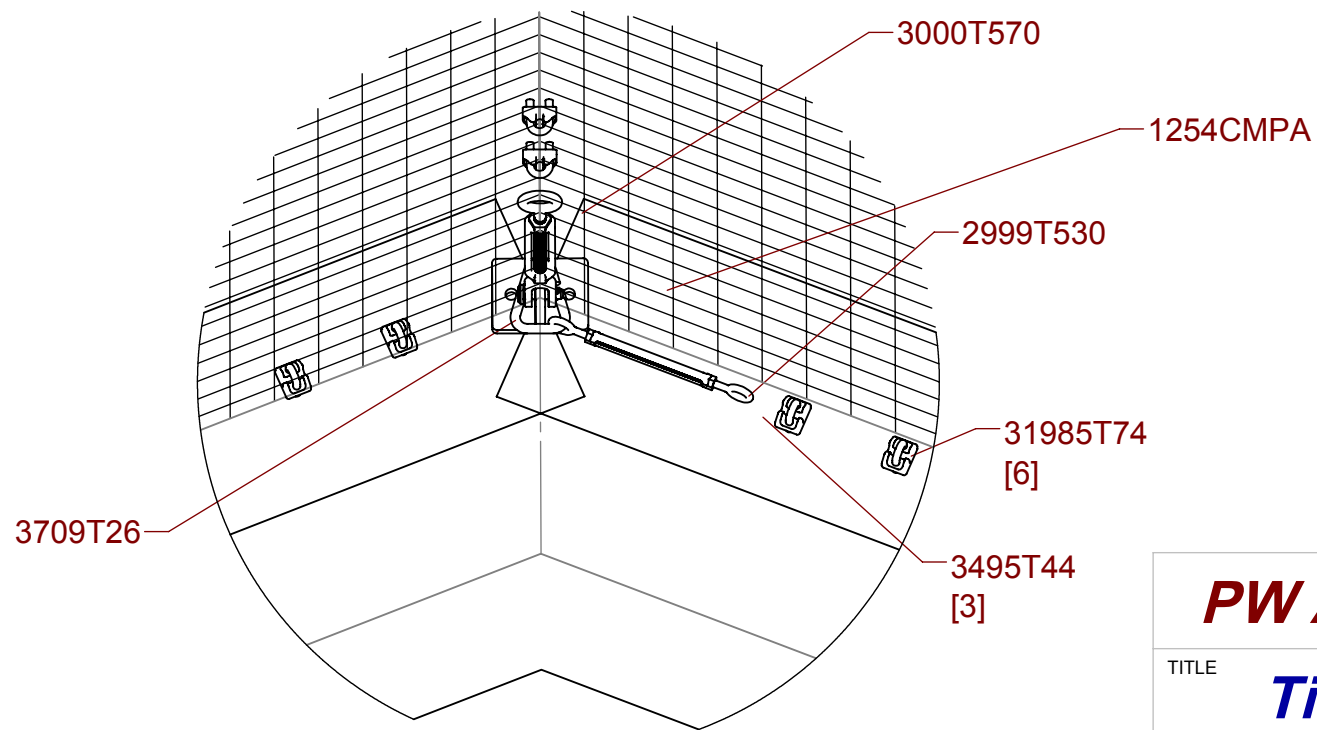
TITLE **Tie-Back Net Backstop**

SIZE	DWG NO	DATE	REV
B	1254-3020	4/3/2018	

SCALE:	DRAWN: MT	SHEET 4 of 5
--------	-----------	--------------



DETAIL G



DETAIL H

PW ATHLETIC MFG. CO.			
TITLE Tie-Back Net Backstop			
SIZE B	DWG NO 1254-3020	DATE 4/3/2018	REV
SCALE:		DRAWN: MT	SHEET 5 of 5