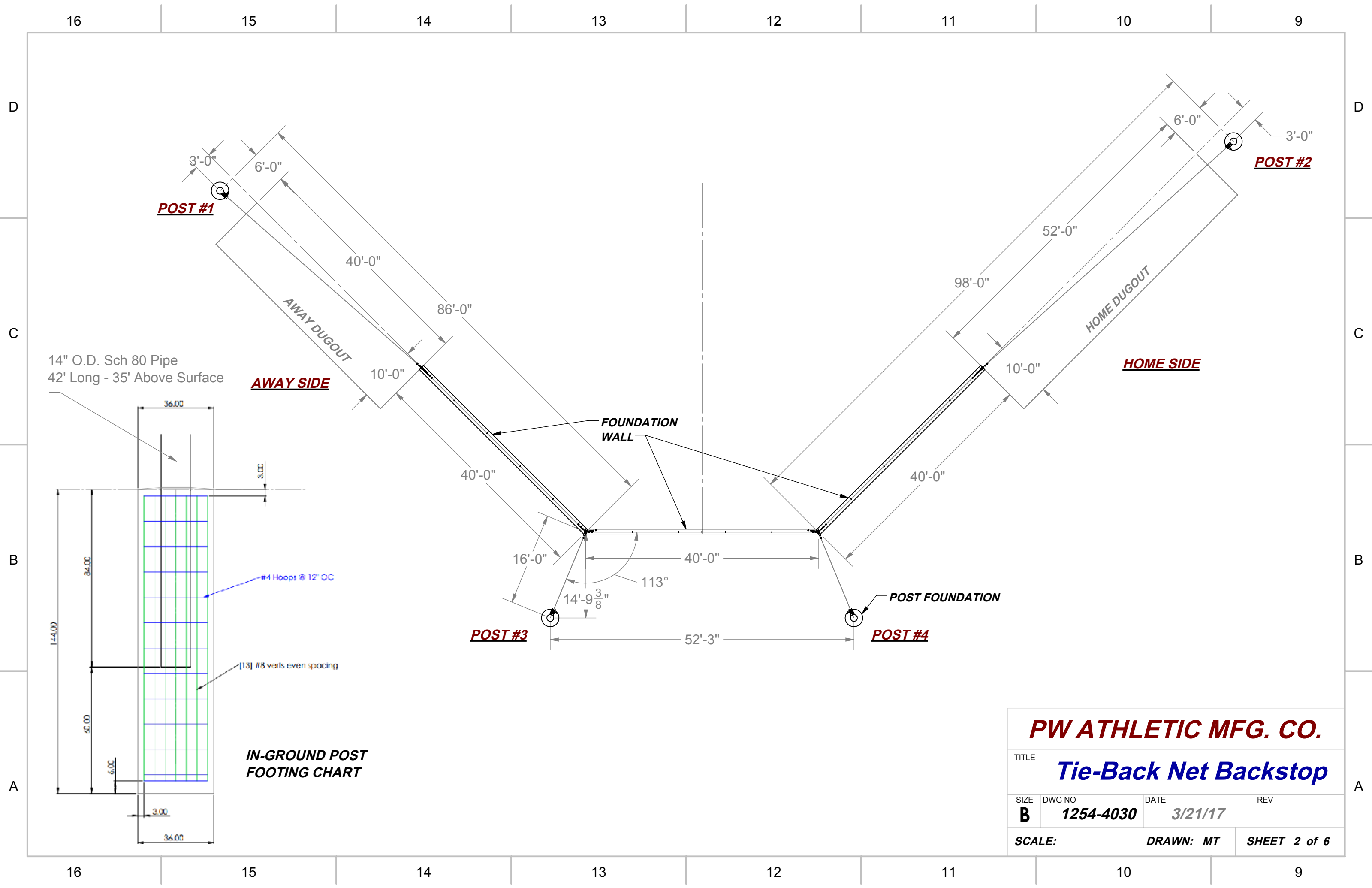


**INSTALLATION:**

1. ***Set Tension Posts in foundation and shim. (make sure when placing posts that the winch plates are facing the backstop.)***
2. ***Drill holes in top of masonry wall and set 4.5\"***
3. ***Attach the Cable Mtg Plates [4] to the required locations on top of the wall. (See page 3 & 4)***
4. ***Start by laying out sections of Net weaving cable through the bottom portion & attach required hardware to Cable Mtg plates to tension the base portion of the net. (See pages 3 & 4)***
5. ***Pull the topside of Net out and weave top horizontal cables & the 4 vertical cables and their required hardware to tension the rest of the net. (See page 4 & 5)***
6. ***Cut cable at requested lengths and wind up on winches. Attach pulley hardware to tops of Tension posts & feed cable through pulleys. After attaching cable end hardware, attach to triangle carabiners at top of Net/Vertical cable. (See page 4 & 5)***
7. ***Slowly raise net with winches on all 4 posts at same time to allow for proper tension adjustments.***

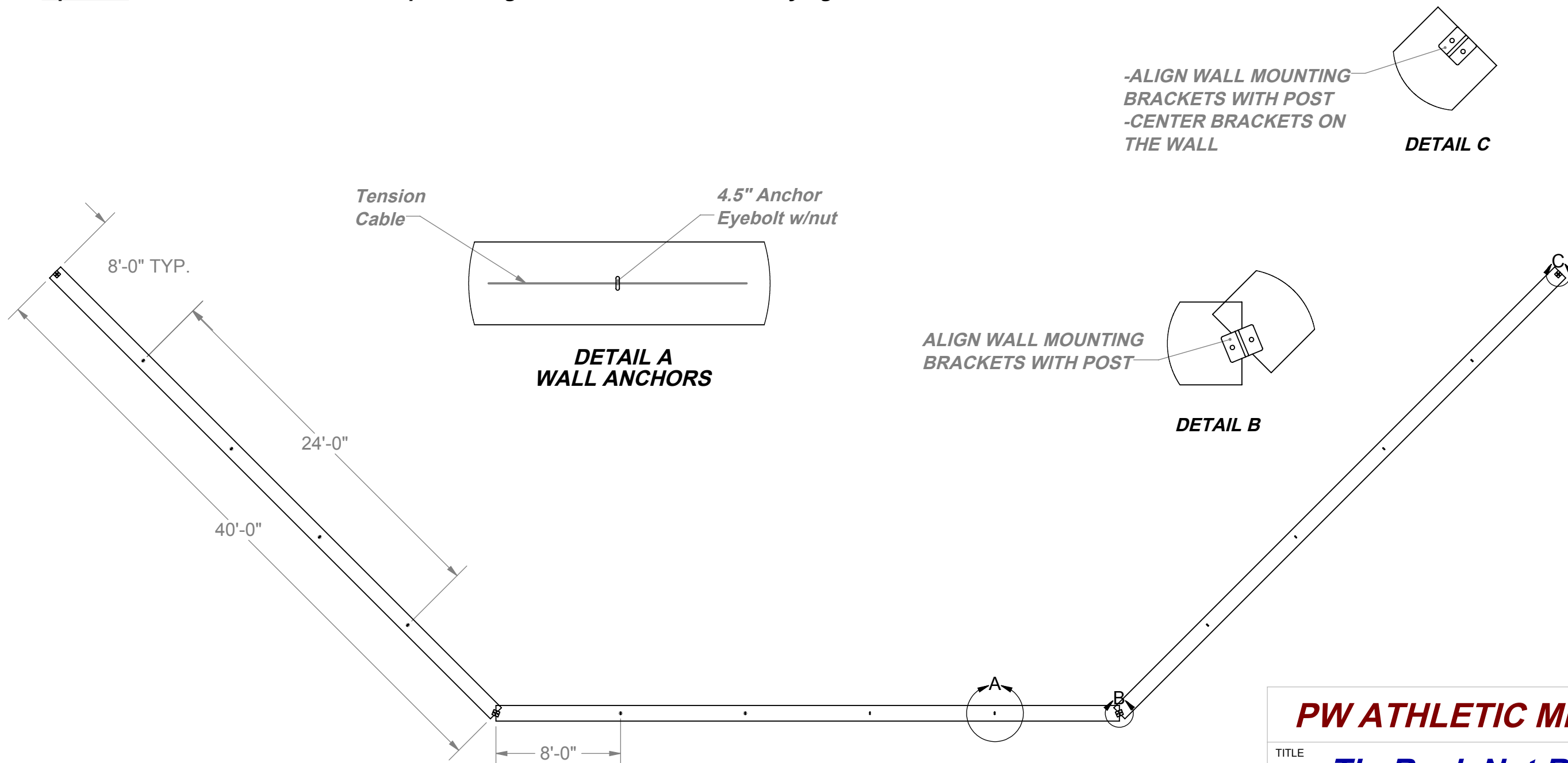
<b>PW ATHLETIC MFG. CO.</b>			
TITLE <b>Tie-Back Net Backstop</b>			
SIZE <b>B</b>	DWG NO <b>1254-4030</b>	DATE <b>3/21/17</b>	REV
SCALE:		<b>DRAWN: MT</b>	<b>SHEET 1 of 6</b>



<b>PW ATHLETIC MFG. CO.</b>			
TITLE <b>Tie-Back Net Backstop</b>			
SIZE <b>B</b>	DWG NO <b>1254-4030</b>	DATE <b>3/21/17</b>	REV
SCALE:		DRAWN: MT	SHEET 2 of 6

**INSTALLATION: ANCHOR BOLT APPLICATION**

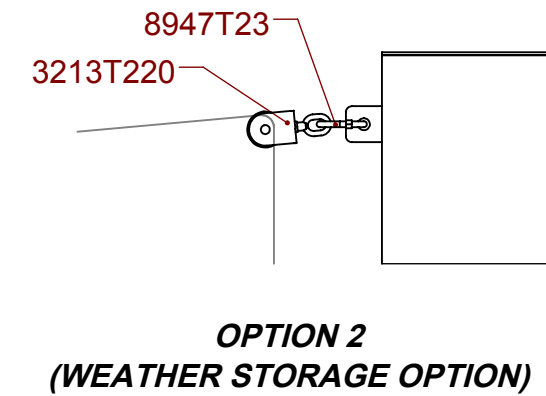
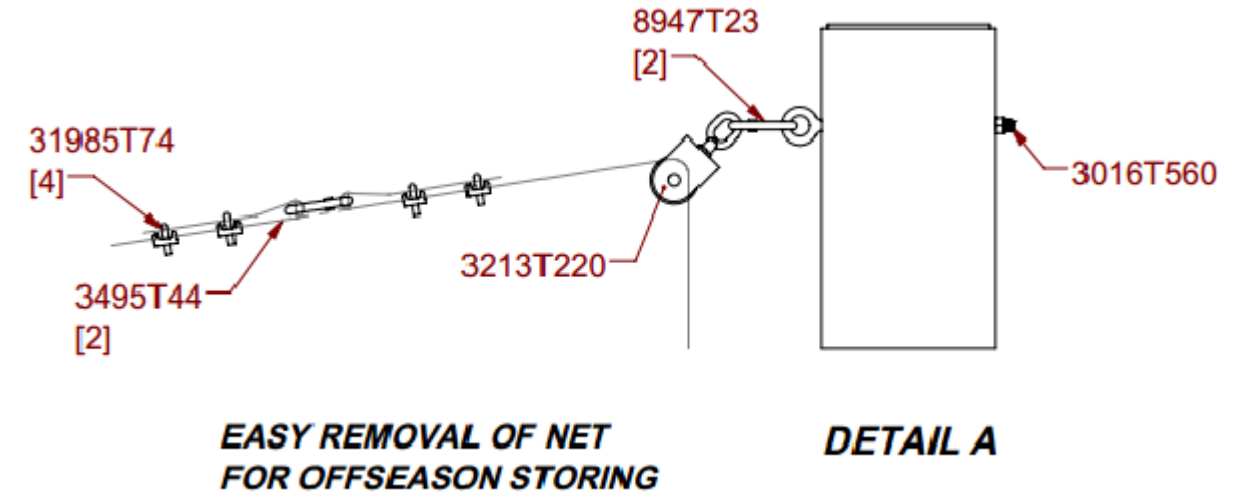
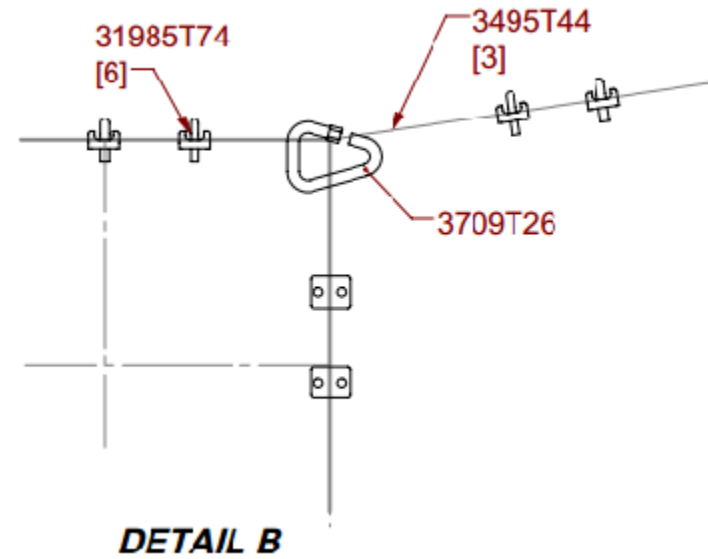
1. **Anchor Eyebolt application in top of wall requires you to pre-drill Oversized hole so that the anchor nut on eyebolt is set in wall then use anchoring epoxy adhesive to secure them, allow for the required dry time of epoxy before tensioning cables through the bolts...**
2. **Twist Eyebolts perpendicular to wall length to allow smooth cable tensioning. (See Detail)**
3. **Option 2 is to set anchor bolts at required lengths into concrete before drying.**



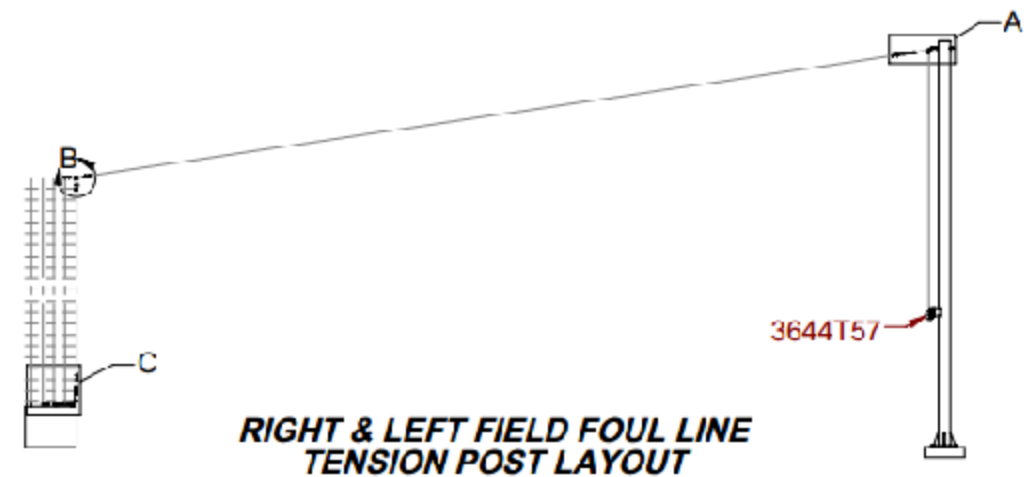
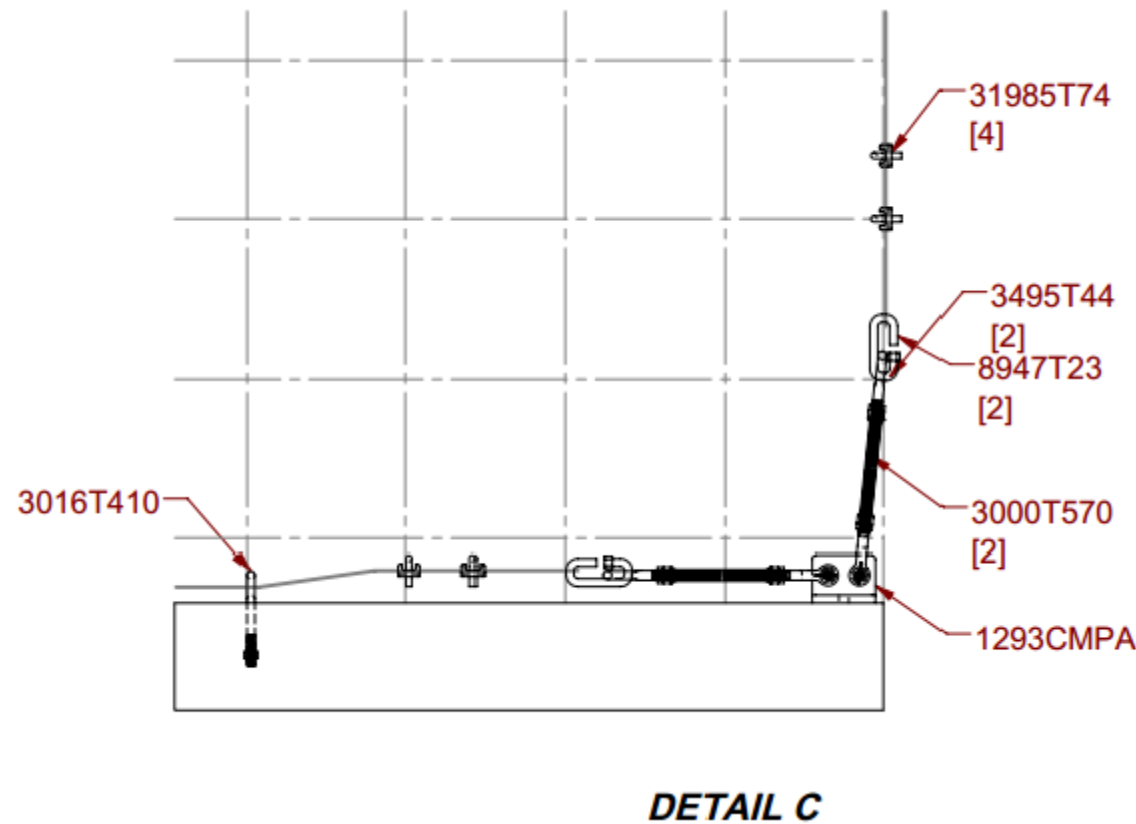
<b>PW ATHLETIC MFG. CO.</b>			
TITLE <b>Tie-Back Net Backstop</b>			
SIZE <b>B</b>	DWG NO <b>1254-4030</b>	DATE <b>3/21/17</b>	REV
SCALE:		DRAWN: MT	SHEET 3 of 6

**INSTALLATION: DESIGN NOTES:**

1. This new PW design makes it much easier for you to be able to easily remove the net for offseason safe keeping. (Nets have been known in the past to be weatherized if not properly taken care of.) Drop the net by un-tensioning the cable from the wench, unclip the oval carabiner in (Detail A) and role up the cable. Fold the Net on top of the wall for offseason easy storage.
2. Option 2 will allow you to drop the net and detach the cable at Detail B Location. Role the cable up as much as the wench will allow and tie off remaining cable from further damage. Drop the Net and role up tightly along the top surface of the wall. secure with straps and optional cover (tarp, vinyl cover).



**OPTION 2 (WEATHER STORAGE OPTION)**



**PW ATHLETIC MFG. CO.**

TITLE **Tie-Back Net Backstop**

SIZE	DWG NO	DATE	REV
<b>B</b>	<b>1254-4030</b>	<b>3/21/17</b>	

SCALE:	DRAWN: MT	SHEET 4 of 6
--------	-----------	--------------

40

39

38

37

36

35

34

33

D

D

C

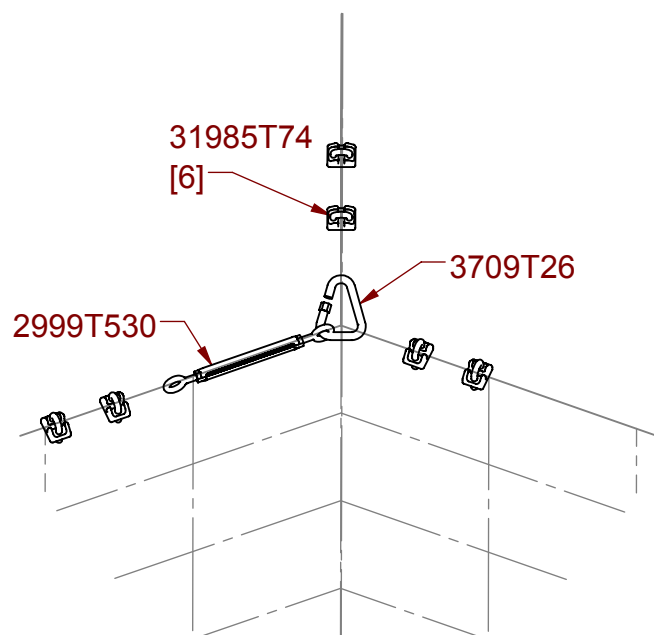
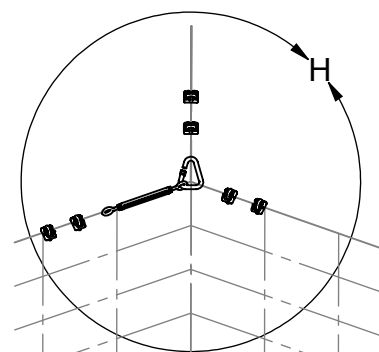
C

B

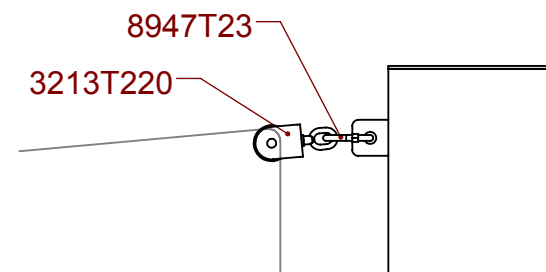
B

A

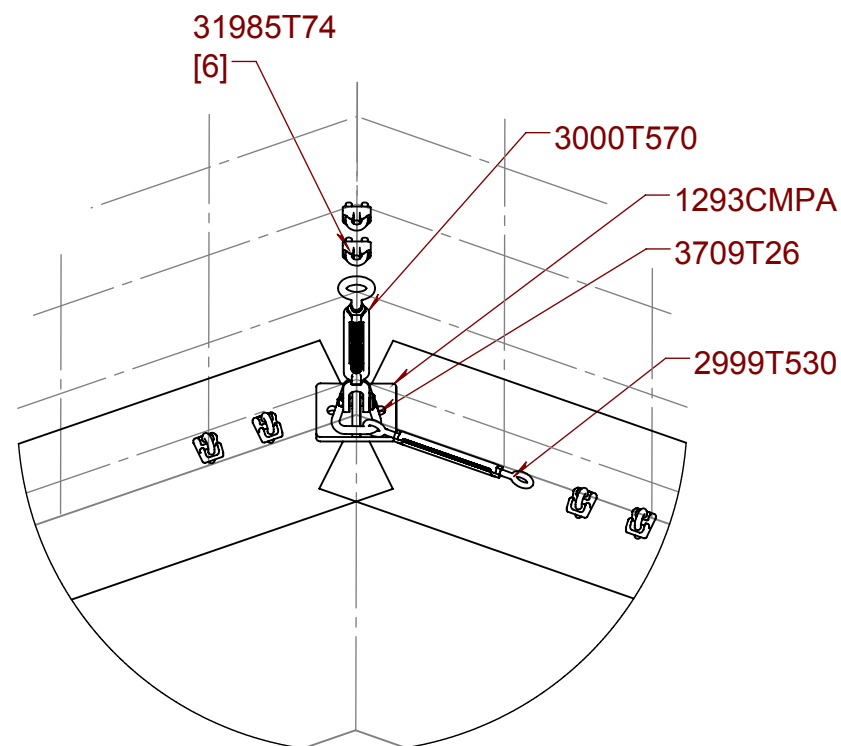
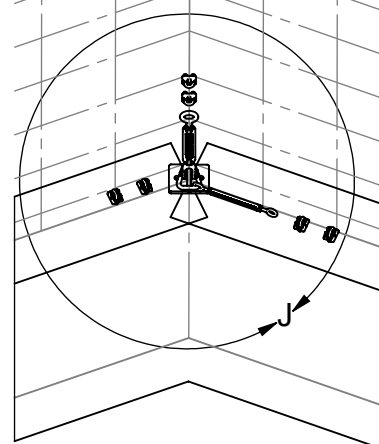
A



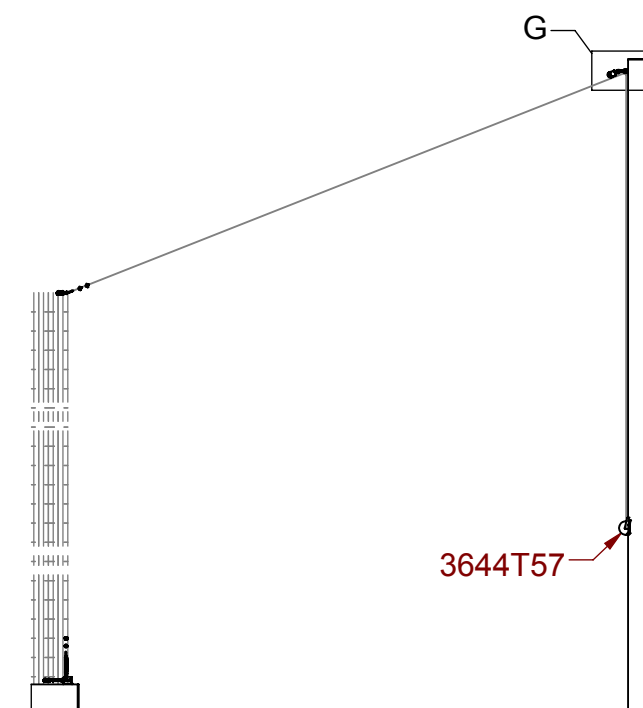
**DETAIL H**



**DETAIL G**



**DETAIL J**



**EASY REMOVAL OF NET  
FOR OFFSEASON STORING**

**PW ATHLETIC MFG. CO.**

TITLE  
**Tie-Back Net Backstop**

SIZE <b>B</b>	DWG NO <b>1254-4030</b>	DATE <b>3/21/17</b>	REV
------------------	----------------------------	------------------------	-----

SCALE:	DRAWN: MT	SHEET 5 of 6
--------	-----------	--------------

40

39

38

37

36

35

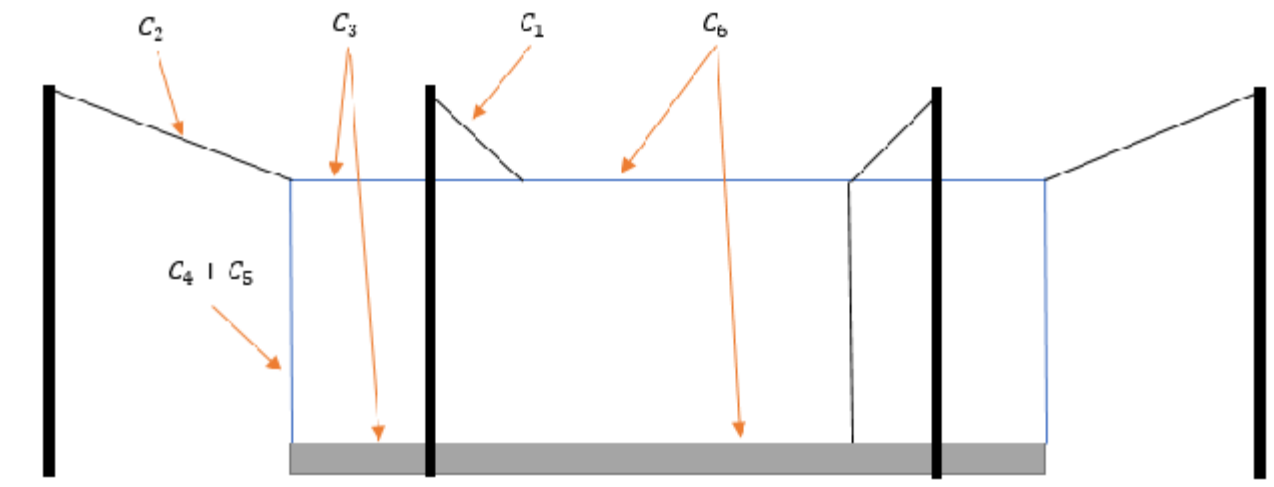
34

33

Rating/Spec:	Material Description	Qty	UOM	Cost	Total	Source	Part #
3845 #	Triangle Caribiners	6	EA	\$ -	\$ -	Mcar	3709T27
5422 #	Oval Caribiners (heavy duty)	4	EA	\$ -	\$ -	Mcar	3711T29
3300#	Oval Caribiners	6	EA	\$ -	\$ -	Mcar	8947T23
3845 #	Cast Wire rope clamps	56	EA	\$ -	\$ -	Mcar	31985T73
	1/4 in thimble stainless steel	26	EA	\$ -	\$ -	Mcar	3495T44
3845 #	Turn Buckle (eye to eye) 5/8"	4	EA	\$ -	\$ -	Mcar	2999T570
2306#	Turn Buckle (clevis to eye) 5/8	6	EA	\$ -	\$ -	Mcar	3000T570
5422 #	pulley	4	EA	\$ -	\$ -	Mcar	3257T24
3007 #	Wench Heavy duty	4	EA	\$ -	\$ -	Mcar	3736T3
>= 6 in length	3/8"-16 8in long anchor bolts for wall (ss)	8	EA	\$ -	\$ -	Mcar	92240A654
	3/8 in washer (100 pack) SS	1	EA	\$ -	\$ -	Mcar	92141A031
	3/8-16 in nut (10 pack) SS	1	EA	\$ -	\$ -	Mcar	94252A709
	3/8-16 2in long bolts (ss) (10 pack)	2	EA	-	-	Mcar	92240A632
	3/8-16 in nut (10 pack) SS	2	EA	\$ -	\$ -	Mcar	94252A709
	3/8" washers	0	EA				use the above 100 pk



Steel cable lengths  
For  
Net Backstop system (Tieback model)



Length of spool = 500'

$C_1 = 67'$  [2 units]  $500 - 67' = 433'$   
 $433' - 67' = 366'$   
 $C_2 = 96'$  [2 units]  $366' - 96' = 270'$   
 $270' - 96' = 174'$   
 $C_3 = 44'$  [4 units]  $174' - 44' = 130'$   
 $130' - 44' = 86'$   
 $86' - 44' = 42'$  Use new 200' spool (42' left over)  
 $200' - 44' = 156'$

3728 #	1/4 inch, 7 x 19 Stainless steel Cable	500	ft	-	\$ -	ERIG	22020050
	1/4 inch, 7x19 stainless steel cable	200	ft	-	\$ -	ERIG	22020020
964 #	eyebolts wall guide	14	EA	\$ -	\$ -	ERIG	51710807



$C_{4&5} = 31'$  [4 units]  $42' - 31' = 11'$  Use left over 42' from first spool  
 $156' - 31' = 125'$   
 $125' - 31' = 94'$   
 $94' - 31' = 63'$

$C_6 = 44'$  [2 units]  $63' - 44' = 19'$  Use new 200' spool (19' left over)  
 $200' - 44' = 156'$

**PW ATHLETIC MFG. CO.**

TITLE **Tie-Back Net Backstop**

SIZE	DWG NO	DATE	REV
<b>B</b>	<b>1254-4030</b>	<b>3/21/17</b>	

SCALE: DRAWN: MT SHEET 6 of 6