

VALUE SERIES FOUL BALL POLE

MODEL 1266-00 12 FT. POLE WITH NO FLAG (250 LBS)

One piece construction consisting of Post.

MATERIALS:

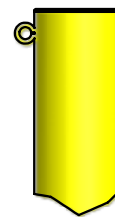
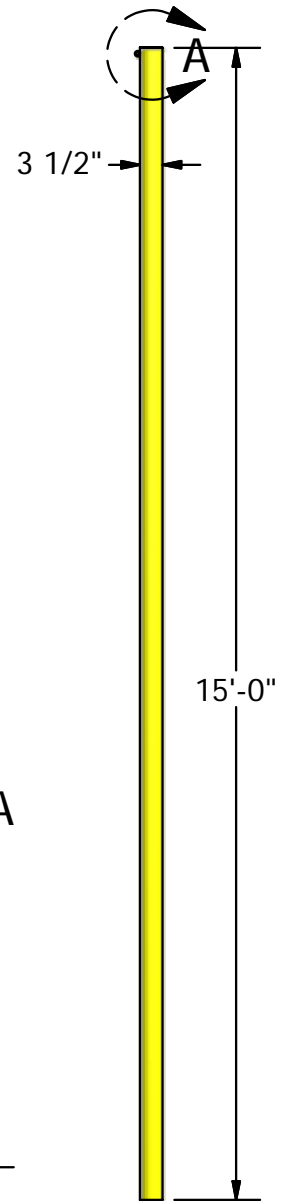
Post: 3-1/2" O.D. galvanized steel.

Finish: Powder Coated Yellow. All welds ground smooth. All hardware is zinc plated for long rust-free service. (Padding is not included)

DIMENSIONS:

Height: 12 ft. pole above ground with a 3 ft. bury.

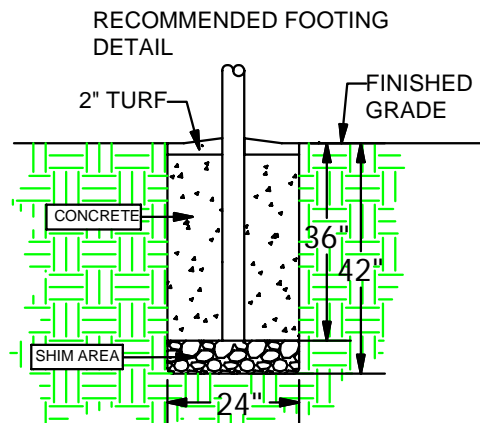
WARRANTY: 36 Months.




DETAIL A

Installation:

1. Dig hole per footing detail. Check local building codes for safest desired dimensions.
2. Pour concrete to within 2" of finish grade. Allow concrete to set for 3 days before removal of bracing and completion of installation.



 <p>Patterson-Williams QUALITY ATHLETIC AND PARK EQUIPMENT SINCE 1919</p>	Date: 10-20-09	SPECIFICATION/INSTALLATION INSTRUCTIONS
	Rev: A011410	
	Drawn: AMC	MODEL NO.
	Sheet: 1 of 1	1266-00