

Value Series Foul Ball Pole

Model 1267 Foul Ball Pole: 12 ft. pole with 6 ft. flag.

Material:

Foul ball pole is made from a 3-1/2" pipe upright and a 1-5/8" tube flag.

Finish: The foul ball pole is powder coated yellow.

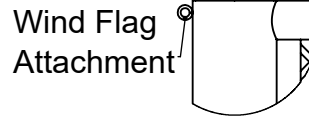
Dimensions:

12 foot above ground with a 4 foot bury. Flag is 72 inches by 17-5/8 inches

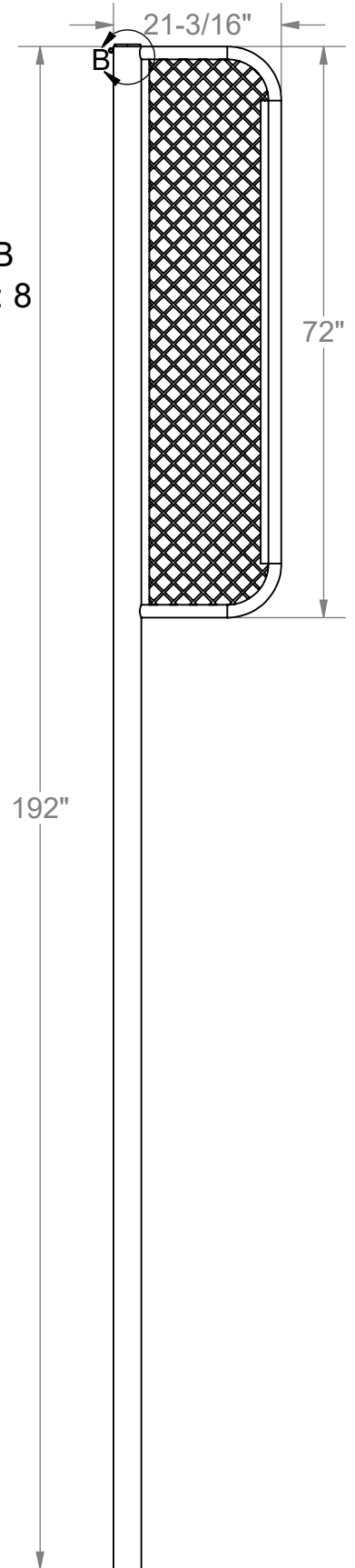
Warranty: 10 Years

Installation:

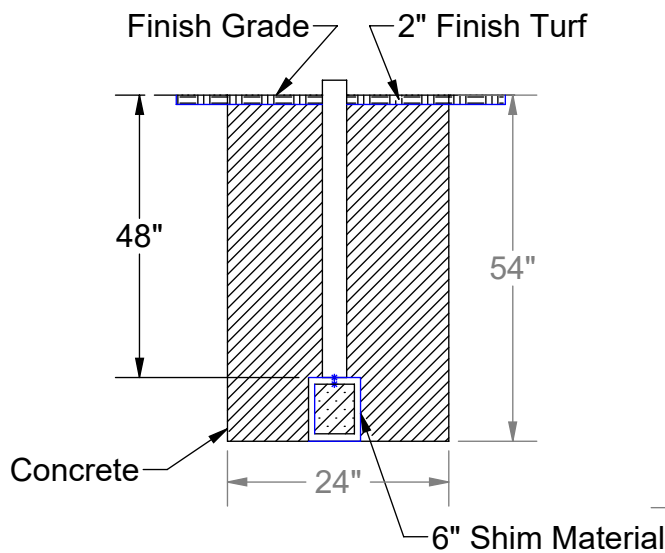
1. Dig footing per footing detail. Check local building codes for loose or sandy conditions.
2. Position pole in the hole ensuring the the 4 foot bury depth. Rotate flag into desired position. Plumb and level pole.
3. Pour concrete into footing and fill within 2 inches of finish grade.
4. Allow concrete to set for 3 days before removing bracing and completing installation.



DETAIL B
SCALE 1 : 8



Material	Qty
1267 Pole	2
5/8"x1-3/4" Hex Bolt	2



Date: 1/14/2021

Rev: A

Drawn: JBN

Sheet: 1 of 1

SPECIFICATION / INSTALLATION INSTRUCTIONS

Value Series Foul Ball Pole

MODEL NO.

1267