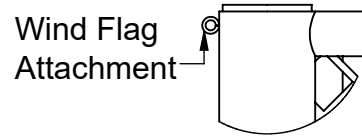
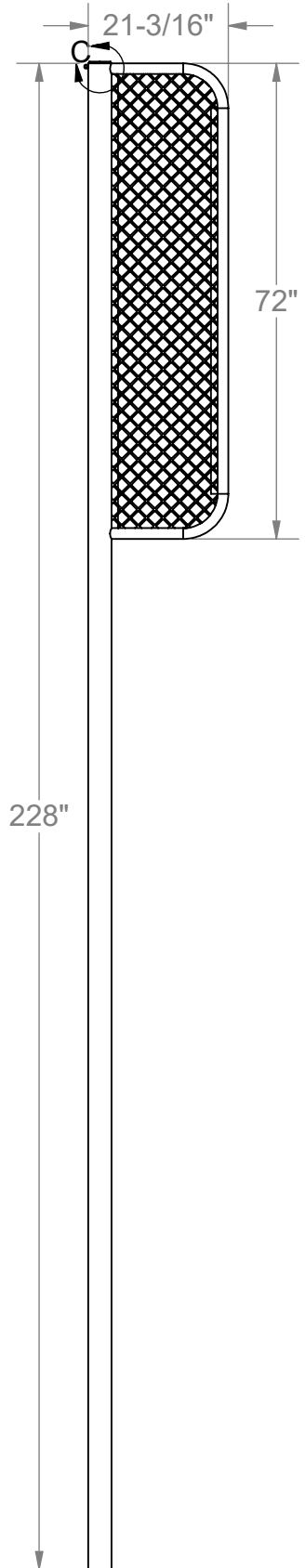


Value Series Foul Ball Pole

Model 1268 Foul Ball Pole: 15 ft. pole with 6 ft. flag.



DETAIL C



Material:

Foul ball pole is made from a 3-1/2" pipe upright and a 1-5/8" tube flag.

Finish: The foul ball pole is powder coated yellow.

Dimensions:

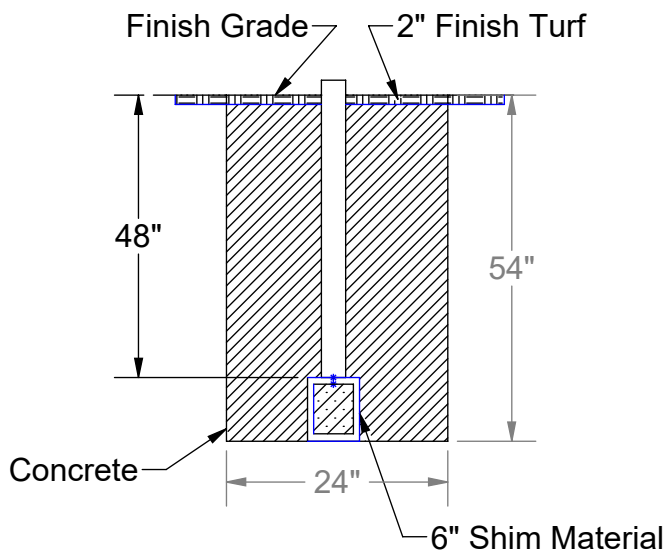
15 foot above ground with a 4 foot bury. Flag is 72 inches by 17-5/8 inches

Warranty: 10 Years

Installation:

1. Dig footing per footing detail. Check local building codes for loose or sandy conditions.
2. Position pole in the hole ensuring the the 4 foot bury depth. Rotate flag into desired position. Plumb and level pole.
3. Pour concrete into footing and fill within 2 inches of finish grade.
4. Allow concrete to set for 3 days before removing bracing and completing installation.

Material	Qty
1268 Pole	2
5/8"x1-3/4" Hex Bolt	2



Date: 1/14/2021
 Rev: A
 Drawn: JBN
 Sheet: 1 of 1

SPECIFICATION / INSTALLATION INSTRUCTIONS
 Value Series Foul Ball Pole
 MODEL NO.
1268