

PRO SERIES FOUL BALL POLE

MODEL 1271 - 20' FT POLE (160lbs)

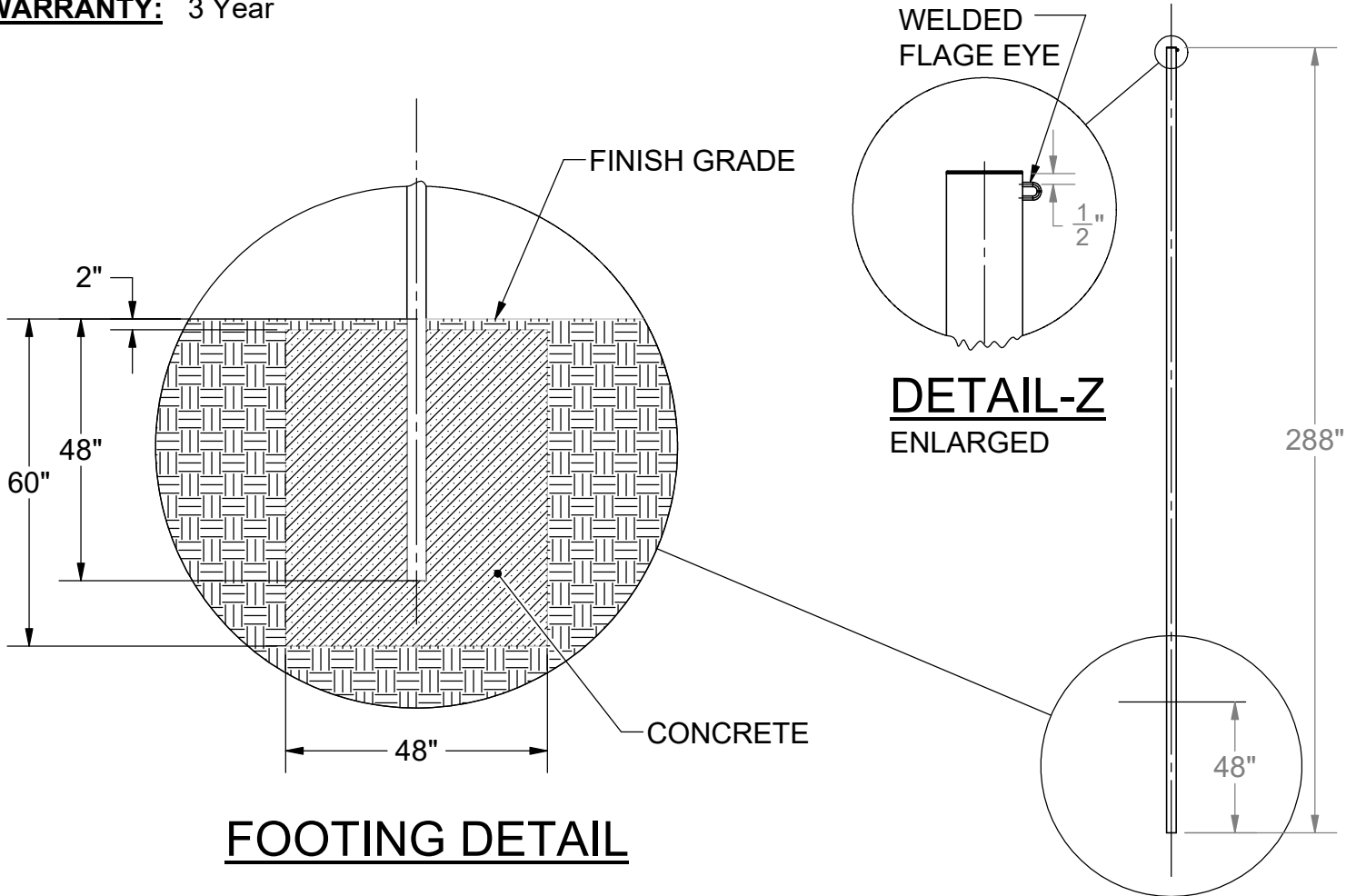
MATERIALS:

POST: 3-1/2" O.D. Galvanized Steel

FINISH: Powder Coated Yellow. All welds ground smooth. All hardware is zinc coated for long rustfree service. (Padding and flange not included)

DIMENSIONS: HEIGHT: 20ft. pole above ground with a 48" bury.

WARRANTY: 3 Year



INSTALLATION INSTRUCTIONS:

1. Dig a hole per footing detail. check local building codes for safest desired dimensions. 2. Attach wind flag on eyebolt at top of pole before setting post into place. 3. (Ground Sleeve option) = Position Ground Sleeve Lock Box in hole and rotate till box is perpendicular to foul line. 4. Pour concrete to set for 3days before removal of bracing and completion of installation. (NO need for bracing the post on Ground Sleeve option, . Center Ground Sleeve in concrete with lock box being 1-1/2" above Finish Grade



Date: 7/26/2017

Rev: A

Drawn: BDYE

Sheet: 1 of 1

PRODUCT NAME

FOUL BALL POLE

MODEL NO.

1271