

PRO SERIES FOUL BALL POLE

MODEL 1274 30 ft. Pole, Flag, and Mesh (800 lbs)

Material: A two piece post design with 5-9/16" O.D. galvanized steel.

Standard finish is powder coated yellow.

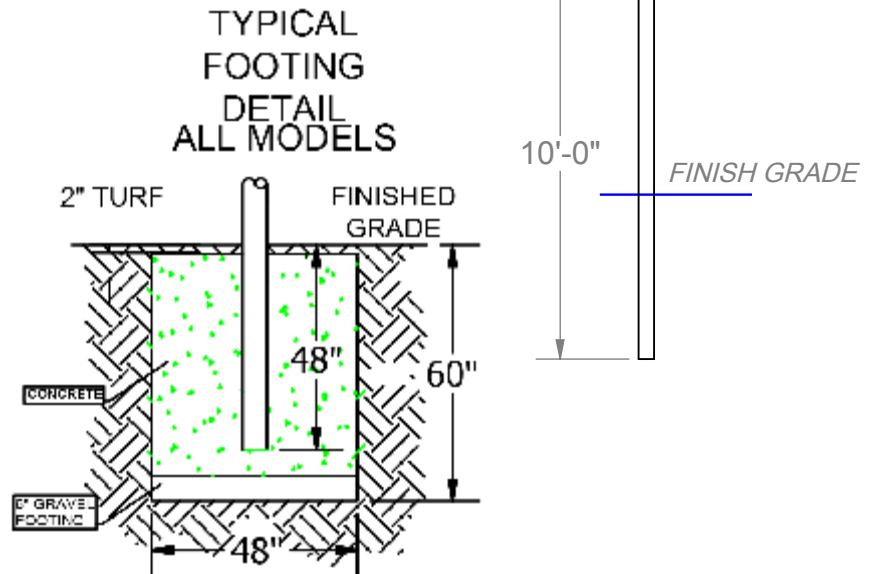
Warranty: Three years

Installation:

1. Dig hole per footing detail.
2. Attach wind flag on eyebolt at top of pole before setting post into place.
3. Model 1274 (30 ft. Foul Poles) have a 5-9/16" O.D. support post and are made as a two-piece unit. Shim or fill from below so that the top of support post is 6 ft. above finish grade. Note: At this time, orient the flag to face desired direction inside foul line.
4. Pour concrete to within 2" of finish grade. Allow concrete to set for 3 days prior to removal of bracing and completion of installation.
5. Rotate the flag to desired direction inside foul line and set screw to hold.
6. Cover the footing with soil or turf up to the finish grade.

POST/SLEEVE ALIGNMENT:

When joining two sections of post, tighten opposite set screws equally so that both top and bottom pipe are aligned. Once aligned, fully tighten all set screws.



Date: 2/13/2014

Rev: SS32921

Drawn: MT

Sheet: 1 of 1

SPECIFICATION / INSTALLATION INSTRUCTIONS

PRO SERIES FOUL BALL POLE

MODEL NO.

1274