

# PRO SERIES FOUL BALL POLE

**MODEL 1275** 40 ft. Pole, Flag, and Mesh (745 lbs)

**Material:** A two piece post design with 5-9/16" O.D. galvanized steel.

Standard finish is powder coated yellow.

**Warranty:** Three years

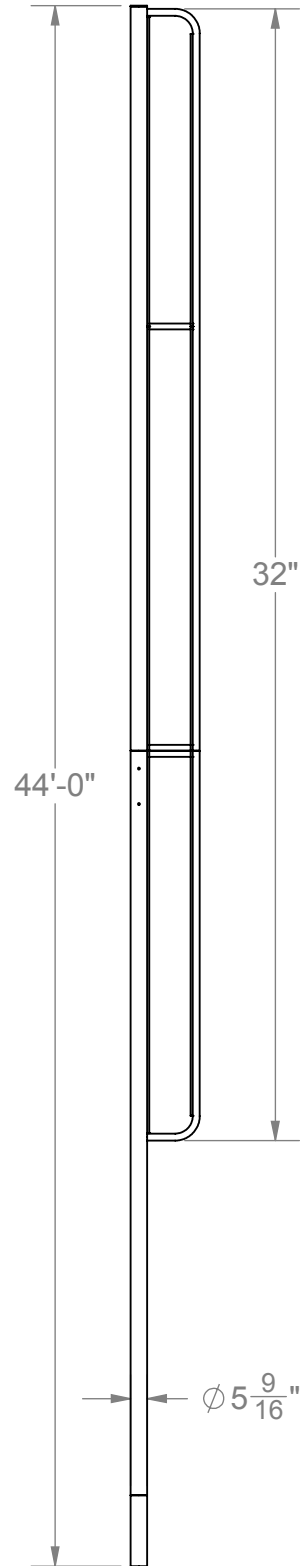
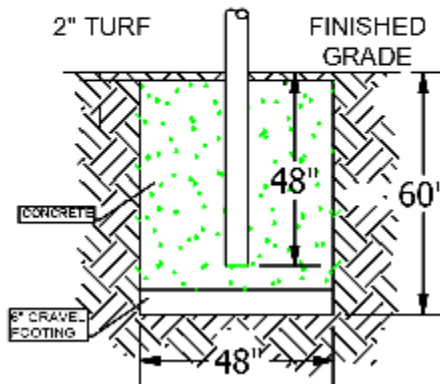
**Installation:**

1. Dig hole per footing detail.
2. Attach wind flag on eyebolt at top of pole before setting post into place.
3. Model 1275 (40 ft. Foul Poles) have a 5-9/16" O.D. support post and are made as a two-piece unit. Shim or fill from below so that the top of support post is 8 ft. above finish grade. Note: At this time, orient the flag to face desired direction inside foul line.
4. Pour concrete to within 2" of finish grade. Allow concrete to set for 3 days prior to removal of bracing and completion of installation.
5. Rotate the flag to desired direction inside foul line and set screw to hold.
6. Cover the footing with soil or turf up to the finish grade.

**POST/SLEEVE ALIGNMENT:**

When joining two sections of post, tighten opposite set screws equally so that both top and bottom pipe are aligned. Once aligned, fully tighten all set screws.

TYPICAL FOOTING DETAIL ALL MODELS



Date: 8/22/16  
 Rev: 8/22/16  
 Drawn: MT  
 Sheet: 1 of 2

**SPECIFICATION / INSTALLATION INSTRUCTIONS**

PRO SERIES FOUL BALL POLES

MODEL NO.

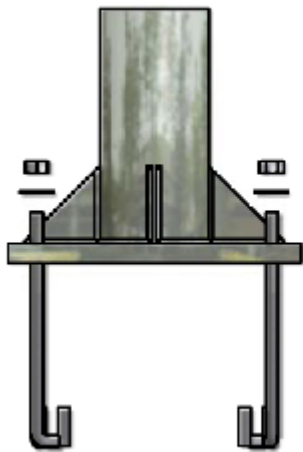
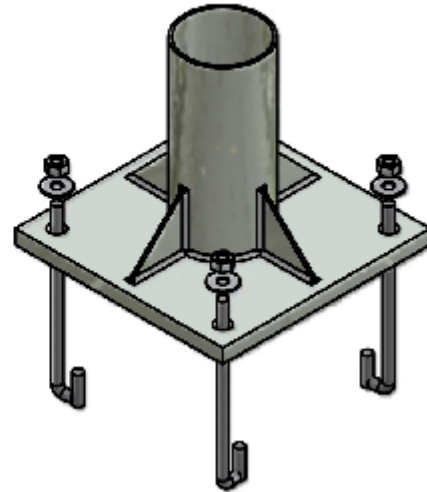
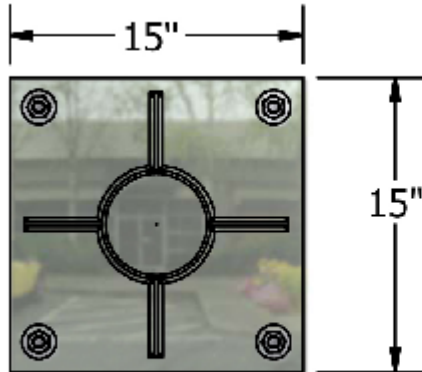
**1275**

# PRO SERIES FOUL BALL POLE

## *SURFACE MOUNT OPTION*

### ***EXTREMELY IMPORTANT:***

Surface mount plates can be welded to the base posts for that option but it is still necessary to anchor the base posts with the suggested minimum amount of concrete footing. It is also suggested that the installer tie his anchors into the concrete footing with a rebar cage of installers design. Consult local building codes for safest desired amounts.



Recommended anchoring systems do not supersede any local building codes. Hardware for anchoring is not included.

NOTE: Footing sizes are based on average soil conditions. Loose and/or sandy soil is not average and footing sizes must be increased according to meet local soil conditions.



Date: 9/15/15

Rev: 8/22/16

Drawn: MT

Sheet: 2 of 2

### **SPECIFICATIONS/INSTALLATION DRAWING**

*PRO SERIES FOUL BALL POLE*

MODEL NO.

**1275**