

SITE FURNISHINGS

MODEL #1304-06 6FT. BENCH W/O BACK REST (192LBS)

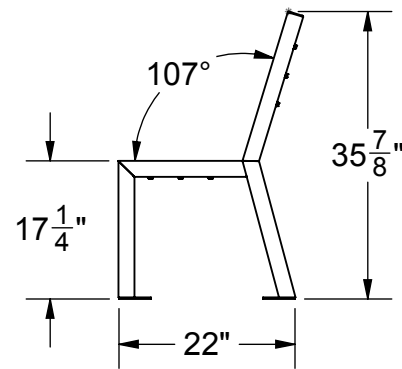
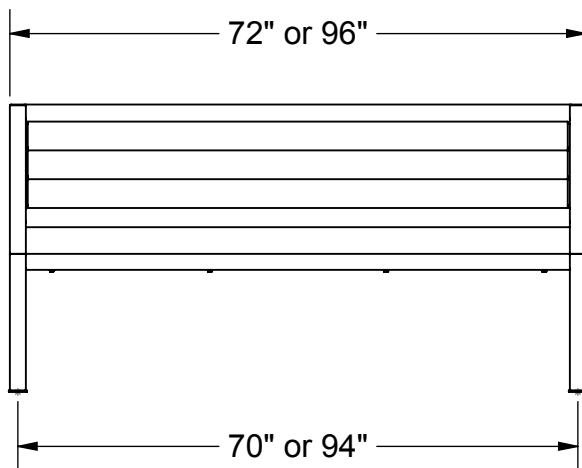
MODEL #1304-08 8FT. BENCH W/O BACK REST (212LBS)

SPECIFICATIONS:

1. LEG & FRAME: 2" x 2" square steel tubing
2. PLANKS: Recycled 2" x 4" HDPE plastic.
(Nominal 1-3/4" x 3-1/2")
3. CENTER SEAT SUPPORTS: 1-1/2" steel flat strap
4. HARDWARE: All hardware is stainless steel.
5. Warranty Period: 3 years.

**BENCH COMES ASSEMBLED.
SURFACE MOUNTING IS STANDARD**

Packing Slip	
Description	Qty
2" x 2" Tube Steel Frame	1
2x4 RCP Planks	6
1/4" x 1" SS Wood Screw	24



(NOTE: BENCH MAY BE ANCHORED. ANCHORING HARDWARE NOT INCLUDED.)



Date: 3/4/2015

Rev: 2/22/17

Drawn: MT

Sheet: 1 of 1

SPECIFICATION/INSTALLATION INSTRUCTIONS
RECYCLED PLASTIC BENCH W/O BACKREST

MODEL NO.

1304-06 &-08