

SITE FURNISHINGS

MODEL #1307 32 GAL. LITTER RECEPTACLE WITH:

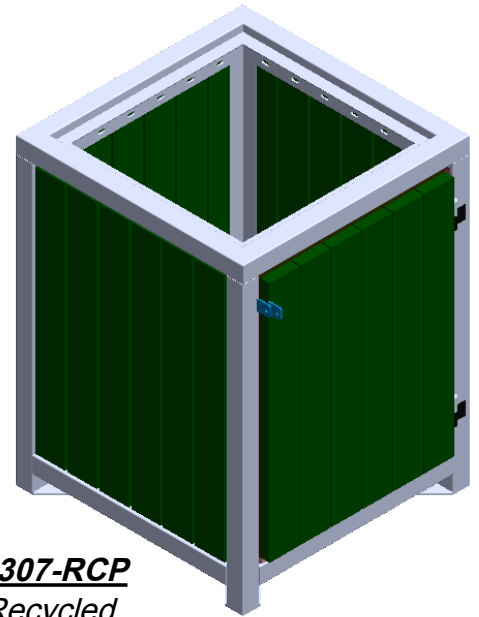
MODEL #1307-02RCP 2"x4" Recycled Plastic Sides (265 lbs)

MODEL #1307-02BAR 1-1/2" x 1/4" Steel Bar Sides (265 lbs)

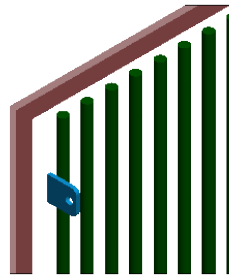
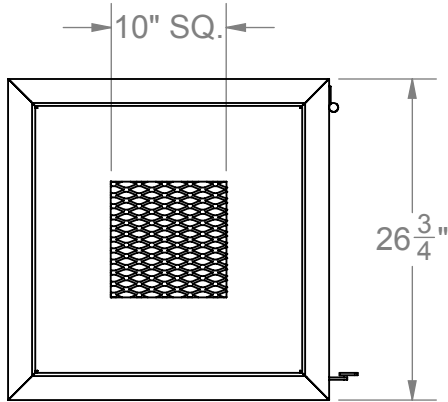
MODEL #1307-02ROD 1/2" Steel Rod Sides (265 lbs)

MODEL #1307-02SQT 3/4" Square Steel Tube Sides (265 lbs)

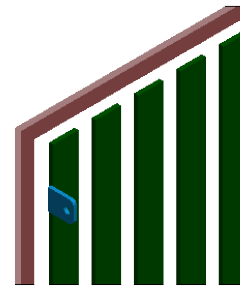
--SIDE DOOR OPTION--



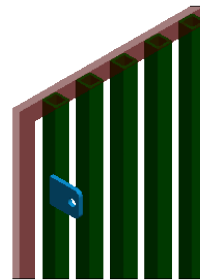
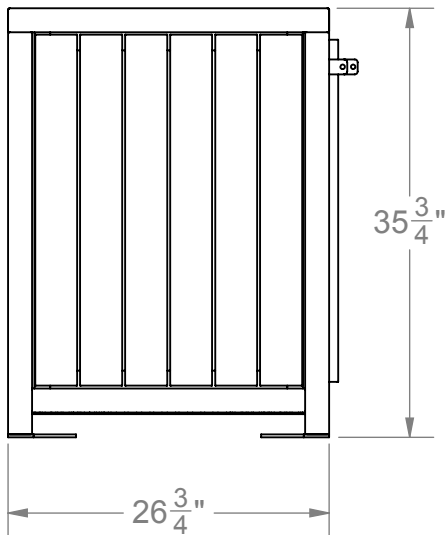
1307-RCP
Recycled
Plastic Sides



1307-ROD
1/2" Steel
Rod Sides



1307-BAR
1-1/2" Steel
Bar Sides



1307-SQT
3/4 Square
Steel Tube Sides


FOR POWDER COAT COLORS AND RECYCLED PLASTIC COLORS SEE BACK-INSIDE COVER OF PATTERSON-WILLIAMS CATALOG

RECEPTACLE COMES COMPLETELY ASSEMBLED. SURFACE MOUNTING IS STANDARD, & HARDWARE TO MOUNT IS NOT INCLUDED.

SPECIFICATIONS:

1. FRAME: 2" x 2" SQ. STEEL TUBE.
2. PLANKS: RECYCLED 2" x 4" HDPE PLASTIC. (Nominal 1-3/4" x 3-1/2")
3. HARDWARE: ALL HARDWARE IS STAINLESS STEEL.
4. WARRANTY PERIOD: 3 YEARS

(NOTE: RECEPTACLE MAY BE ANCHORED. ANCHORING HARDWARE NOT INCLUDED.)

	Date: 2/24/2015	SPECIFICATION/INSTALLATION INSTRUCTIONS
	Rev: 2/4/16	
	Drawn: MT	MODEL NO.
	Sheet: 1 of 1	1307 LITTER RECEPTACLE