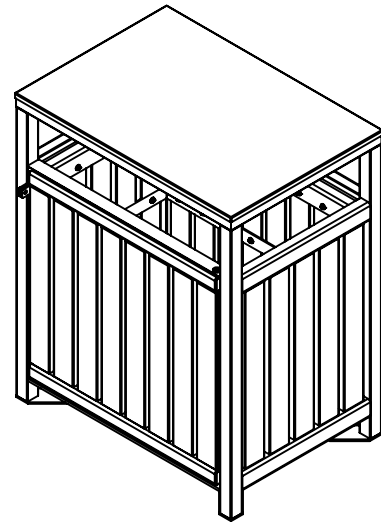
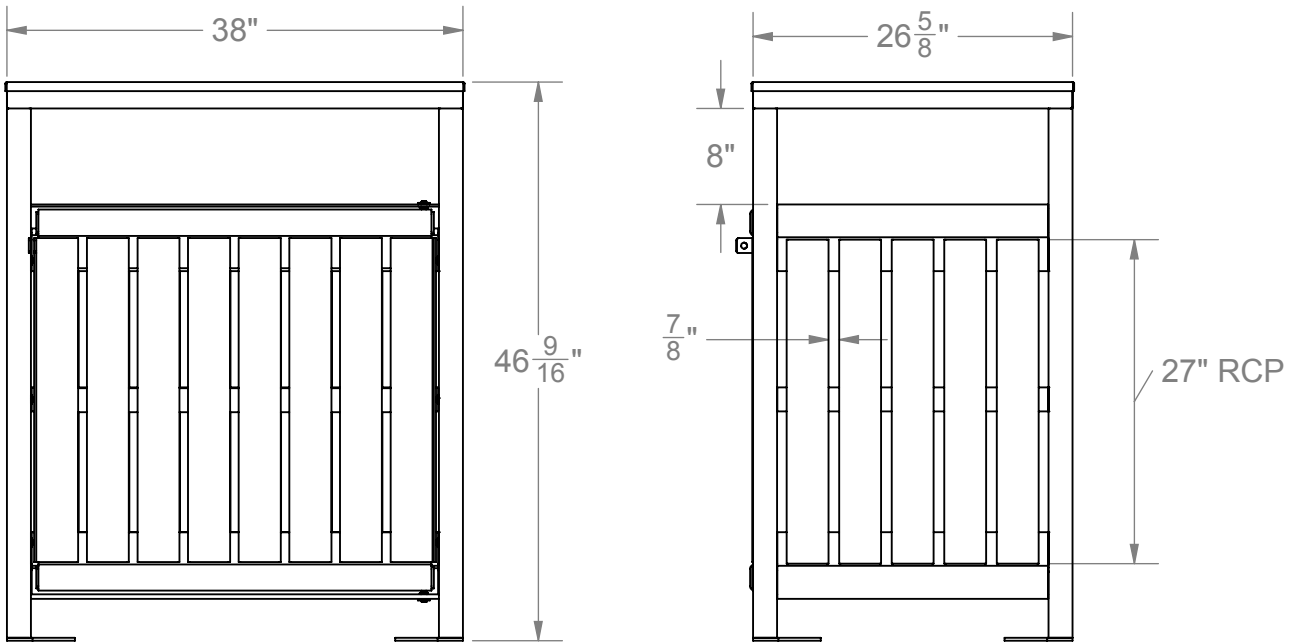


# LITTER RECEPTACLE

MODEL #1308-RCP RECEPTACLE WITH RECYCLED PLASTIC PLANKS



## Specifications:

### Steel:

Steel plate and bar conform to the requirements of ASTM A36.

Steel tube conforms to the requirements of ASTM A787 and A653.


Welding conforms to the requirements of the American Welding Society's specifications for the material being welded. All welds ground smooth.

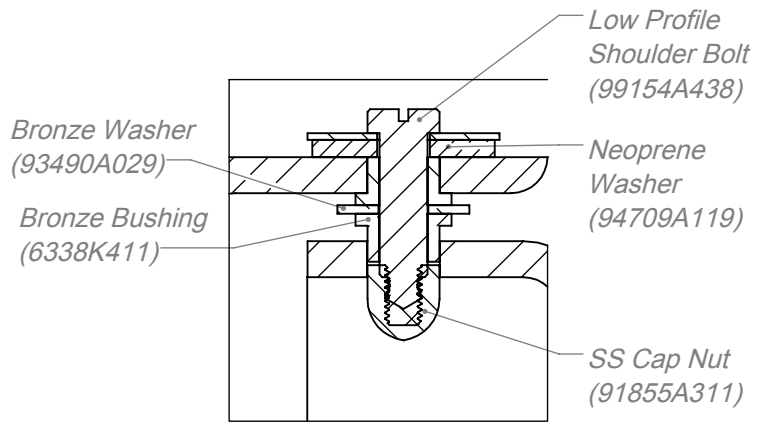
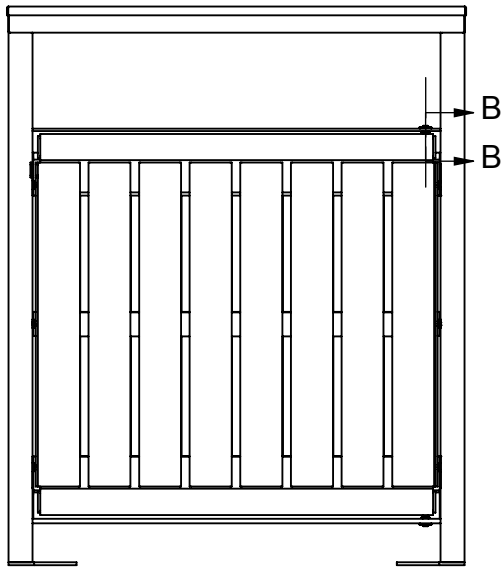
### Plastic:

Plastic lumber conforms to the requirements of Polytuf HDPE plastic lumber requirements.

### Finish:

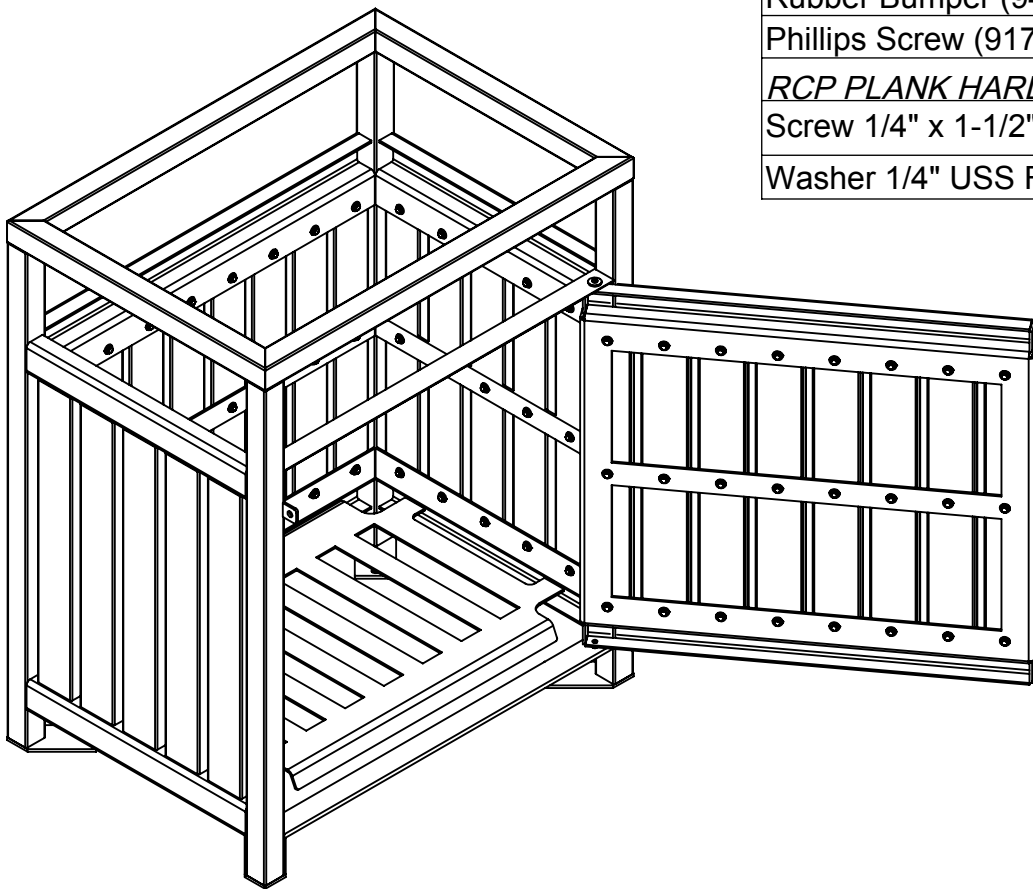
Steel components available galvanized or coated with polyester TGIC powder coat finish meeting AAMA 2604-02 specification. All fasteners shall be zinc plated.

 <p>ATHLETIC MFG. CO. <b>Patterson-Williams</b> QUALITY ATHLETIC AND PARK EQUIPMENT SINCE 1919</p>	Date: 5/20/15	<b>SPECIFICATION / INSTALLATION INSTRUCTIONS</b> <i>LITTER RECEPTACLE</i>
	Rev: 5/31/16	
	Drawn: MT	MODEL NO.
	Sheet: 1 of 2	<b>1308-RCP</b>



**SECTION B-B**

DESCRIPTION	QTY
Shoulder Bolt (99154A438)	2
Neoprene Washer (94709A119)	2
Bronze Bushing (6338K411)	4
Bronze Washer (93490A029)	2
SS Cap Nut (91855A311)	2
Rubber Bumper (9405K77)	2
Phillips Screw (91773A827)	2
<b>RCP PLANK HARDWARE</b>	
Screw 1/4" x 1-1/2" Lag HXHD ZN	78
Washer 1/4" USS Flat ZN	78



Date: 5/20/15  
 Rev: 5/31/16  
 Drawn: MT  
 Sheet: 2 of 2

**SPECIFICATION / INSTALLATION INSTRUCTIONS**

*LITTER RECEPTACLE*

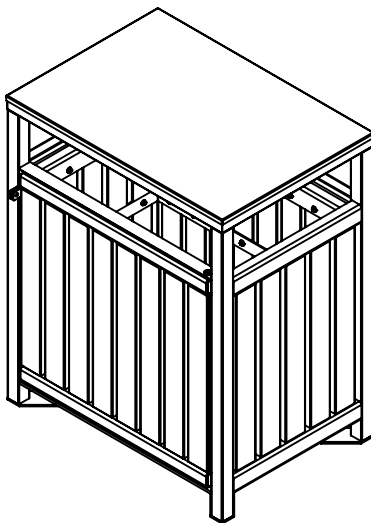
MODEL NO.

**1308-RCP**

# Pick Ticket

Internal use only return to office with packet

Shipping to pull Plank. Trash can should come to shipping assembled



<i>DESCRIPTION</i>	<i>QTY</i>
Shoulder Bolt (99154A438)	2
Neoprene Washer (94709A119)	2
Bronze Bushing (6338K411)	4
Bronze Washer (93490A029)	2
SS Cap Nut (91855A311)	2
Rubber Bumper (9405K77)	2
Phillips Screw (91773A827)	2
<i>RCP PLANK HARDWARE</i>	
Screw 1/4" x 1-1/2" Lag HXHD ZN	78
Washer 1/4" USS Flat ZN	78