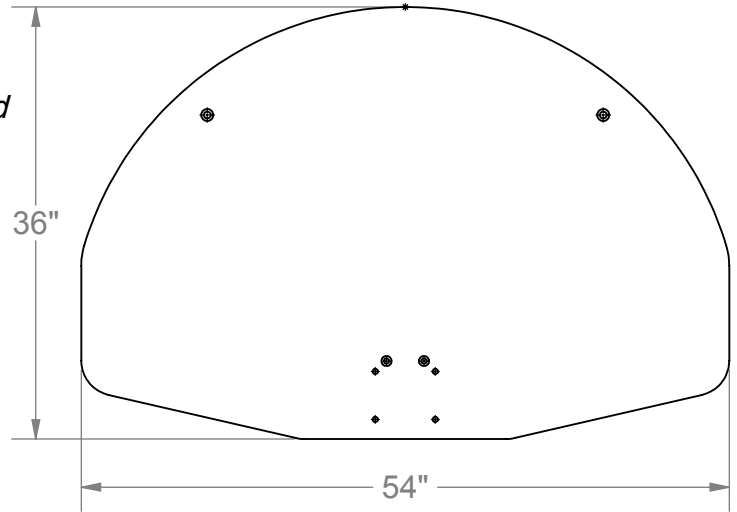


BASKETBALL BACKBOARD

MODEL #14 1/4" STEEL FAN, GALVANIZED (125lbs)

**Steel Fans: Model 14 is made of 1/4" galvanized steel and virtually indestructible, this heavy-duty steel fan will provide a lifetime of use. Intended for seacoast locations or areas where high corrosion rates prevail.*



GENERAL: For installation of backboards to PW Athletic posts ONLY. For other manufacturer's posts and backboards, please consult the installation instructions provided by the manufacturer.

Model 14 backboards are equipped with a 6-hole mounting pattern. These boards require the use of the two countersunk holes on the face of each board.

NOTE: These two holes are used for attaching the backboard to the GNP sleeve and are only used to aid in installation. This allows the board to be mounted to the post prior to installing or replacing the rim.


Always use the goal ring holes to secure the backboard to the mounting plate.

1. Align the countersunk holes with the holes on the GNP sleeve and attach with a 3/8" x 2" Flat Head bolt.
NOTE: The flathead bolt will seat in the countersunk hole on the face of the backboard.
2. Use a 7/32" hex key wrench to hold the flathead bolt and secure with 3/8" flat washers and nuts.
NOTE: The Rim and Backboard are to be mounted securely to the sleeve adapter (GNP).
Attach the sleeve to the Post and secure with set screw and two drive pins.
3. Align the Rim with the holes on Backboard and mounting plate and attach with 3/8" x 3-1/2" Hex Head bolts, Flat Washers and Nylock Nuts.
4. Attach the assembled Rim/Backboard/Sleeve to the Gooseneck Post.
5. For **Adjustable Offset Goals**, attach Rim and Backboard with supplied hardware to the adjustable offset. Use the other half clamp and attach the assembly to the bottom of the post. Once all the hardware is snug, slide the assembly up the post to the desired height.

Caution: Flat washers must be used behind plate when mounting backboard.

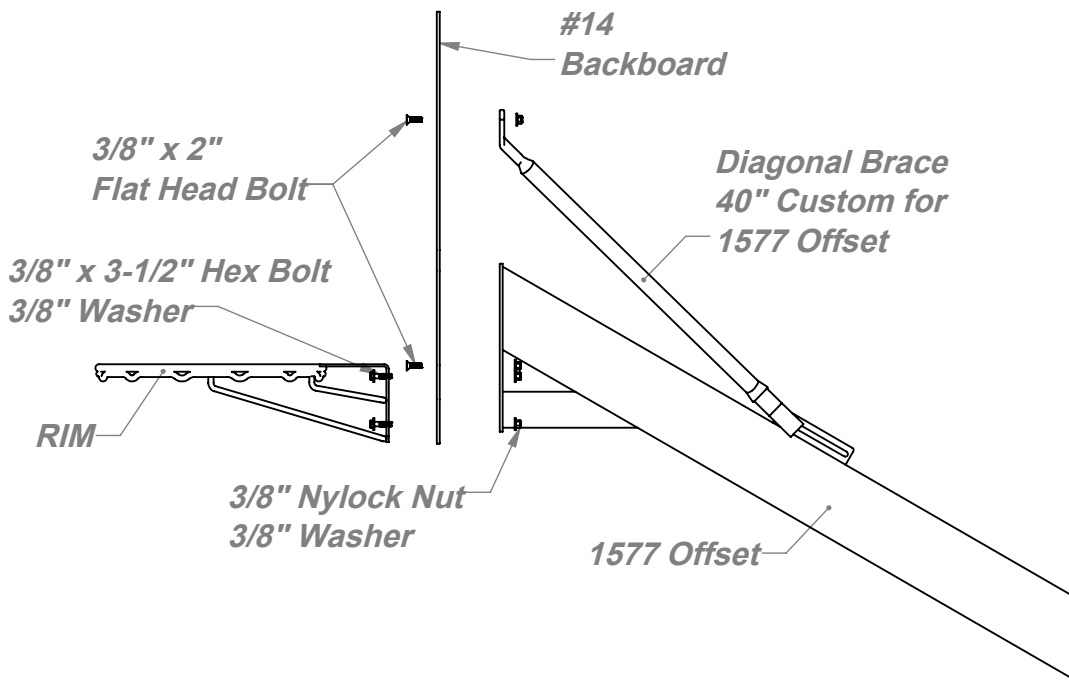
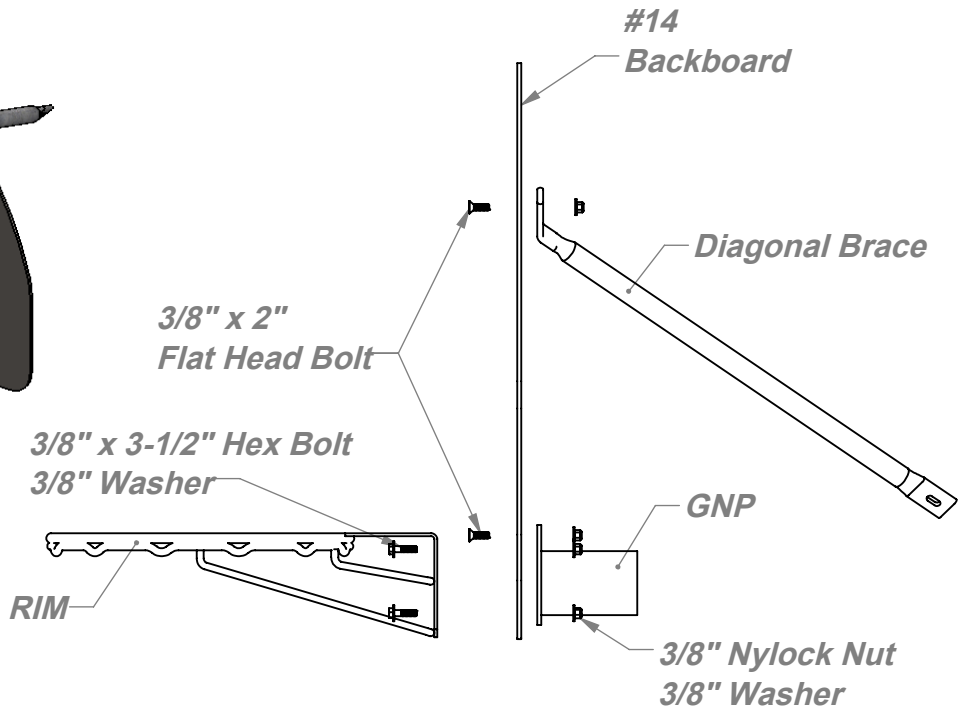
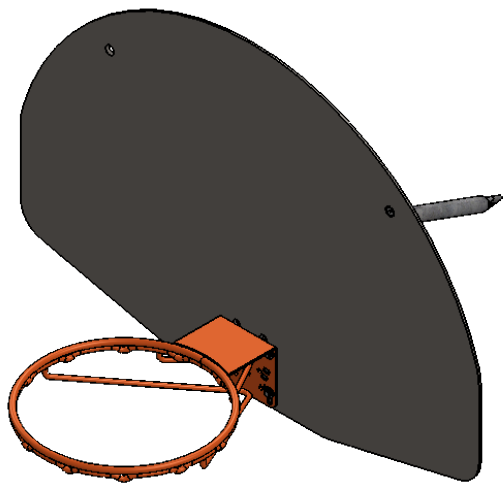
6. For **Diagonal Braces**, attach one end of the brace with a 3/8" x 2" Flat Head bolt to the top countersunk holes in the backboard with a 3/8" Washer and Nylock Nut.

NOTE: Hardware comes separately with each item (i.e. rim, backboard and post)

	Date:	4/16/15	SPECIFICATION / INSTALLATION INSTRUCTIONS STEEL "FAN" BASKETBALL BACKBOARD
	Rev:	12/6/22	
	Drawn:	SS	MODEL NO.
	Sheet:	1 of 3	14

14 BACKBOARD

Diagonal Brace Installation: Diagonal brace installation varies depending on which upright post is ordered. Plumb backboard and goal ring true and level (shim if necessary). Tighten all hardware securely. Install net. If the goal ring is equipped with a chain net, make sure all S-hooks are fully closed.



Date: 4/8/15
 Rev: 12/6/22
 Drawn: MT
 Sheet: 2 of 3

SPECIFICATION / INSTALLATION INSTRUCTIONS

STEEL "FAN" BASKETBALL BACKBOARD

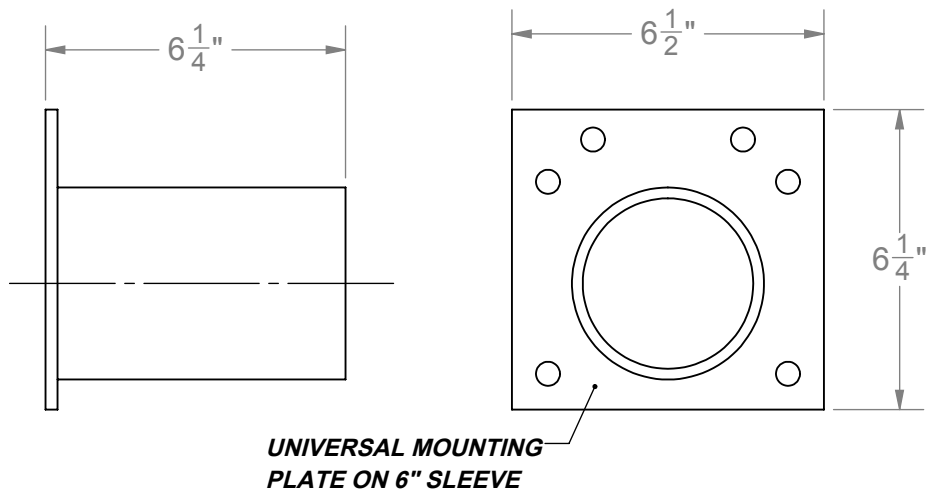
MODEL NO.

14

BACKBOARD GNP

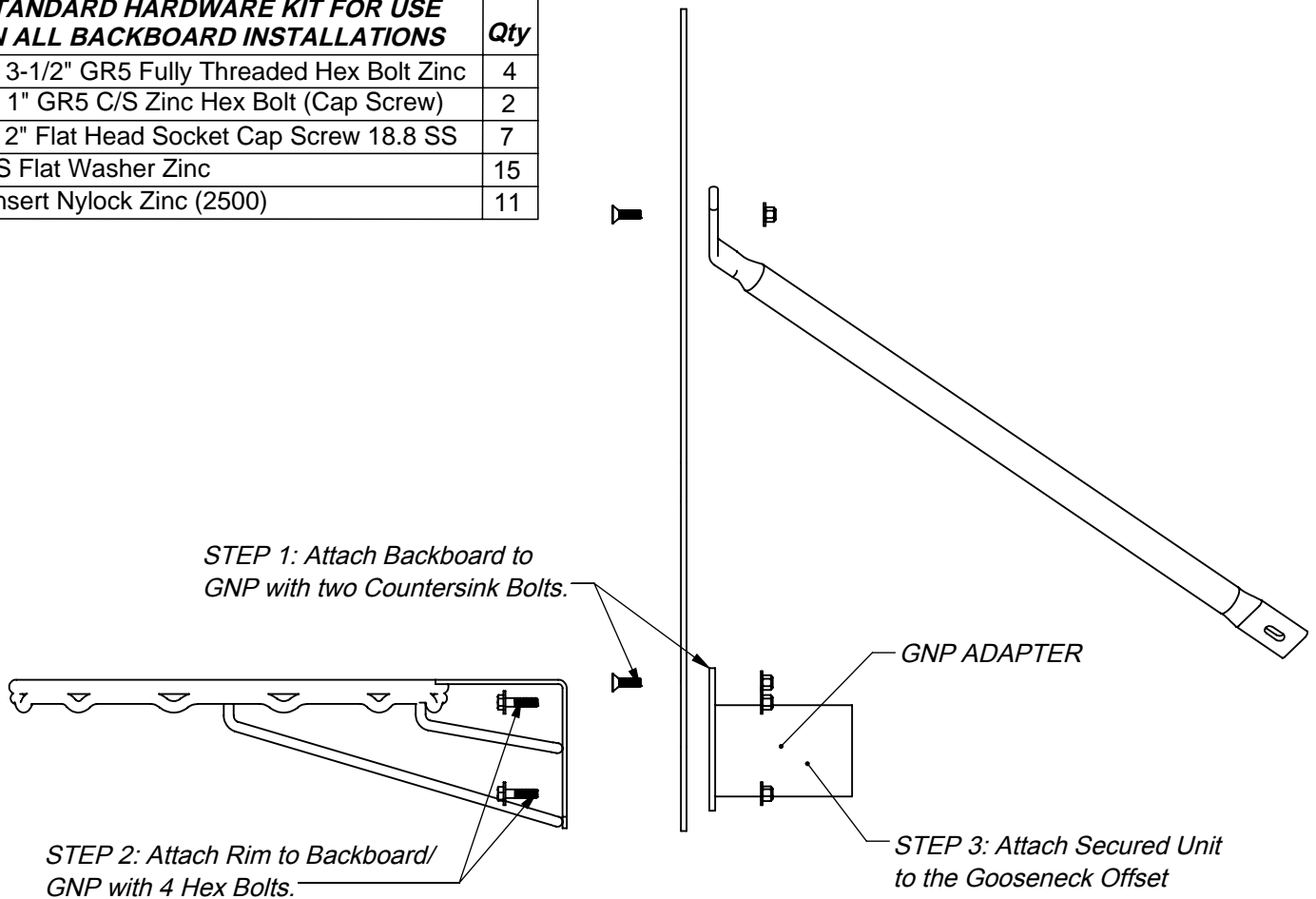
NOTE: Sleeves supplied with PW Goosneck Post ONLY

Post Size	Sleeve Size
3.5"	3"
4.5"	4"
5.563"	5"
6.625"	6"



**ONCE THE UNIT IS SECURED TO THE GOOSENECK,
TIGHTEN SET SCREW AND SECURE WITH DRIVE PINS.**

STANDARD HARDWARE KIT FOR USE ON ALL BACKBOARD INSTALLATIONS	Qty
3/8-16 x 3-1/2" GR5 Fully Threaded Hex Bolt Zinc	4
3/8-16 x 1" GR5 C/S Zinc Hex Bolt (Cap Screw)	2
3/8-16 x 2" Flat Head Socket Cap Screw 18.8 SS	7
3/8" USS Flat Washer Zinc	15
3/8-16 Insert Nylock Zinc (2500)	11



Date: 4/8/15
 Rev: 12/6/22
 Drawn: SS
 Sheet: 3 of 3

SPECIFICATION / INSTALLATION INSTRUCTIONS
 STEEL "FAN" BASKETBALL BACKBOARD
 MODEL NO. **14**