

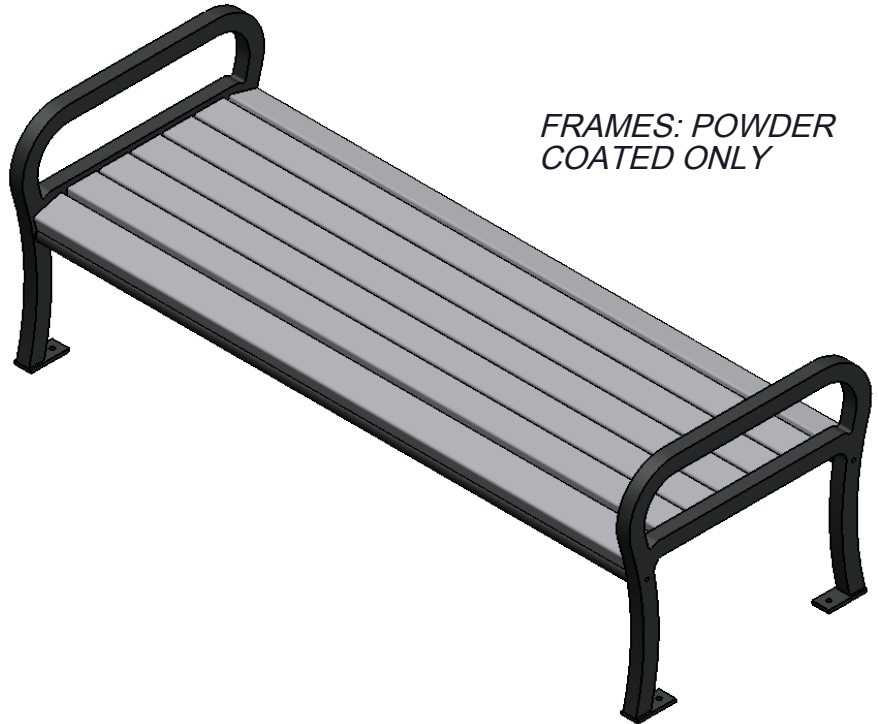
SITE FURNISHINGS

MODEL #1410-06 6 FT. BENCH W/ BACK (280 LBS)
MODEL #1410-08 8 FT. BENCH W/ BACK (300 LBS)

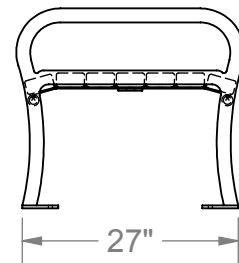
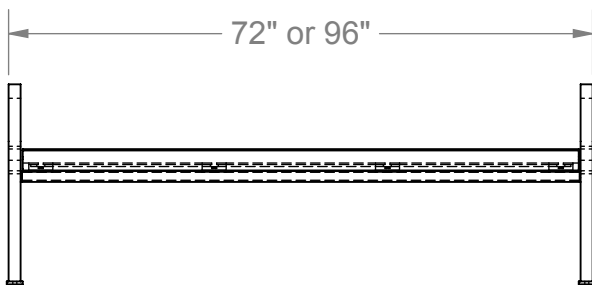
SPECIFICATIONS:

The end frames are 1-1/2" extruded aluminum or 1" solid steel and the seat frames consist 3" Steel Flat Bar Underframe welded to 1-3/8" Tube, and (2) 3" Steel Straps running perpendicular to the planks to provide exceptional strength and to keep the RCP Planks from bowing in the center. The planks are 2" x 4" nominal Recycled Plastic and spaced approximately 1/4" apart. The bench ships in three pieces including two end frames and with the planks already installed on the seat frame structure.

FOR POWDER COAT COLORS AND RECYCLED PLASTIC COLORS SEE BACK-INSIDE COVER OF PATTERSON-WILLIAMS CATALOG



FRAMES: POWDER COATED ONLY



(NOTE: BENCH MAY BE ANCHORED. ANCHORING HARDWARE NOT INCLUDED.)



SITE FURNISHINGS

SCALE: N.T.S.
 DATE: 6/11/2013
 DRAWN: MT
 REV: 2/22/17
 SHEET: 1 of 2

SPECIFICATION / INSTALLATION INSTRUCTIONS

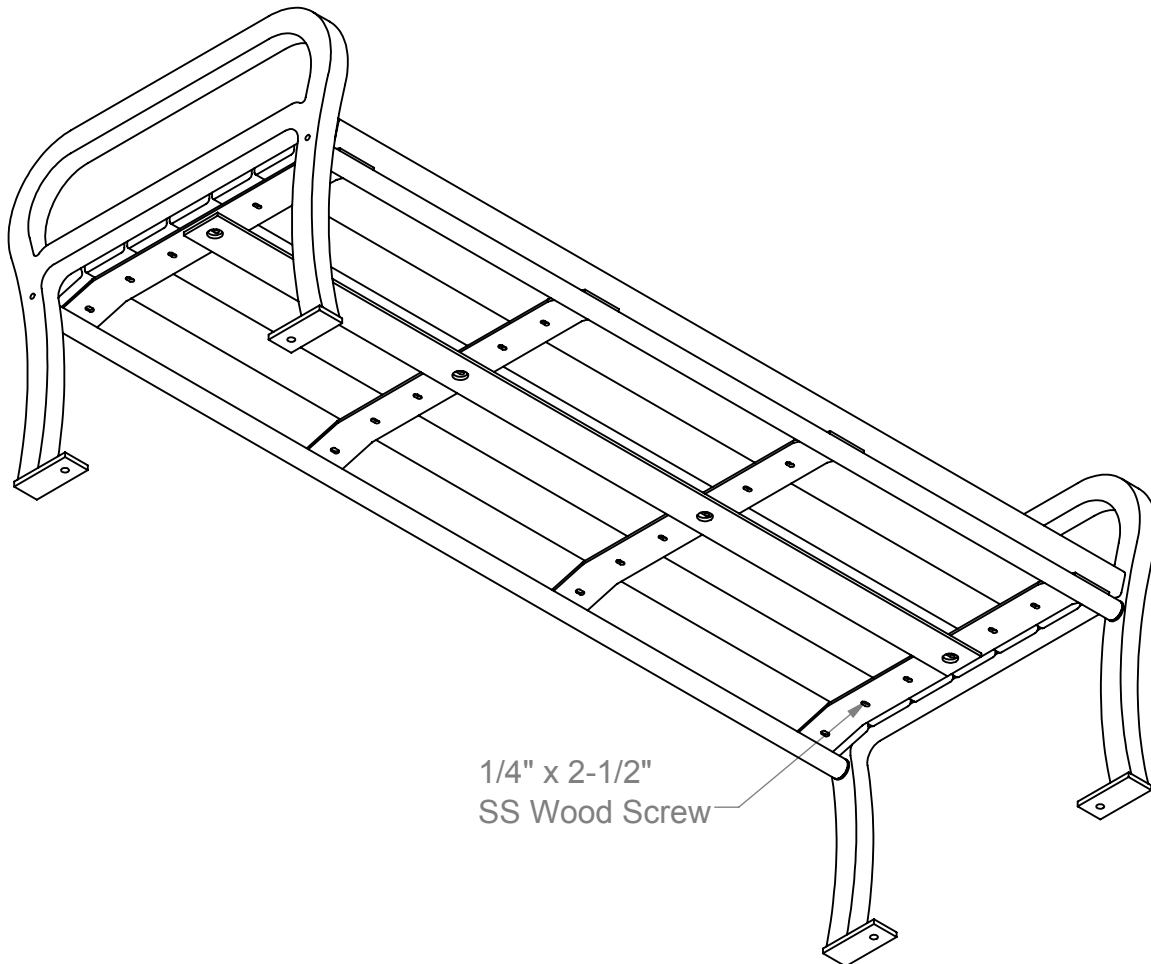
BENCH WITHOUT BACK

1410-06 & -08

SITE FURNISHINGS

Use (2) 3/8" x 2-1/2" Button Head Socket Screws and Washers to secure the top of the seat frame to the back of the end frame, and (4) 3/8" x 2-1/2" Button Head Socket Screws and Washers to secure the bottom of the seat frame to the end frame.

Hardware Kit	Qty -06	Qty -08
5/16" x 2-1/2" Button Head Socket Screw	5	5
3/8" x 1" Button Head Barrel Nut	2	2
1/4" x 2-1/2" Stainless Steel Wood Screw(RCP)	40	50
3/8" Flat Washer	6	6



SITE FURNISHINGS

SCALE: N.T.S.
 DATE: 6/11/2013
 DRAWN: MT
 REV: 2/22/17
 SHEET: 2 of 2

SPECIFICATION / INSTALLATION INSTRUCTIONS

BENCH WITHOUT BACK

1410-06 & -08