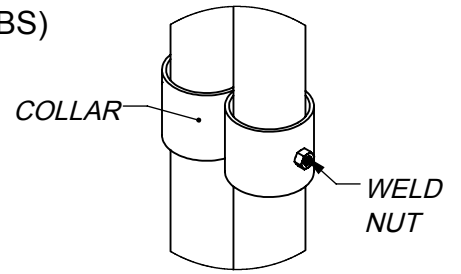
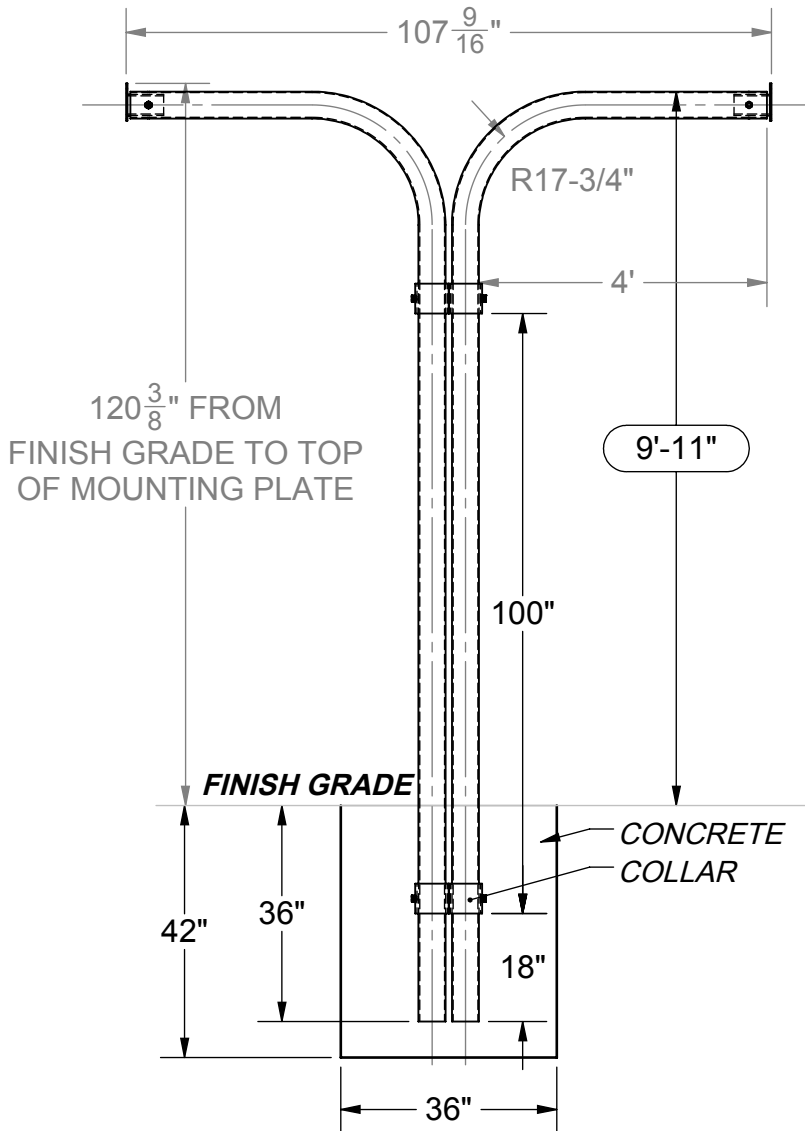


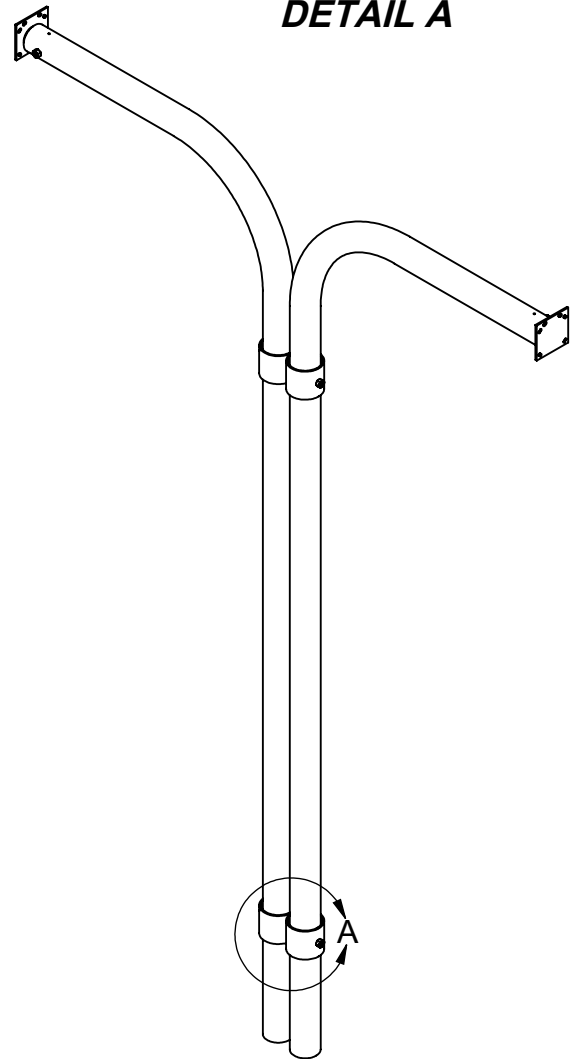
# BACK TO BACK GOOSENECK POSTS

MODEL #1514 4-1/2" O.D. WITH 4' OFFSET W/O BRACING (370 LBS)

Verify vertical position of mounting plate using level.




DETAIL A



## SPECIFICATIONS:

**Material:** Support post is a single length of 4-1/2" O.D. galvanized steel formed to provide a graceful 4 ft offset. Backboard mount is a 6-1/4" x 6-1/2" steel plate welded to the support post.

All welds are either treated with cold-galvanizing compound or prepared for powder coating, depending on finish selected. All hardware is zinc-coated for long rust-free service.

	Date: 2/23/16	<b>SPECIFICATION / INSTALLATION INSTRUCTIONS</b>
	Rev: JN4820	
	Drawn: MT	MODEL NO.
	Sheet: 1 of 2	<b>1514</b>

# PERMANENT FOOTING DETAIL

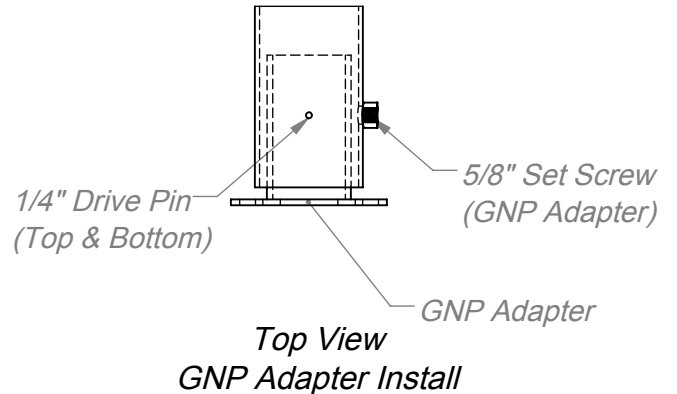
**NOTE:** Footing sizes are based on average soil conditions. Loose and/or sandy soil is not average and footing sizes must be increased accordingly to meet soil conditions and local building codes and specifications. Post depth is approximate, and should be adjusted to ensure that the top of the mounting plate is 10' 0-3/8" above finish grade.

## **INSTALLATION INSTRUCTIONS:**

1. Dig a hole in desired location per footing chart dimensions. Set the bottom of the post in center of the hole and shim from below or fill such that the top of the Gooseneck Post on the offset is (9' 11") above finish grade. Plumb post true vertical and brace. NOTE: Top of rim will be at 10' when installed.

**NOTE:** Verify that the backboard mounting plate is perpendicular to the surface by using a level (vertical) before pouring concrete.

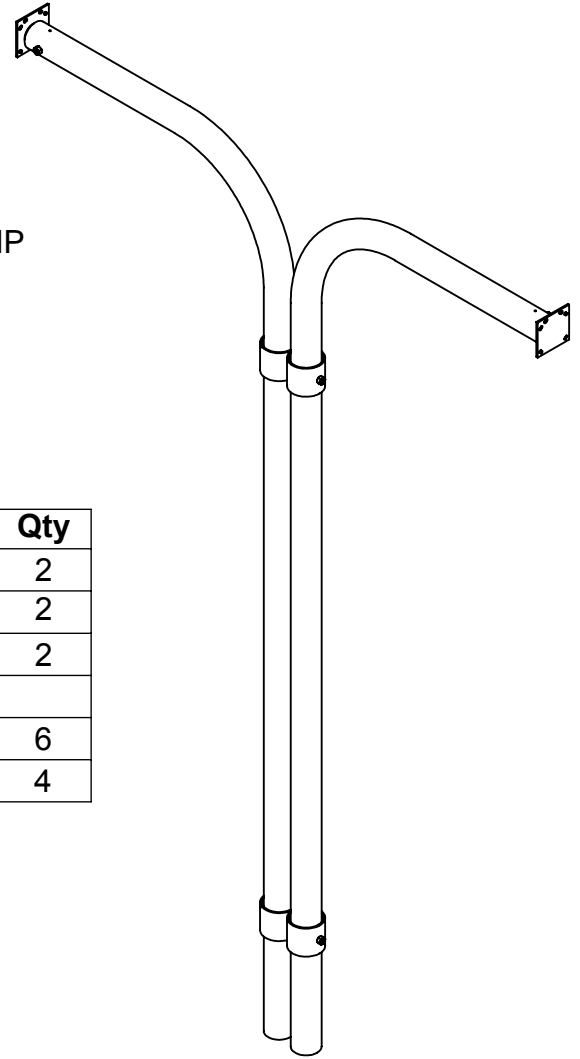
2. Pour concrete and allow the concrete to set for 3 days before removal of bracing and completion of installation. Cover footings with court materials.
3. \*Refer to backboard installation instructions to complete backboard & GNP Adapter installation.\*
4. Once everything is tightened drill 1/4" Drive Pin holes in the GNP Adapter through the Gooseneck holes on top & bottom of offset end with a 7/32" drill bit (Not Included).



Packing Slip	Qty
4-1/2" O.D. 4' Offset Gooseneck Post	2
4-1/2" GNP Adapter	2
4-1/2" Double Basketball Collar	2
<b>Hardware Kit</b>	
5/8"-11 x 1" Set Screw	6
1/4" SS Drive Pin	4

	Date: 2/23/16	<b>SPECIFICATION / INSTALLATION INSTRUCTIONS</b>
	Rev: JN4820	
	Drawn: MT	MODEL NO.
	Sheet: 2 of 2	<b>1514</b>

**Pick Ticket**  
Fabrication to provide Goosenecks  
Shipping to pull hardware, braces, and GNP



Part Number	Packing Slip	Qty
GN412X4	4-1/2" O.D. 4' Offset Gooseneck Post	2
GNP412	4-1/2" GNP Adapter	2
DUAL412	4-1/2" Double Basketball Collar	2
	<b>Hardware Kit</b>	
HWSC581	5/8"-11 x 1" Set Screw	6
HWDS141	1/4" SS Drive Pin	4