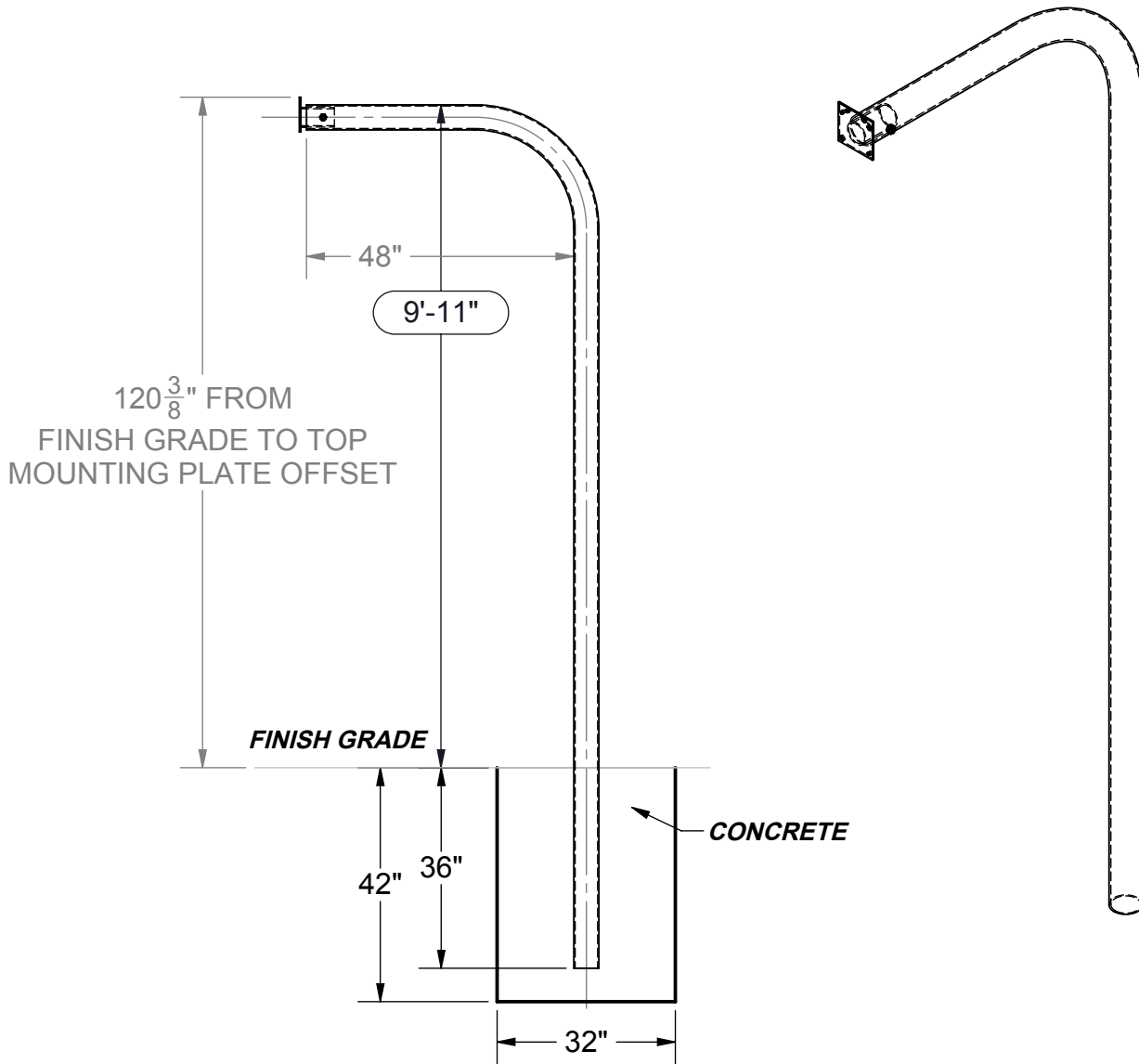


SINGLE BASKETBALL POST

MODEL #1516 4-1/2" O.D. WITH 4' OFFSET W/O BRACING (178 LBS)


Verify vertical position of mounting plate using level.



SPECIFICATIONS:

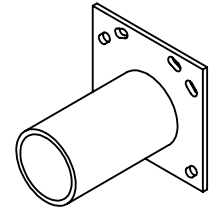
Material: Support post is a single length of 4-1/2" O.D. galvanized steel formed to provide a graceful 4 ft offset. Backboard mount is a 6-1/4" x 6-1/2" steel plate welded to the sleeve adapter then mounted to support post with set screw & drive pin.

All Welds are either treated with cold-galvanizing compound and silver paint or prepared for powder coating, depending on finish selected. All hardware is zinc-plated for long rust-free service.

 <p>ATHLETIC MFG. CO.</p>	Date: 2/23/16	SPECIFICATION / INSTALLATION INSTRUCTIONS
	Rev: SS81717	
	Drawn: MT	MODEL NO.
	Sheet: 1 of 2	1516

PERMANENT FOOTING DETAIL

NOTE: Footing sizes are based on average soil conditions. Loose and/or sandy soil is not average and footing sizes must be increased accordingly to meet soil conditions and local building codes and specifications. Post depth is approximate, and should be adjusted to ensure that the top of the Gooseneck offset post is 9'-11" above finish grade.



**Backboard/Rim
Gooseneck Sleeve**

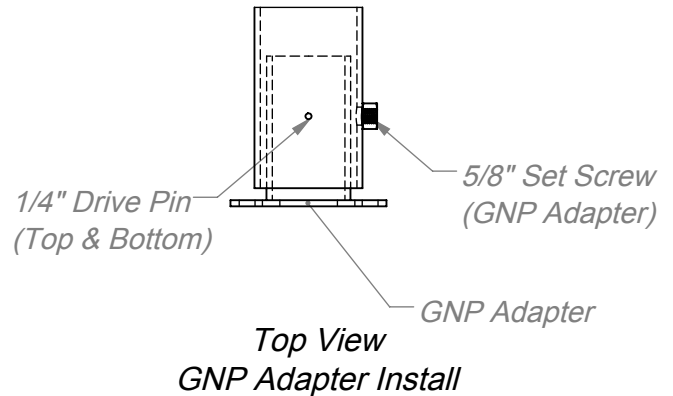
INSTALLATION INSTRUCTIONS:

1. Dig a hole in desired location per footing chart dimensions. Set the bottom of the post in center of the hole and shim from below or fill such that the top of the Gooseneck Post on the offset is (9' 11") above finish grade. Plumb post true vertical and brace. NOTE: Top of rim will be at 10' when installed.

NOTE: Verify that the backboard mounting plate is perpendicular to the surface by using a level (vertical) before pouring concrete.

2. Pour concrete and allow the concrete to set for 3 days before removal of bracing and completion of installation. Cover footings with turf or court materials.
3. *Refer to backboard installation instructions to complete backboard & GNP Adapter installation.*
4. Once everything is tightened drill 1/4" Drive Pin holes in the GNP Adapter through the Gooseneck holes on top & bottom of offset end with the undersized (7/32" Drill Bit).

Packing Slip	Qty
4-1/2" O.D. 4' Offset Gooseneck Post	1
4" GNP Adapter	1
Hardware Kit	
5/8"-11 x 3/4" Socket Hd. Set Screw	1
1/4" SS Drive Pin	2
5/16" Hex Key Wrench	1



Date: 2/23/16
 Rev: SS81717
 Drawn: MT
 Sheet: 2 of 2

SPECIFICATION / INSTALLATION INSTRUCTIONS

SINGLE POST GOOSENECK

MODEL NO.

1516

Pick Ticket

Fabrication to provide Gooseneck
Shipping to pull hardware, braces, and GNP



Packing Slip	Qty
4-1/2" O.D. 4' Offset Gooseneck Post	1
4" GNP Adapter	1
Hardware Kit	
5/8"-11 x 3/4" Socket Hd. Set Screw	1
1/4" SS Drive Pin	2
5/16" Hex Key Wrench	1