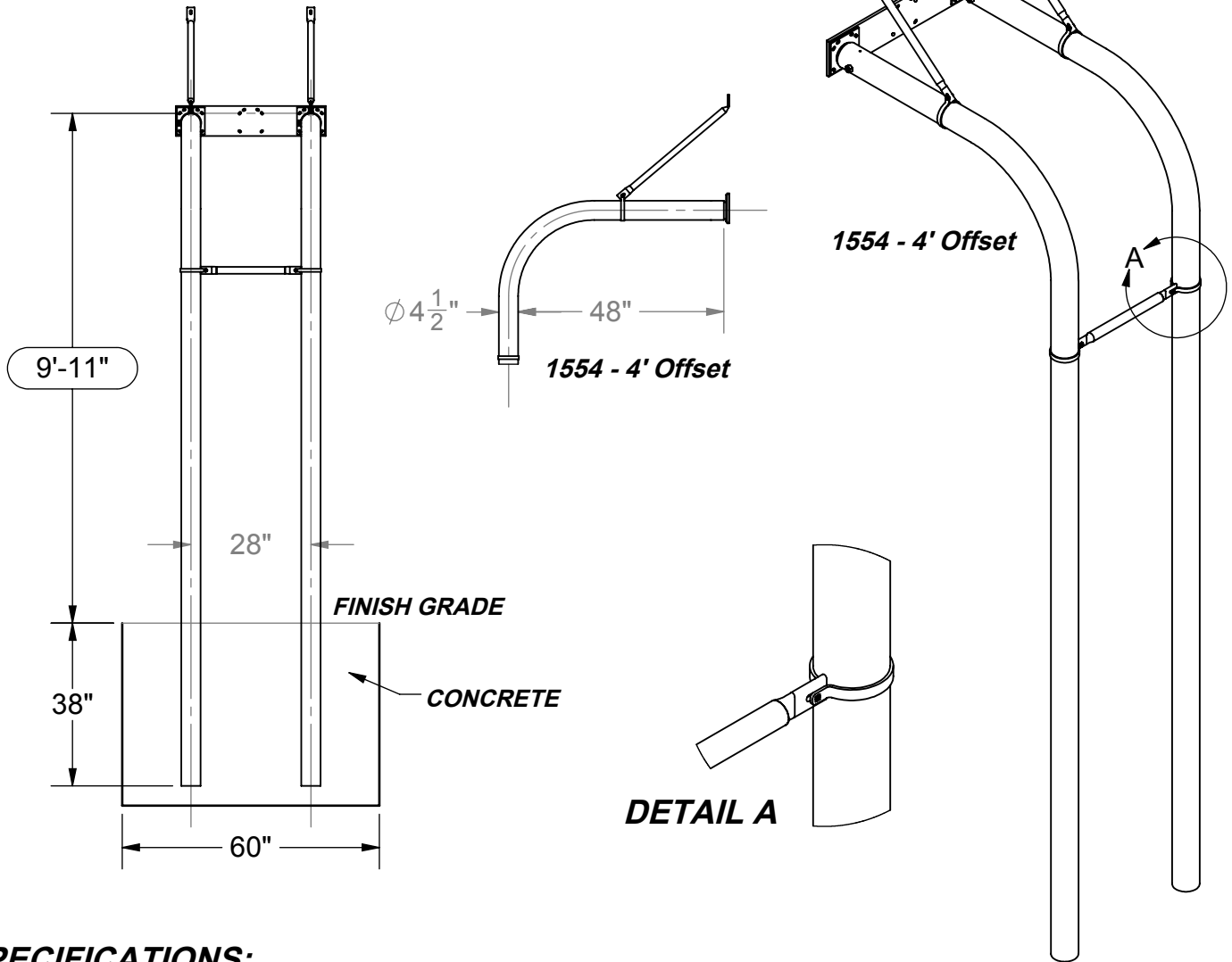


BACK TO BACK GOOSENECK POSTS

MODEL #1554 4-1/2" O.D. WITH 4' OFFSET WITH BRACING (280 LBS)

MODEL #1555 5-9/16" O.D. WITH 6' OFFSET WITH BRACING (305 LBS)


Verify vertical position of mounting plate using level.



SPECIFICATIONS:

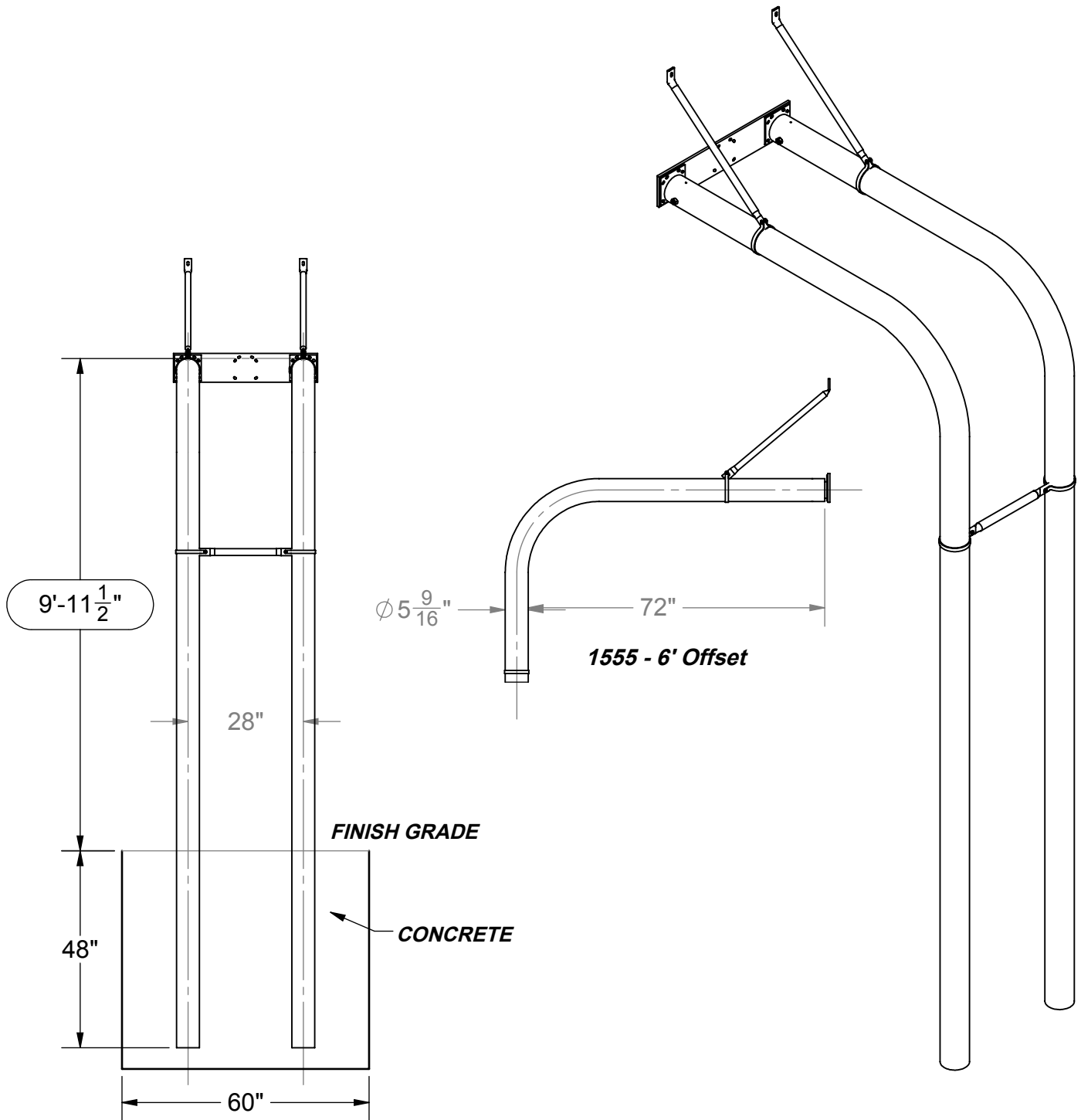
Material: Support posts consist of 2 single lengths of 4-1/2" O.D.(1554) & 5-9/16" O.D.(1555) Galvanized steel bent to form the offset. Backboard mount, 1/4" x 6" x 34-1/2" Galvanized steel plate is secured between the support posts to 1/4" x 6" x 6" galvanized steel plates which are welded to each post. The posts are connected with a 1-5/8" O.D. pipe brace, and a pair of 1/8" thick x 1" wide galvanized steel brace bands formed to fit the post diameter. A pair of diagonal braces made of 1-3/8" O.D. Galvanized steel are mounted between each backboard and the posts. Braces are attached to the support posts with Heavy Duty Brace Bands formed to fit the support posts. Braces vary pending on which backboard is ordered.

All welds are ground smooth and either treated with cold-galvanizing compound or prepared for powder coating, depending on finish selected. All hardware is zinc-plated for long rust-free service.

 <p>ATHLETIC MFG. CO.</p>	Date: 6/20/16	SPECIFICATION / INSTALLATION INSTRUCTIONS
	Rev: 7/15/16	
	Drawn: MT	MODEL NO.
	Sheet: 1 of 3	1554-1555

BACK TO BACK GOOSENECK POSTS

MODEL #1555 5-9/16" O.D. WITH 6' OFFSET WITH BRACING (305 LBS)



Date: 6/20/16
 Rev: 7/15/16
 Drawn: MT
 Sheet: 2 of 3

SPECIFICATION / INSTALLATION INSTRUCTIONS

SEPERATED DUAL POST GOOSENECK

MODEL NO.

1554-1555

PERMANENT FOOTING DETAIL

NOTE: Footing sizes are based on average soil conditions. Loose and/or sandy soil is not average and footing sizes must be increased accordingly to meet soil conditions and local building codes and specifications. Post depth is approximate, and should be adjusted to ensure that the top of the mounting plate is 10' 0-3/8" above finish grade.

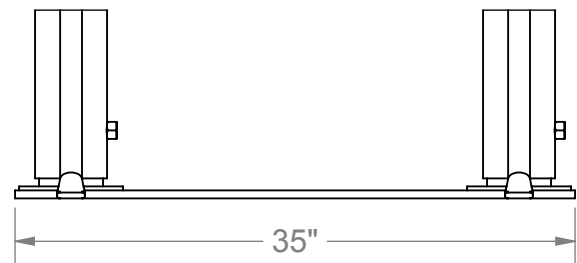
INSTALLATION INSTRUCTIONS:

1. Dig a hole in desired location per footing chart dimensions. Set the bottom of the post in center of the hole and shim from below or fill such that the top of the Gooseneck Post on the offset is (9' 11") above finish grade. Plumb post true vertical and brace. NOTE: Top of rim will be at 10' when installed.

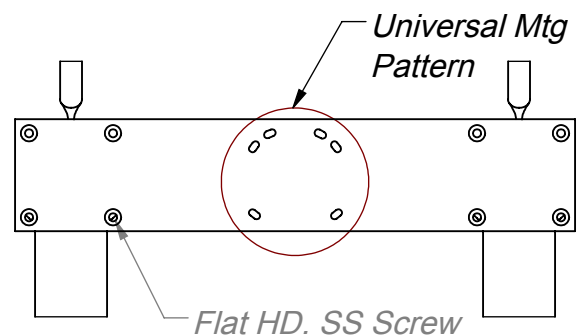
NOTE: Verify that the backboard mounting plate is perpendicular to the surface by using a level (vertical) before pouring concrete.

2. Pour concrete and allow the concrete to set for 3 days before removal of bracing and completion of installation. Cover footings with turf or court materials.
3. Attach diagonal braces with the brace bands and carriage bolts provided. Slip both brace bands onto post and attach with carriage bolts.
4. *Refer to backboard installation instructions to complete backboard & GNP Adapter installation.*
5. Slide brace bands and braces toward the back of the backboard until the opposite end of the diagonal brace aligns with attachment angles or nuts. NOTE: Attach the diagonal braces either to welded nuts or attachment angles, depending on backboard.
6. Tighten all bolts.
7. Once everything is tightened drill 1/4" Drive Pin holes in the GNP Adapter through the Gooseneck holes on top & bottom of offset end with the undersized (7/32" Drill Bit).

Packing Slip	1554	1555
4-1/2" O.D. 4' Offset Gooseneck Post	2	
4" GNP Adapter	2	
5-9/16" O.D. 6' Offset Gooseneck Post		2
5" GNP Adapter		2
Backboard Mounting Plate	1	1
35" Diagonal Brace	2	2
22-1/2" Post Brace		1
23-1/2" Post Brace	1	
Hardware Kit		
4-1/2" Heavy-Duty Brace Band	4	
5-9/16" Heavy-Duty Brace Band		4
3/8"-16 x 1-1/4" Carriage Bolt	4	4
5/16"-18 x 1-1/4" Carriage Bolt	4	4
3/8"-16 x 1-1/4" Flat Head Bolt	8	8
3/8" Nylock Nut	12	12
3/8" Flat Washers	8	8
5/8" Set Screws	2	2
1/4" Drive Pins	4	4
5/16" Hex Key Wrench	1	1
7/32 Hex Key Wrench	1	1



UNIVERSAL MOUNTING PLATE



Date: 6/20/16
 Rev: 7/15/16
 Drawn: MT
 Sheet: 3 of 3

SPECIFICATION / INSTALLATION INSTRUCTIONS

SEPERATED DUAL POST GOOSENECK

MODEL NO.

1554-1555