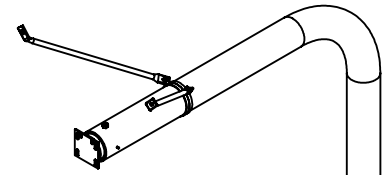


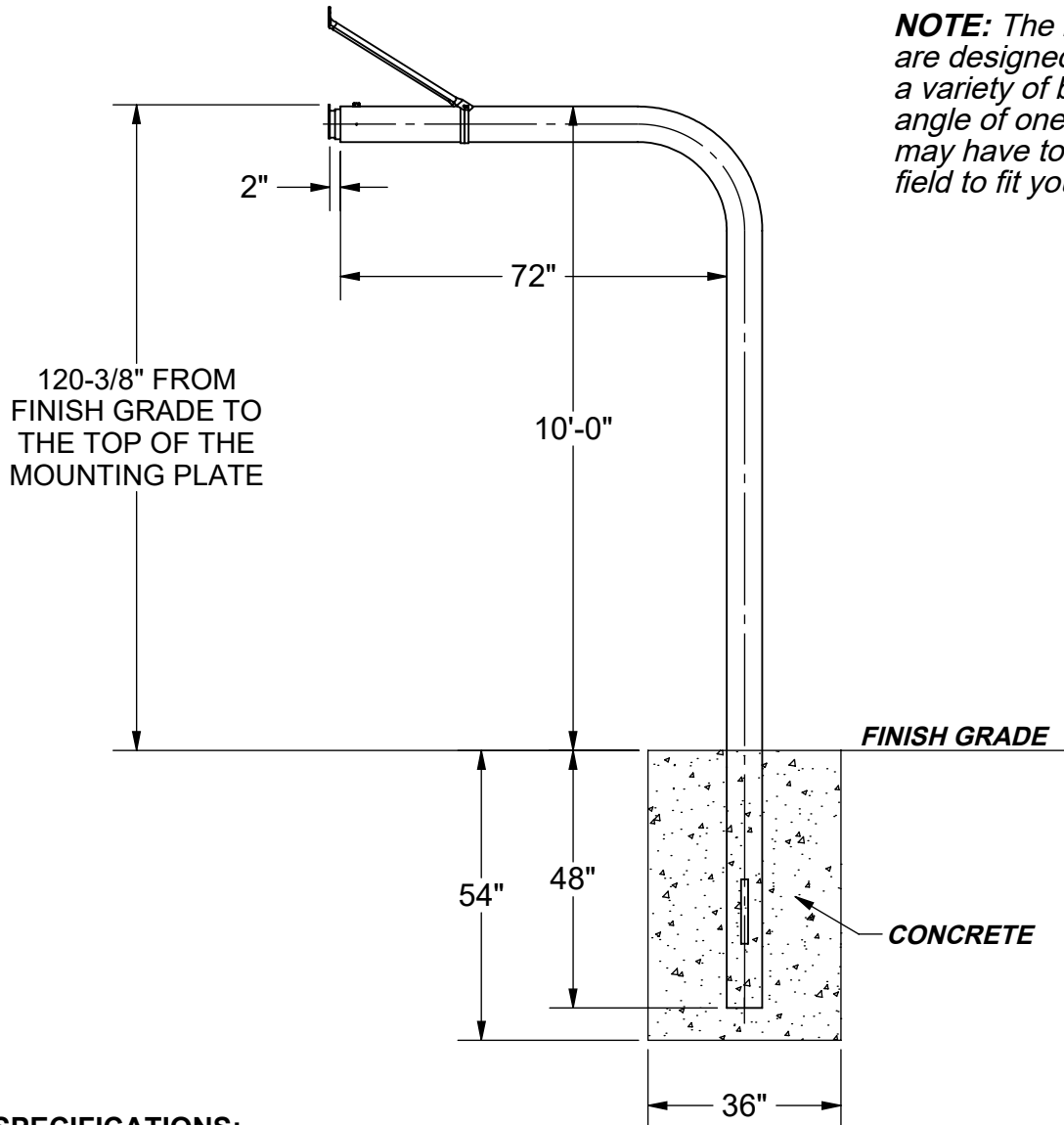
# SINGLE BASKETBALL POST

**MODEL #1560** 6-5/8" O.D. WITH 6' OFFSET (376 LBS)

*Verify the vertical position of the mounting plate using a level.*



**NOTE:** The backboard braces are designed to accommodate a variety of backboards. The angle of one end of the brace may have to be adjusted in the field to fit your backboard.



OPTIONAL ANTI-SPIN

## **SPECIFICATIONS:**

**Material:** Support post is a single length of 6-5/8" O.D. galvanized steel formed to provide a graceful 6 ft. offset. Backboard mount is a 6-1/4" x 6-1/2" steel plate welded to the sleeve adapter then mounted to the support post with a set screw and drive pins.

A pair of diagonal braces, 1" O.D. galvanized steel, is mounted between the backboard and the post. Braces bolt to the backboard and are secured to the post with a pair of brace bands formed to fit the post diameter.

All welds are ground smooth and either treated with cold-galvanizing compound or prepared for powder coating, depending on the finish selected. All the hardware is zinc-plated for long rust-free service.



Date: 2/23/16  
 Rev: 8/2/23  
 Drawn: MT  
 Sheet: 1 of 2

## **SPECIFICATION / INSTALLATION INSTRUCTIONS**

### **SINGLE GOOSENECK POST**

MODEL NO.

**1560-SPEC**

# PERMANENT FOOTING DETAIL

**NOTE:** Footing sizes are based on average soil conditions. Loose and/or sandy soil is not average and footing sizes must be increased accordingly to meet soil conditions and local building codes and specifications. Post depth is approximate and should be adjusted to ensure that the top of the Gooseneck offset post is **10'** above finish grade.

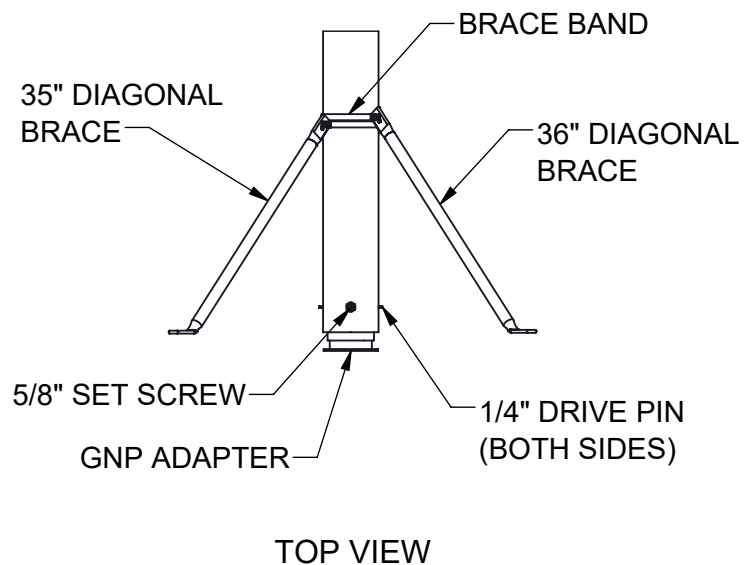
## **INSTALLATION INSTRUCTIONS:**

1. Dig a hole in desired location per footing chart dimensions. Set the bottom of the post in the center of the hole and shim from below or fill such that the top of the Gooseneck Post on the offset is **10'** above finish grade. Plumb post true vertical and brace. **NOTE:** The top of the rim will be at 10' when installed.

**NOTE:** Verify that the backboard mounting plate is perpendicular to the surface by using a vertical level before pouring the concrete.

2. Pour the concrete and allow it to set for 3 days before the removal of the bracing and completion of the installation. Cover the footings with turf or court materials.
3. Attach the diagonal braces with the brace bands and carriage bolts provided. Slide both of the brace bands onto the post and attach with the carriage bolts and lock nuts.
4. Refer to the backboard installation instructions to complete backboard & GNP Adapter installation.
5. Slide the brace bands and braces toward the back of the backboard until the opposite end of the diagonal brace aligns with attachment angles or nuts. **NOTE:** Attach the diagonal braces either to the welded nuts or attachment angles, depending on the backboard.
6. Tighten all the bolts.
7. Once everything is tightened, drill 1/4" Drive Pin holes in the GNP Adapter through the Gooseneck holes on the left and right side of the offset end with an undersized 7/32" drill bit.
8. Install the drive pins.

Packing Slip	Qty
6-5/8" O.D. Gooseneck Post 6' Offset	1
6" GNP Adapter	1
35" Diag. Brace	1
36" Diag. Brace	1
6-5/8" O.D. Brace Band	2
Hardware Kit	Qty
5/16"-18 x 1-1/4" Carriage Bolt	2
5/16"-18 Nylock Nut	2
5/8"-11 x 1" Socket Head Set Screw	1
1/4" SS Drive Pin	2



Date: 2/23/16  
 Rev: 8/2/23  
 Drawn: MT  
 Sheet: 2 of 2

### **SPECIFICATION / INSTALLATION INSTRUCTIONS**

### **SINGLE GOOSENECK POST**

MODEL NO.

# 1560-SPEC