

ADJUSTABLE BASKETBALL SYSTEM

MODEL #1590 - 6" SQUARE ADJUSTABLE BASKETBALL SYSTEM



GENERAL:

An extra heavy-duty, adjustable basketball system complete with acrylic backboard and breakaway rim.

Suitable for residential and institutional use in heavy play environments. The height adjustment actuator mechanism allows board to adjust from 7-1/2' to regulation 10' with ease for all ages. The height adjustment handle can be locked in place with a long shackle padlock (lock not included).

SPECIFICATIONS:


POST: 6" square powder coated, heavy-gauge steel post providing superior strength and durability.

BACKBOARD: 42" X 72" regulation-size backboard is comprised of 3/8" thick clear acrylic welded to a heavy steel uniframe for extra support and safer play.

RIM: Heavy-duty breakaway goal with nylon net is institutional quality for any level of competitive play.

INSTALLATION: Included is four Heavy duty J-Bolt anchoring system that allows for no-hassle installation and portability of unit.

PAD: Black wrap-around pole pad and backboard pad included.

 <p>Patterson-Williams ATHLETIC MFG. CO. QUALITY ATHLETIC AND PARK EQUIPMENT SINCE 1919</p>	Date: 01-19-12	SPECIFICATION/INSTALLATION INSTRUCTIONS
	Rev:	
	Drawn: AMC	MODEL NO.
	Sheet: 1 of 3	MODEL NO. 1590

ADJUSTABLE OUTDOOR BASKETBALL SYSTEM ASSEMBLY INSTRUCTIONS AND OWNER'S MANUAL



⚠ WARNING ⚠

FAILURE TO COMPLY WITH ANY OF THE WARNINGS IN THESE INSTRUCTIONS MAY RESULT IN SERIOUS PERSONAL INJURY OR DEATH.

FAILURE TO COMPLY MAY ALSO RESULT IN PROPERTY DAMAGE. PLEASE HEED ALL WARNINGS AND CAUTIONS TO ENSURE YOUR SAFETY.

DO NOT ATTEMPT TO ASSEMBLE THIS SYSTEM WITHOUT CAREFULLY READING AND FOLLOWING ALL INSTRUCTIONS. BEGIN BY IDENTIFYING AND TAKING INVENTORY OF ALL PARTS USING THE PARTS LIST PROVIDED.

REQUIRED TOOLS AND MATERIALS



- 3 PEOPLE



- CARPENTER'S LEVEL



- 15' TAPE MEASURE



- SHOVEL



- 8 FT. STEPLADDERS (2)



- CONCRETE



- WRENCHES
(SIZES 3/8", 3/4", 15/16" AND 17MM)



- ADJUSTABLE WRENCH (2)



- HAMMER

KEEP THIS INSTRUCTION MANUAL IN CASE YOU HAVE TO CONTACT THE MANUFACTURER FOR REPLACEMENT PARTS.



Date: 01-19-12

Rev:

Drawn: AMC

Sheet: 2 of 3

SPECIFICATION/INSTALLATION INSTRUCTIONS

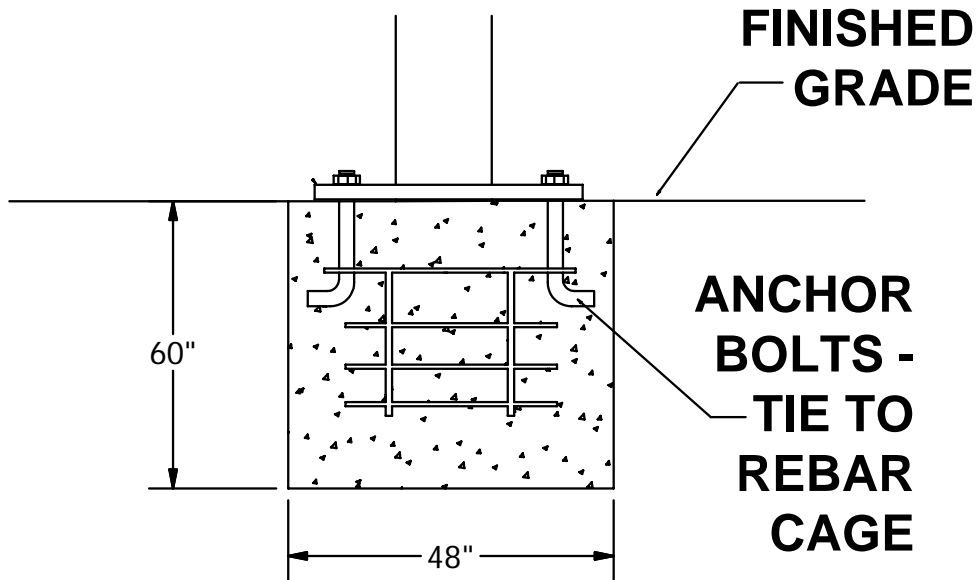
ADJUSTABLE BASKETBALL SYSTEM

MODEL NO.


MODEL NO. 1590

TYPICAL FOOTING DETAIL

SURFACE MOUNT



Note: Footing sizes are based on average soil conditions. Loose and/or sandy soil is not average and footing sizes must be increased accordingly to meet local soil conditions.

 <p>Patterson-Williams ATHLETIC MFG. CO. QUALITY ATHLETIC AND PARK EQUIPMENT SINCE 1919</p>	Date: 01-19-12	SPECIFICATION/INSTALLATION INSTRUCTIONS
	Rev:	
	Drawn: AMC	MODEL NO.
	Sheet: 3 of 3	MODEL NO. 1590