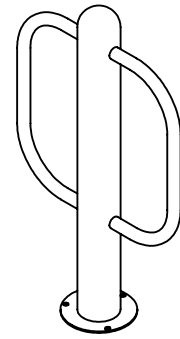
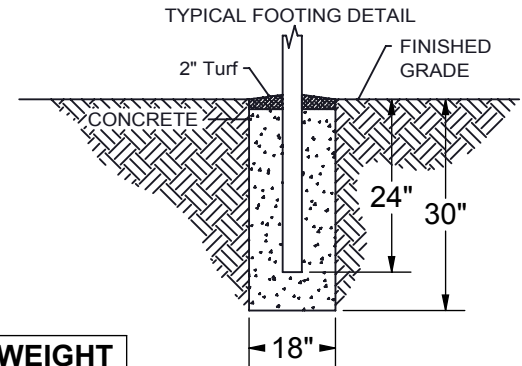
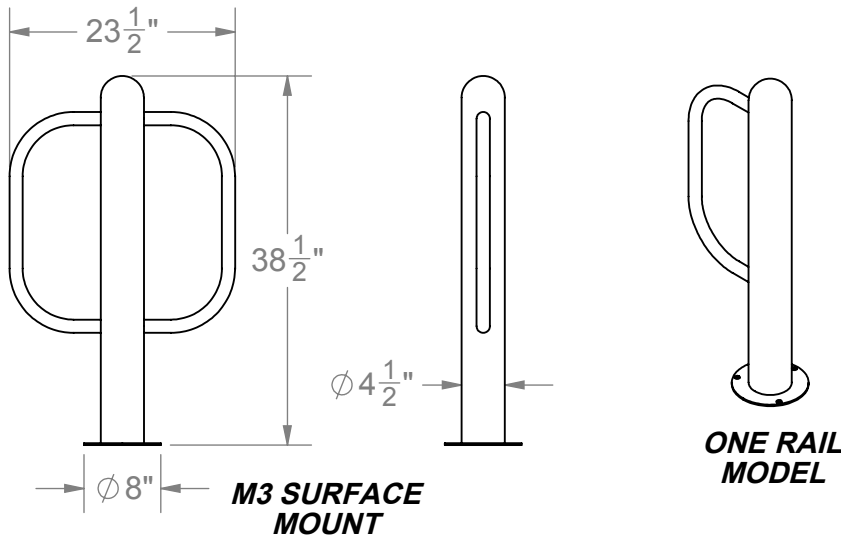


# SITE FURNISHINGS

- MODEL 1600-41** 4-1/2" O.D. BOLLARD WITH 1 RAIL (58 LBS)  
**MODEL 1600-42** 4-1/2" O.D. BOLLARD WITH 2 RAILS (61 LBS)  
**MODEL 1600-51** 5-9/16" O.D. BOLLARD WITH 1 RAIL (77 LBS)  
**MODEL 1600-52** 5-9/16" O.D. BOLLARD WITH 2 RAILS (80 LBS)



FOR POWDER COAT COLORS SEE  
BACK-INSIDE COVER OF  
PATTERSON-WILLIAMS CATALOG



MODEL	POST O.D.	M1 POST	M3 POST	# OF RAILS	WEIGHT
1600-41	4-1/2"	60"	36"	1	58 LBS
1600-42	4-1/2"	60"	36"	2	61 LBS
1600-51	5-9/16"	60"	36"	1	77 LBS
1600-52	5-9/16"	60"	36"	2	80 LBS

## **MATERIAL:**

**POST:** 4-1/2" O.D. or 5-9/16" O.D. galvanized steel tube.

**RAILS:** 1-3/8" O.D. galvanized steel.

**CAPS:** Cast aluminum and secured with rivets at the factory.

## **INSTALLATION INSTRUCTIONS:**

1. Dig footing hole in proper location per footing detail above.
2. Center bollard in hole and shim from below so that the top of the cap is 36" above finish grade. Plumb post true vertical, readjust height as necessary and brace. Pour concrete. Let concrete set for 48 hours.
3. For surface mount installation, mark anchor holes by using the holes in the surface mount plate. Anchor in desired position. (Anchors not included)

**NOTE:** Footing sizes are based on average soil conditions. Loose and/or sandy soil is not average and footing sizes must be increased accordingly to meet local soil conditions.

(Note: Bollard must be anchored. Anchoring hardware not included.)



SITE FURNISHINGS

SCALE: N.T.S.	<b>SPECIFICATION / INSTALLATION INSTRUCTIONS</b>
DATE: 11/12/2007	BOLLARD POST BIKE RACK
DRAWN: MT	
REV: 9/1/16	
SHEET: 1 of 1	<b>1600</b>