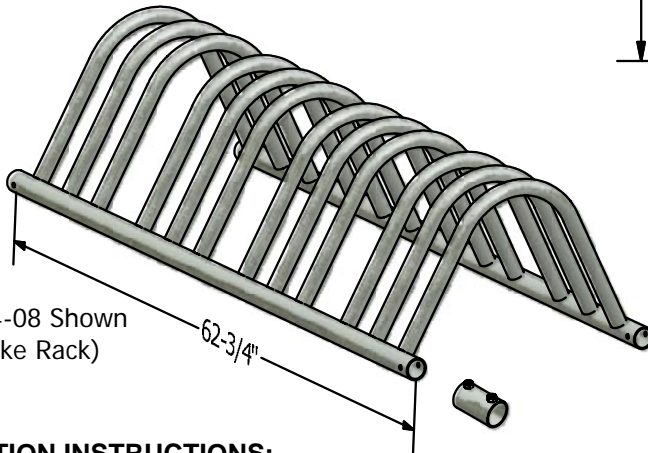
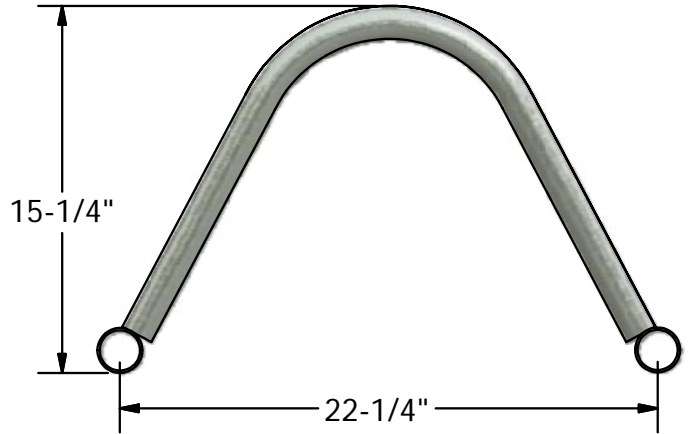


ARCH BIKE RACK

MODEL #1604-04 4 SPACE BIKE RACK (39 LBS)
 MODEL #1604-08 8 SPACE BIKE RACK (87 LBS)
 MODEL #1604-16 16 SPACE BIKE RACK (174 LBS)

FRAMES AVAILABLE STANDARD AS GALVANIZED OR POWDER COATED



Model 1604-08 Shown
(8 Space Bike Rack)

Connecting sleeves for
16 Space Rack

INSTALLATION INSTRUCTIONS:

The Arch Bike Rack requires no assembly. (4) 7/16" diameter holes are pre-drilled near each end to accommodate anchor bolts (not supplied) if permanent anchoring is desired.

Model 1604-16, is comprised of two sections of model 1604-08 joined together. Lay the two sections end to end and join them together by use of the two connecting sleeves (supplied). Tighten set screws securely, tighten one full turn past hand tight with a hammer and hex wrench. (4) 7/16" diameter holes are provided near each end to accommodate anchor bolts (not supplied) if permanent anchoring is desired.

SPECIFICATIONS:

A heavy-duty, all purpose double sided steel bike rack.

Material: Manufactured from galvanized steel.

Rails: 1-7/8" O.D. Galvanized Steel

Arches: 1-3/8" O.D. Galvanized Steel, welded to rails to form a single unit bike frame.

Finish: All welds are ground smooth and either treated with cold galvanizing compound or prepared for powder coat depending on finish selected.

Warranty Period: 3 years

Dimensions:

Model No.	Description	Height	Length	Weight
1604-04	4-space	13"	2'-6"	39 lbs.
1604-08	8-space	13"	5'-3"	87 lbs.
1604-16	16-space	13"	10'-9"	174 lbs.

-08 -16

Material List	Qty	Qty
8 Space Arch Rack	1	2
Connector Sleeve	-	2
3/8" x 5/8" Set Screws	-	4
3/16" Hex Key Wrench	-	1



Date:	2-4-08
Rev:	A020408
Drawn:	AMC
Sheet:	1 of 1

SPECIFICATION/INSTALLATION INSTRUCTIONS

ARCH BIKE RACK

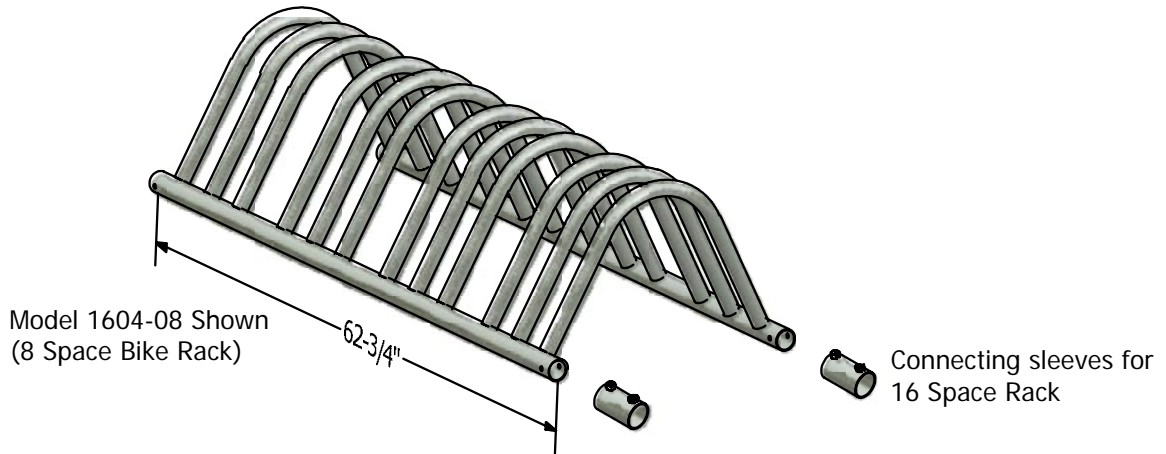
MODEL NO.

1604-04-08-16

PICK TICKET

Fabrication to provide bike rack

Shipping to provide: if -04 nothing, if -08 nothing if -16 2 sleeves, and listed hardware



	-08	-16
Material List	Qty	Qty
8 Space Arch Rack	1	2
Connector Sleeve	-	2
3/8" x 5/8" Set Screws	-	4
3/16" Hex Key Wrench	-	1