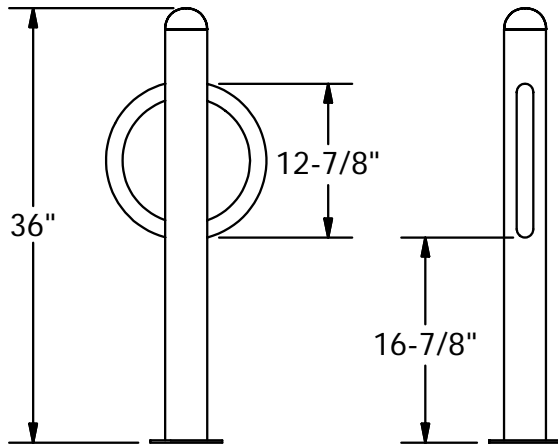


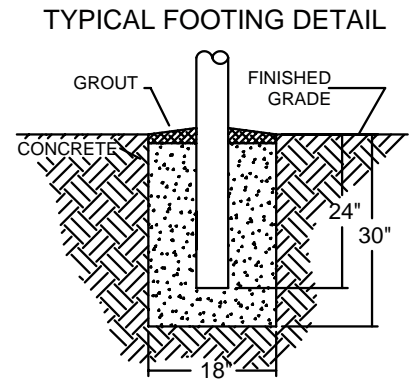
SITE FURNISHINGS

MODEL #1605-32 = 3-1/2" O.D. POST WITH TWO RAILS (40 LBS)
 MODEL #1605-42 = 4-1/2" O.D. POST WITH TWO RAILS (56 LBS)
 MODEL #1605-52 = 5-9/16" O.D. POST WITH TWO RAILS (76 LBS)



M3 SURFACE MOUNT

FOR POWDER COAT COLORS SEE
 BACK-INSIDE COVER OF
 PATTERSON-WILLIAMS CATALOG



MATERIAL:

POST: 3-1/2" O.D., 4-1/2" O.D., or 5-9/16" O.D. galvanized steel tube.

RAILS: 1-3/8" O.D. galvanized steel.

CAPS: Cast aluminum and secured with rivets at the factory.

INSTALLATION INSTRUCTIONS:

1. Dig footing hole in proper location per footing. (See Above)
2. Center bollard in hole and shim from below so that the top of the cap is 36" above finish grade. Plumb post true vertical, readjust height as necessary and brace. Pour concrete. Let concrete set for 48 hours.
3. For surface mount installation mark holes by using the holes in the surface mount. Anchor in desired location. (Anchors Not Included)

Note: Footing sizes are based on average soil conditions. Loose and/or sandy soil is not average and footing sizes must be increased accordingly to meet local soil conditions.

(Note: Bench must be anchored. Anchoring hardware not included.)



SITE FURNISHINGS

SCALE: N.T.S.	SPECIFICATION/INSTALLATION INSTRUCTIONS
DATE: SS82217	BOLLARD POST BIKE RACK
DRAWN BY: AMC	
REV.:	
SHEET: 1 of 1	MODEL 1605

Pick Ticket

Internal use only return to office with packet

Shipping to pull Nothing Bollard to come from Fabrication or Powder Coat
if shortages exist notify the office immediately.

MODEL #1605-32 = 3-1/2" O.D. POST WITH TWO RAILS (40 LBS)
MODEL #1605-42 = 4-1/2" O.D. POST WITH TWO RAILS (56 LBS)
MODEL #1605-52 = 5-9/16" O.D. POST WITH TWO RAILS (76 LBS)

