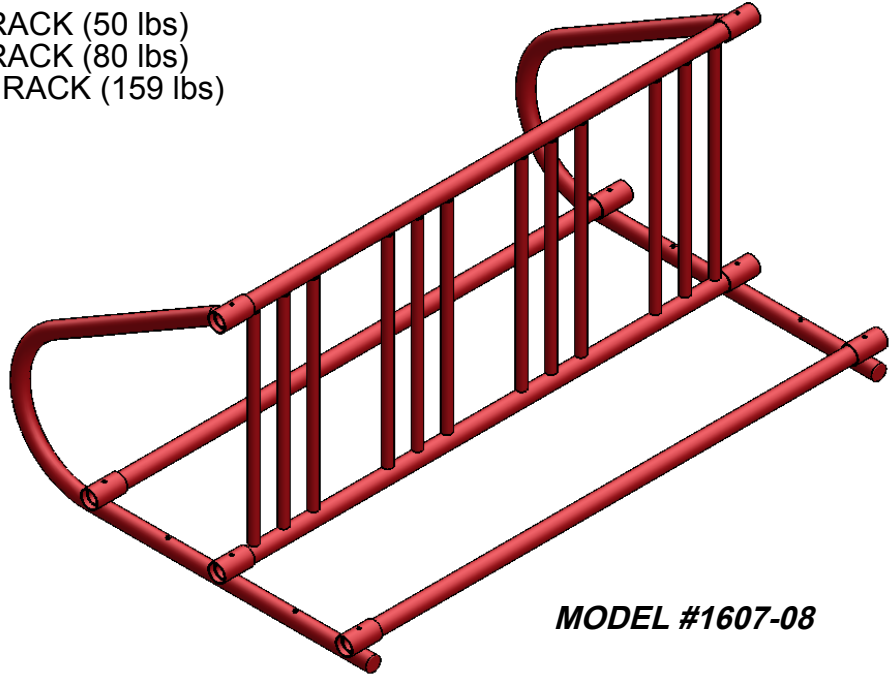


HEAVY DUTY STANDARD BIKE RACK

MODEL #1607-06 6-SPACE RACK (50 lbs)
MODEL #1607-08 8-SPACE RACK (80 lbs)
MODEL #1607-16 16-SPACE RACK (159 lbs)



MODEL #1607-08

SPECIFICATIONS:

MATERIALS: All pipe is galvanized steel.

END FRAMES: A bent 1-5/8" O.D. galvanized steel end frame with welded sleeves made from 2" O.D. Steel.

CENTER RACK: A one-piece welded construction made from 1-5/8" O.D. steel horizontal rails and 1.029" O.D. vertical steel tubing rails.

TIRE RACKS: 1" O.D. galvanized steel.

FINISH: All welds are ground smooth. Hardware is zinc plated for long rust-free service.

*Capacity is based on the bikes parked 16" on center of each side. This is minimum spacing to accommodate full-sized bicycles.

WARRANTY: 10 Years

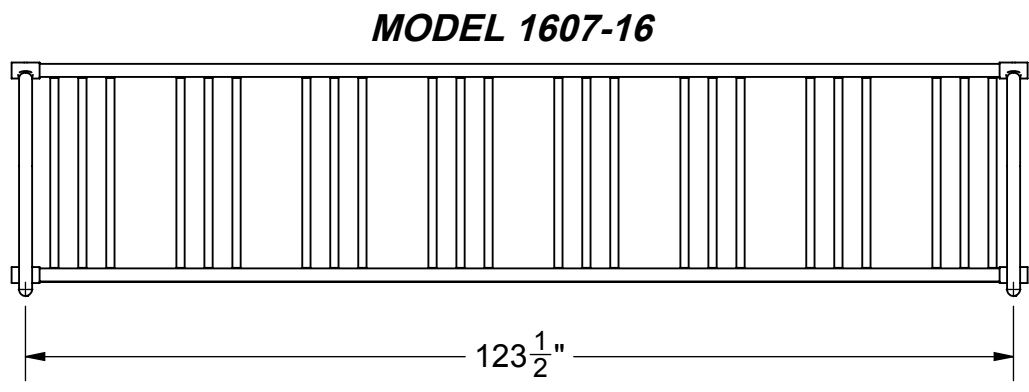
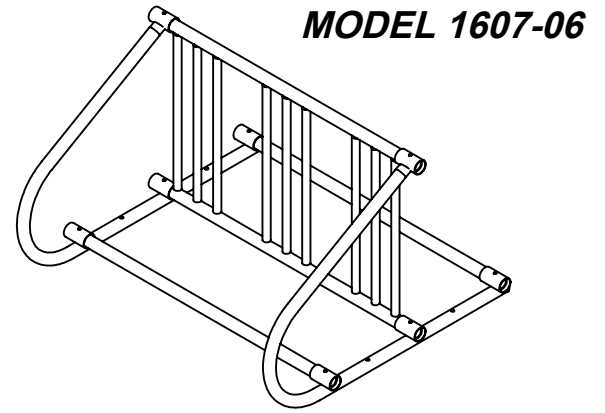
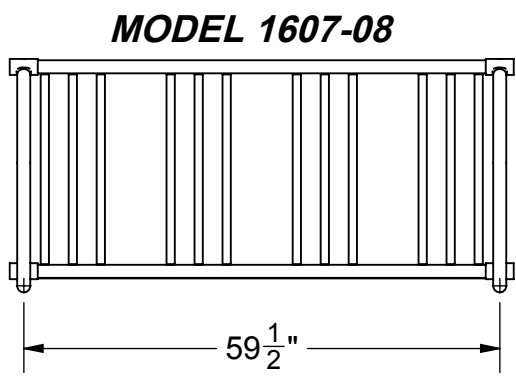
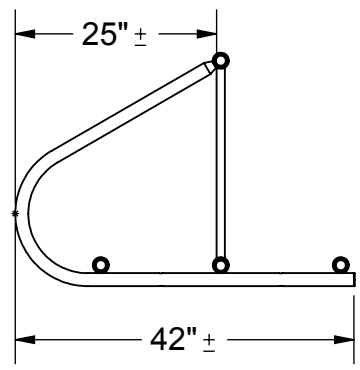
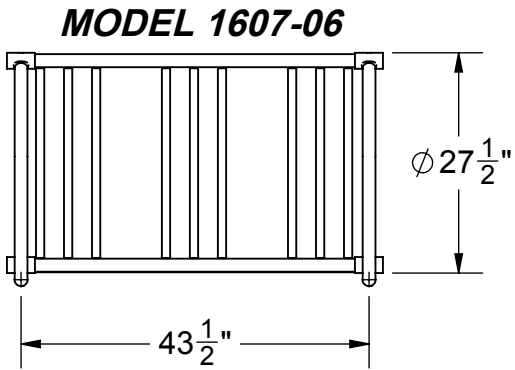
STANDARD BIKE RACK	
MATERIAL LIST	QTY.
3/8" X 5/8" Set Screw	8
3/16" Hex Wrench	1

FRAMES AVAILABLE STANDARD AS GALVANIZED
OR ANY OF OUR OFFERED POWDER-COAT COLORS.



SITE FURNISHINGS

SCALE: N.T.S.	SPECIFICATION / INSTALLATION INSTRUCTIONS
DATE: 9/14/15	
DRAWN: MT	HEAVY-DUTY STANDARD BIKE RACK
REV: 9/14/15	1607-06, -08, -16
SHEET: 1 of 2	



SPECIFICATIONS:

All bike racks are equipped with two end frames, tire rails and a center rack. Sleeves are welded to the end frames for installation of the center rack and tire rails. Insert the ends of the center rack and tire rails into the sleeves on the end frames so they fit flush.

Tighten all set screws one full turn past hand tight with a hammer and hex key wrench provided.

If permanent anchoring is desired, racks are equipped with pre-drilled holes. Anchors not provided.

NOTE: Footing sizes are based on average soil conditions. Loose and/or sandy soil is not average and footing sizes must be increased accordingly to meet local soil conditions.



SITE FURNISHINGS

SCALE: N.T.S.
 DATE: 9/14/15
 DRAWN: MT
 REV: 9/14/15
 SHEET: 2 of 2

SPECIFICATION / INSTALLATION INSTRUCTIONS
 HEAVY-DUTY STANDARD
 BIKE RACK

1607-06, -08, -16