

MINI-RAINBOW BIKE RACK

MODEL 1607-01 (25 LBS)

Optional Powder Coating available in any of our powder coat colors.

SPECIFICATIONS:

1. Galvanized or stainless steel single bike rack for areas with limited space, or multi-use where space is limited.

Sold individually.

MATERIAL: Formed from 1-5/8" O.D. galvanized steel.

FINISH: Galvanized or powder coated.

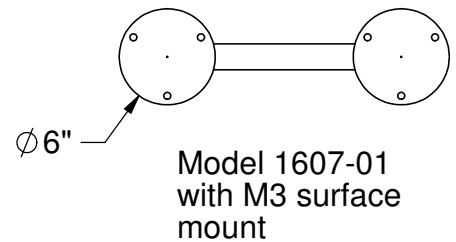
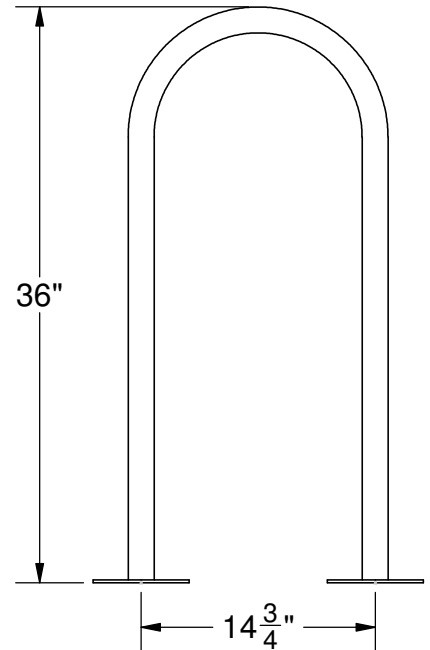
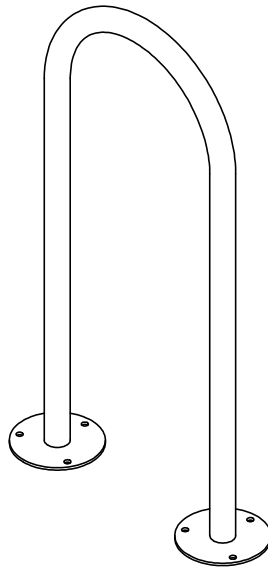
WARRANTY PERIOD: 10 years

SHIPPING WEIGHT: 25 lbs.

INSTALLATION INSTRUCTIONS:


Mini-bow bike racks require a concrete anchor at each leg for permanent installation.

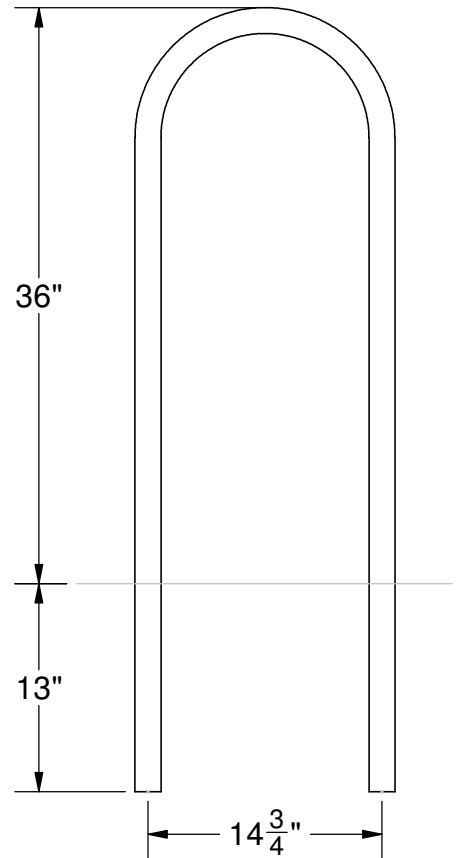
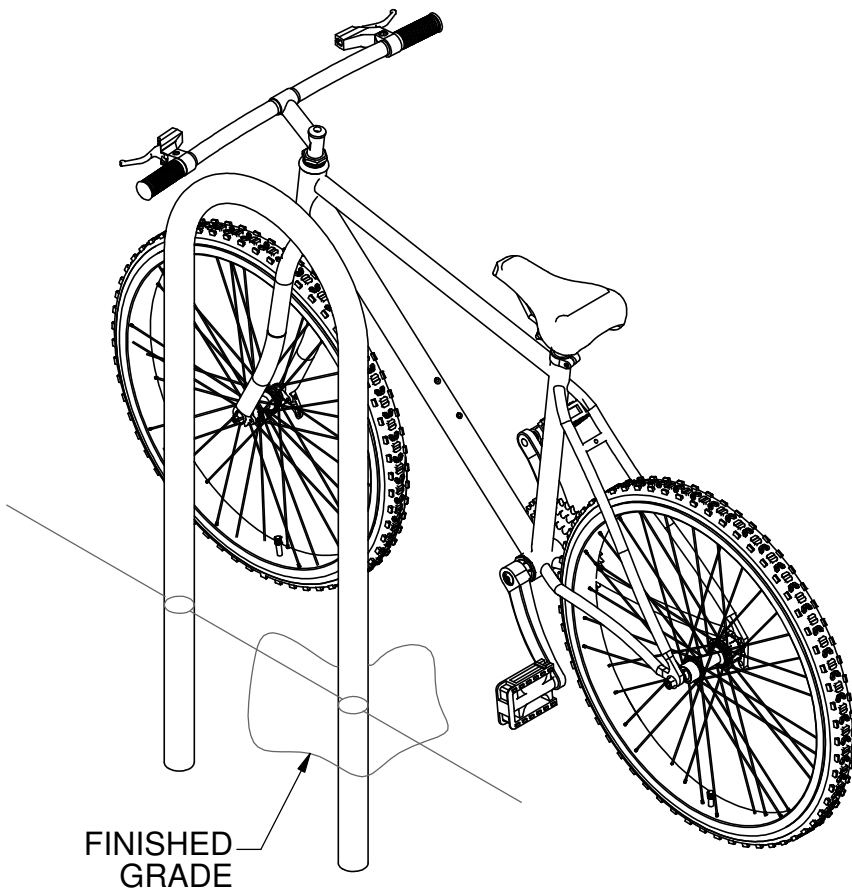
Dig footing hole (12" diameter x 18" deep). Set the bottom of the rack legs in center of the anchor holes and shim from below or fill such that the top of the bike rack is 36" above finish grade.



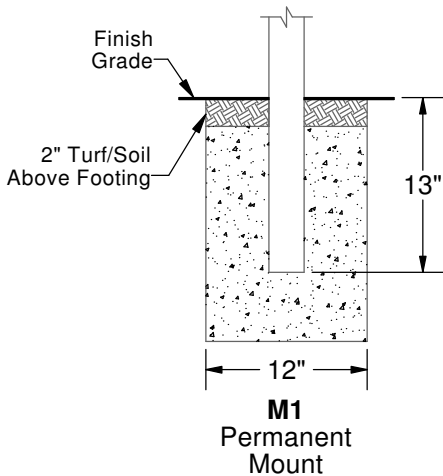
Crown the concrete slightly at the top, this allows water to drain away from the posts. Allow concrete to set for 3 days before removal of bracing.

NOTE: Footing sizes are based on average soil conditions. Loose and/or sandy soil is not average and the footing sizes must be increased accordingly to meet local soil conditions.

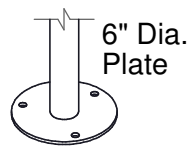
	Date: 7/6/2007	SPECIFICATION / INSTALLATION INSTRUCTIONS
	Rev: 05202014	
	Drawn: AMC	SINGLE LOOP MINI-BOW BIKE RACK
	Sheet: 1 of 2	MODEL NO. 1607-01



Model 1607-01
with M1 permanent
mount

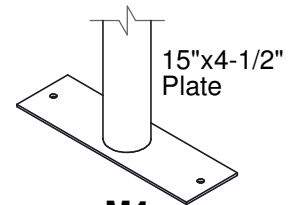


MOUNTING OPTIONS



M3
Round Surface
Mount

Hardware
not included



M4
Rectangle
Surface Mount



Date: 7/6/2007
Rev: 05202014
Drawn: AMC
Sheet: 2 of 2

SPECIFICATION / INSTALLATION INSTRUCTIONS

SINGLE LOOP MINI-BOW BIKE RACK

MODEL NO.

1607-01