

SITE FURNISHINGS

MODEL #1608-01 **SINGLE LOOP BIKE RACK (28 LBS)**

SPECIFICATIONS:

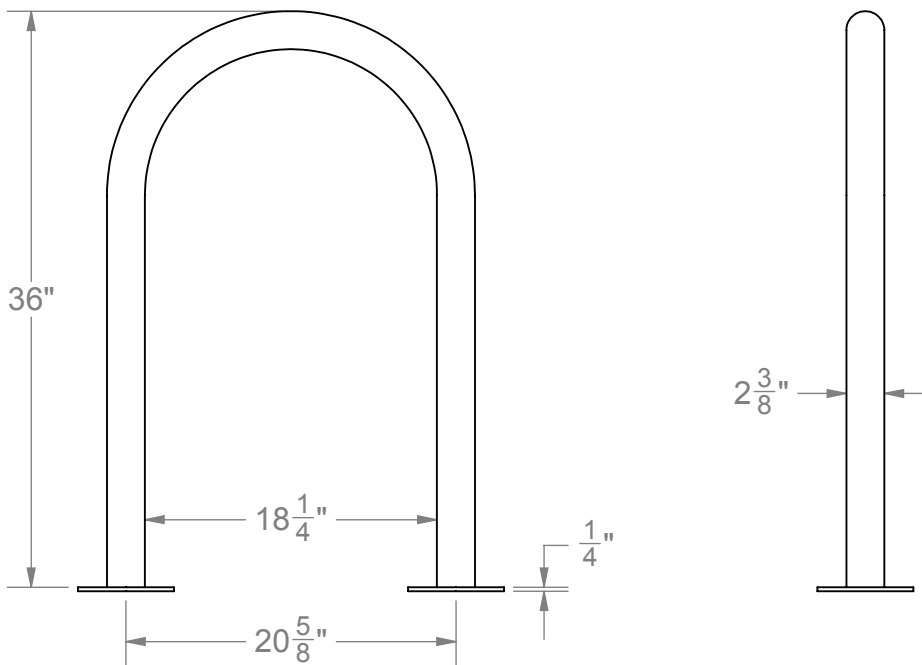
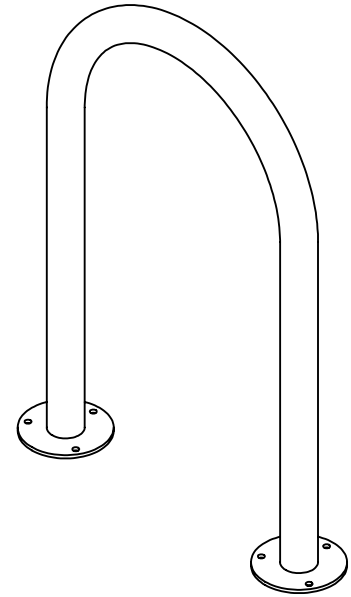
A heavy-duty, steel single bike rack for areas with limited space, or multi-use where space is limited.

Sold individually.

MATERIAL: *Formed from 2-3/8" O.D. galvanized steel*

FINISH: *Galvanized or powder coated*

WARRANTY PERIOD: *10 years*



INSTALLATION INSTRUCTIONS:

Rainbow bike racks require a concrete anchor at each leg for permanent installation.

NOTE: *Bike rack must be anchored. Anchoring hardware not included.*



SITE FURNISHINGS

SCALE: N.T.S.	SPECIFICATION / INSTALLATION INSTRUCTIONS
DATE: 4/23/2013	SINGLE LOOP RAINBOW BIKE RACK
DRAWN: MT	
REV: SS83117	
SHEET: 1 of 2	1608-01

SITE FURNISHINGS

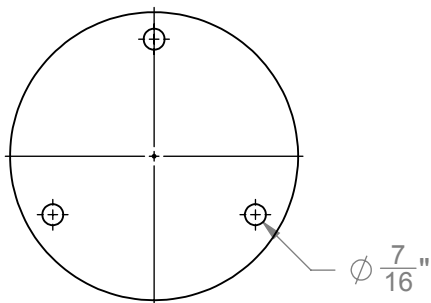
INSTALLATION INSTRUCTIONS:

Rainbow bike racks require a concrete anchor at each leg for permanent installation.

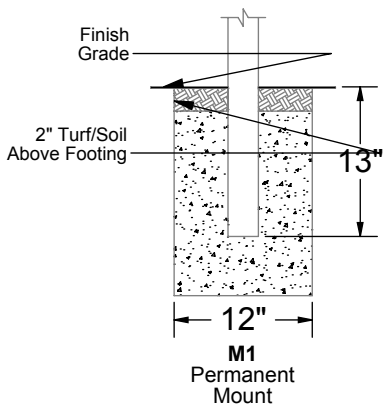
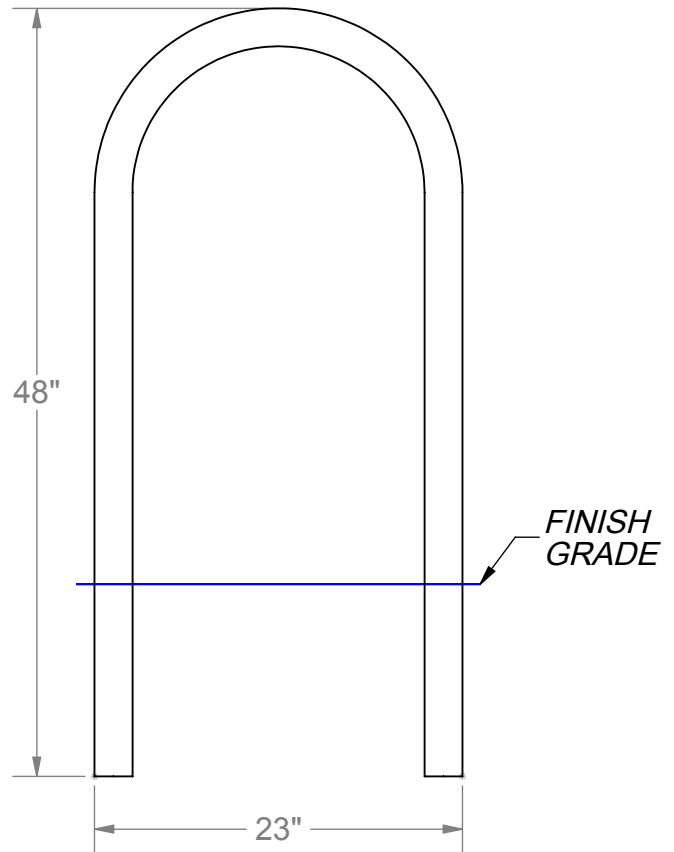
Dig footing hole (12" diameter x 18" deep). Set the bottom of the rack legs in the center of the anchor holes and shim from below or fill such that the top of the bike rack is 36" above finish grade.

Crown the concrete slightly at the top, this allows water to drain away from the posts. Allow concrete to set for 3 days before removal of bracing.

NOTE: Footing sizes are based on average soil conditions. Loose and/or sandy soil is not average and the footing sizes must be increased accordingly to meet local soil conditions.

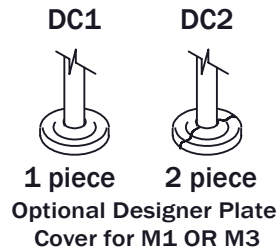
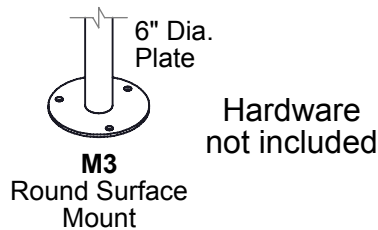


M3 MOUNT



M1 Permanent Mount

MOUNTING OPTIONS



SITE FURNISHINGS

SCALE: N.T.S.
DATE: 4/23/2013
DRAWN: MT
REV: SS83117
SHEET: 2 of 2

SPECIFICATION / INSTALLATION INSTRUCTIONS

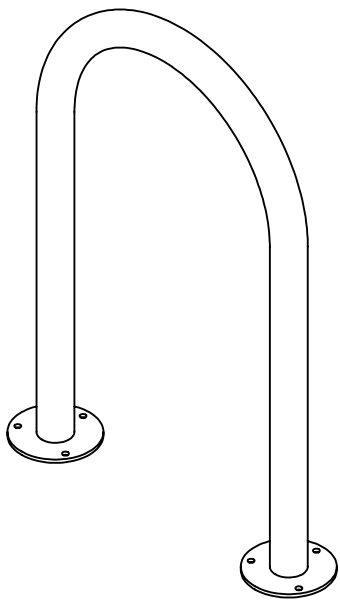
SINGLE LOOP RAINBOW BIKE RACK

1608-01

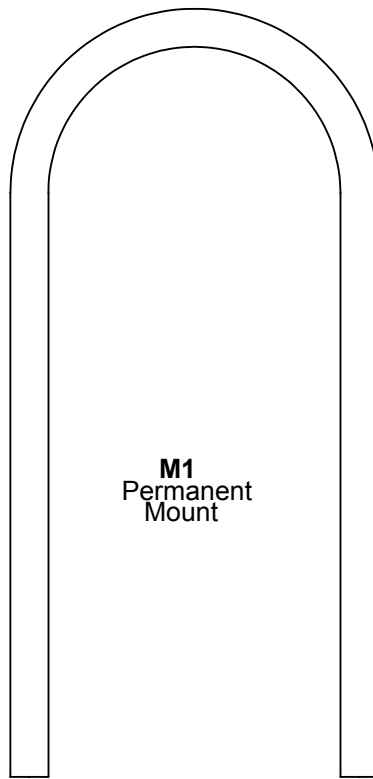
Pick Ticket

Internal use only return to office with packet

Shipping to pull Nothing Bike Rack to come from Fabrication
if shortages exist notify the office immediately.



M3
Round Surface
Mount



M1
Permanent
Mount

Note: if DC2's are ordered



4 - 1/4"-20 x 3/4" button head bolts are needed