

# DOUBLE RAINBOW BIKE RACK

LOOPS COME STANDARD  
AS GALVANIZED

**MODEL #1608-02** TWO LOOP, FOUR SPACES (65 LBS)  
**MODEL #1608-04** FOUR LOOP, EIGHT SPACES (130 LBS)

OPTIONAL POWDER COATING  
AVAILABLE IN ANY OF OUR  
OFFERED COLORS

## **SPECIFICATIONS:**

### **MATERIAL:**

Rainbow Loop: 2-3/8" O.D. galvanized steel bent to form inverted U's.  
Rack Channel: Galvanized rack channel made from 1" x 2" x 3/16"  
channel with welded 2-1/8" O.D. stubs for tight fit.

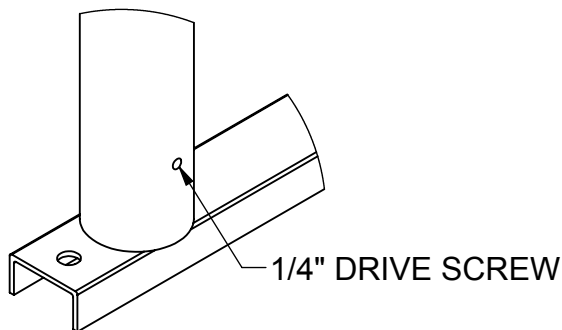
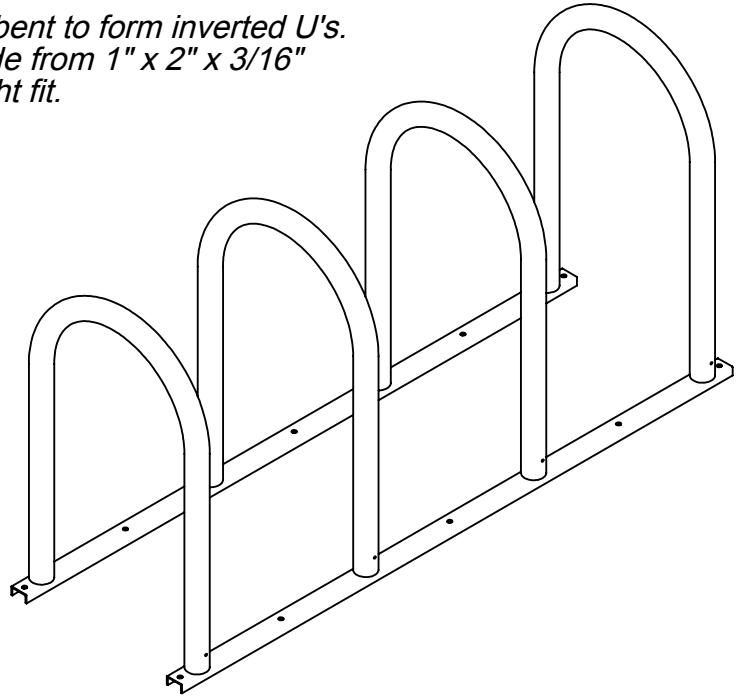
**FINISH:** Galvanized or Powder-Coated

**WARRANTY PERIOD:** 10 years

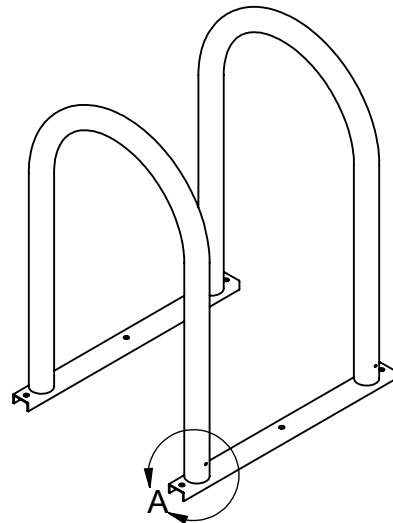
### **INSTALLATION INSTRUCTIONS:**


1. Lay the welded rack channels on the ground with stubs facing up.
2. Sleeve the rainbow rack over the stubs until fully seated.
3. When all loops are in place, square off both ends.
4. Use a pilot hole provided in rainbow loops to drill through the stubs on the channels. Use the 7/32" drill bit provided.
5. Hammer 1/4" x 1" drive screws into drilled holes until seated.

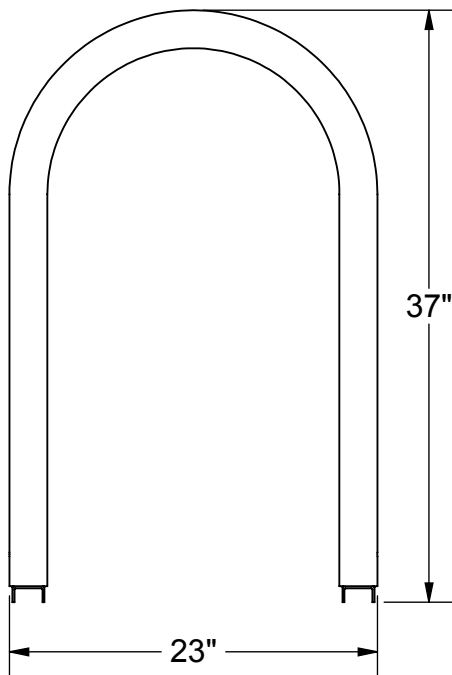
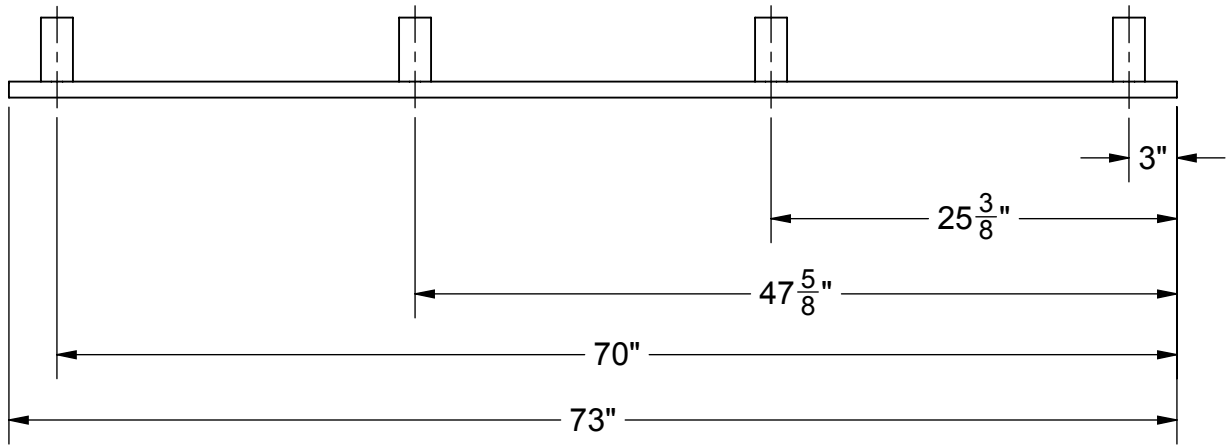
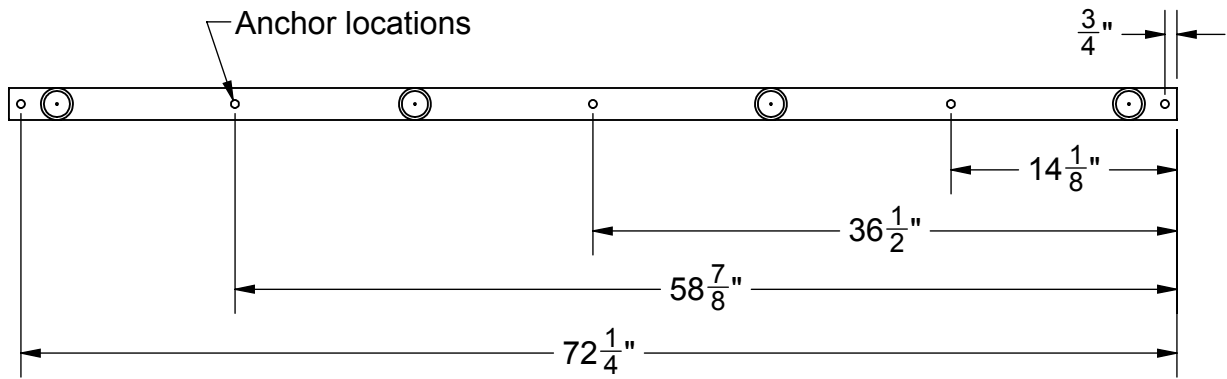
Use holes provided in channels for anchoring. Optional anchoring hardware is not provided.



**DETAIL A**



 <p>ATHLETIC MFG. CO.</p>	Date: 4/23/2013	<b>SPECIFICATION / INSTALLATION INSTRUCTIONS</b>
	Rev: 1/26/16	TWO & FOUR LOOP RAINBOW BIKE RACK
	Drawn: MT	MODEL NO.
	Sheet: 1 of 2	<b>1608-02 &amp; -04</b>



	1608-02	1608-04
<b>MATERIAL LIST</b>	<b>QTY</b>	<b>QTY</b>
Rainbow Loops	2	4
2 Stub Rack Channel	1	1
4 Stub Rack Channel	1	1
1/4" x 1" Drive Screws	4	8
7/32" Drill Bit	1	1



Date: 4/23/2013  
 Rev: 1/26/16  
 Drawn: MT  
 Sheet: 2 of 2

**SPECIFICATION / INSTALLATION INSTRUCTIONS**

*TWO & FOUR LOOP RAINBOW BIKE RACK*

MODEL NO.

**1608-02 & -04**