

SITE FURNISHINGS

(PATENT #D659598)

MODEL #1614-06 WELDED ONE-PIECE
DESIGN 6 SPACE RACK (98 lbs)

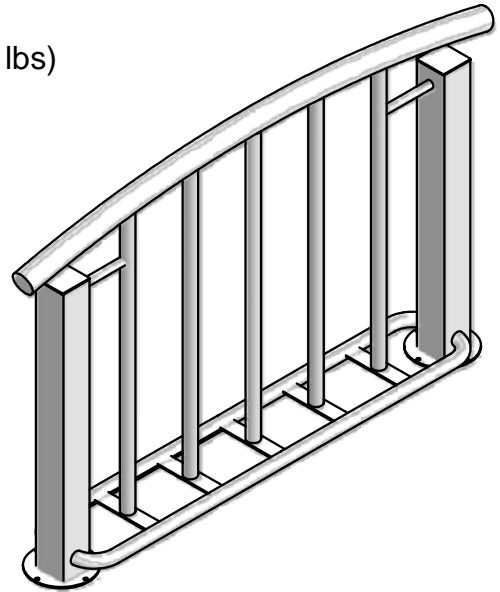
The Bow-Rack bike rack is a heavy-duty, one-piece contemporary bike rack. It can be permanently installed or surface-mounted.

Material: Manufactured from 4" O.D. square post, 2-7/8" top rail, and 1-5/8" vertical rails.

Finish: Powder Coated only.

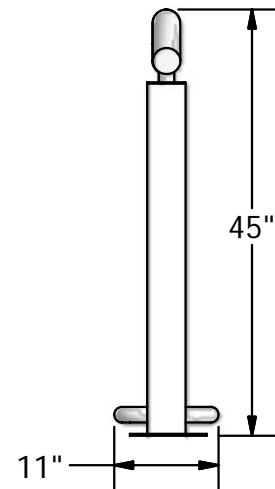
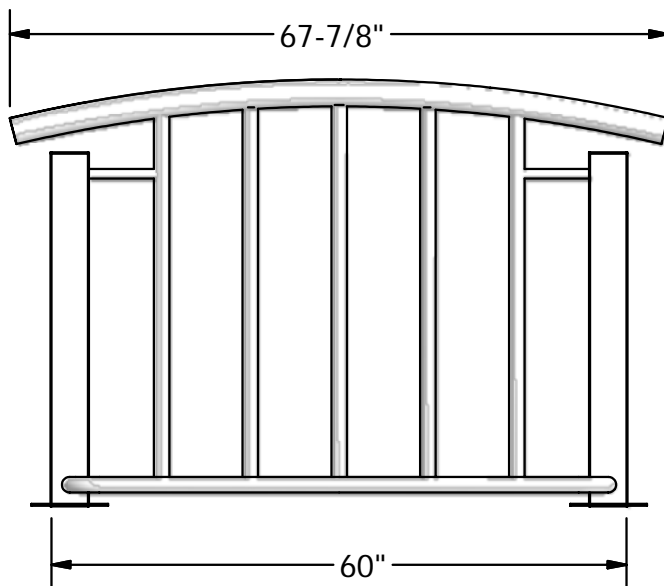
Warranty: 10 years

Bicycle rack comes completely assembled. Surface mounting is standard, and hardware to mount is not included.



(PATENT #D659598)

FOR POWDER COAT COLORS SEE
BACK-INSIDE COVER OF
PATTERSON-WILLIAMS CATALOG



(Note: Bench must be anchored. Anchoring hardware not included.)



SITE FURNISHINGS

SCALE: N.T.S.	SPECIFICATION/INSTALLATION INSTRUCTIONS BOW-RACK BIKE RACK (PATENT #D659598)
DATE: 04-20-11	
DRAWN BY: AMC	MODEL 1614-06
REV.: A060412	
SHEET: 1 of 2	

SITE FURNISHINGS

INSTALLATION INSTRUCTIONS:

The Bow-Rack Bike Rack require a concrete anchor for in-ground installation.

Comes standard with M-1 permanent mount or optional M-3 surface mount.

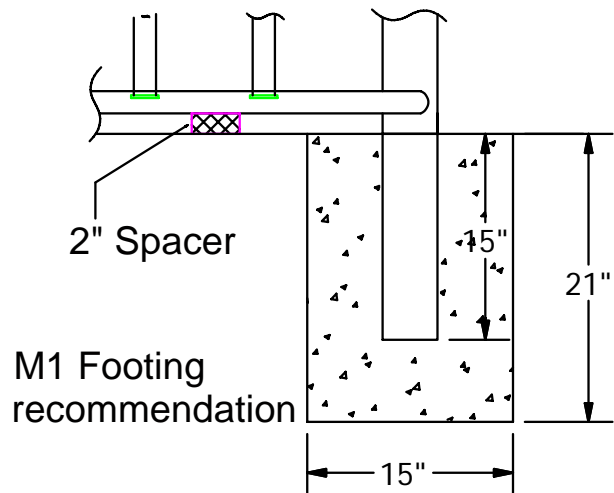
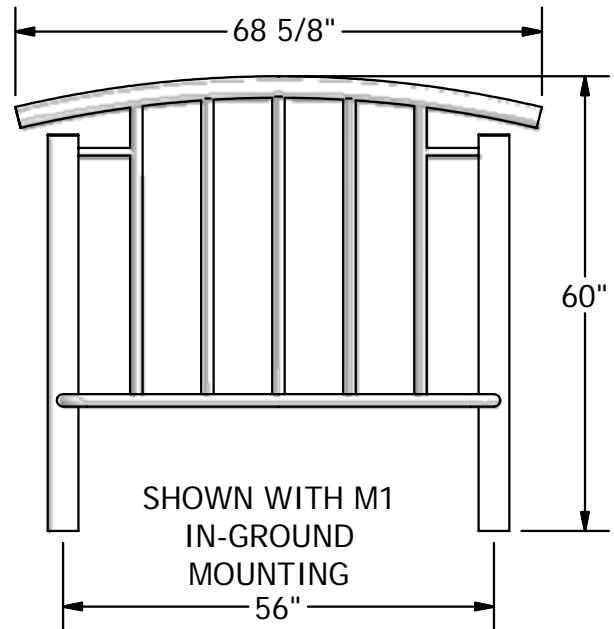
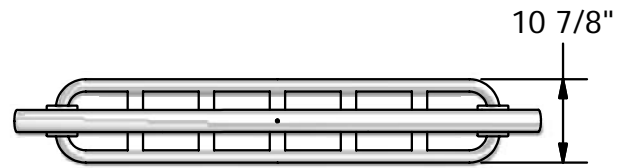
For in-ground installation:

1. Determine location of bike rack.
2. Dig footing hole per detail below.
3. Set legs of bike rack in center of holes and shim from below or fill such that the top of the bike rack is 45" above finish grade.
4. Plumb the bike rack to true vertical and brace.

Note: Use 2" X 4" block for shim under rails.

5. Pour concrete up to finish grade. Crown the concrete slightly at the top, this allows water to drain away from the bike rack.
6. Allow concrete to set for 3 days before removal of bracing.

Comes from factory fully assembled. Anchor hardware not included for surface mounting.



SCALE: N.T.S.	SPECIFICATION/INSTALLATION INSTRUCTIONS BOW-RACK BIKE RACK (PATENT #D659598)
DATE: 06-18-12	
DRAWN BY: AMC	MODEL 1614-06
REV.: A061812	
SHEET: 2 OF 2	