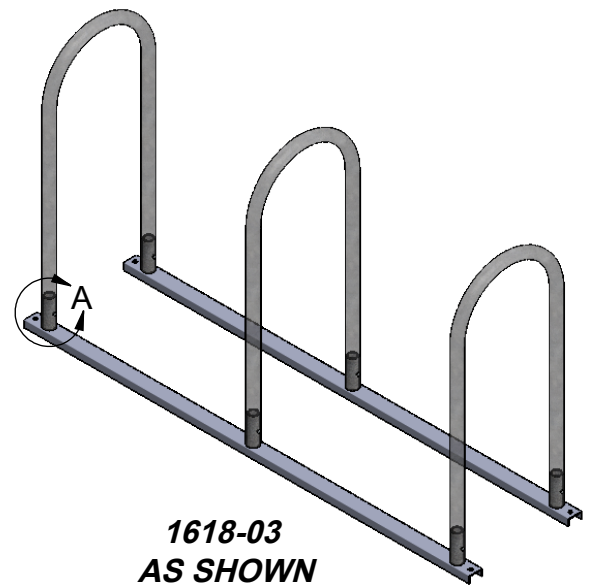
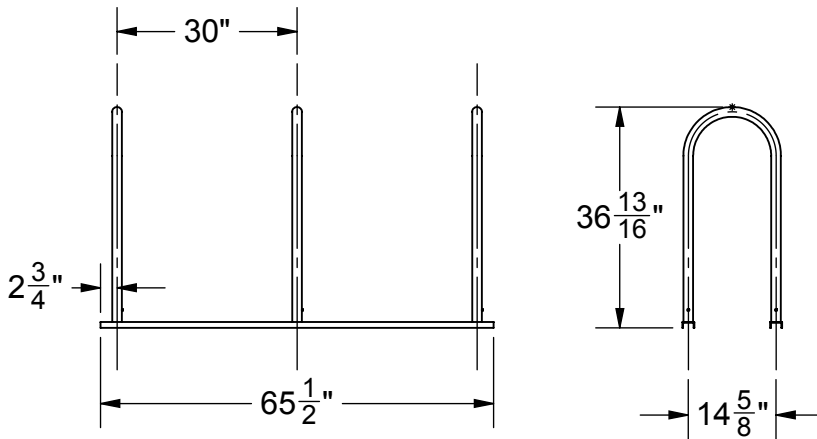


# MULTI MINI RAINBOW BIKE RACK

**MODEL #1618-03** 3-LOOP RACK (50 lbs)  
**MODEL #1618-04** 4-LOOP RACK (80 lbs)  
**MODEL #1618-05** 5-LOOP RACK (115 lbs)  
**MODEL #1618-06** 6-LOOP RACK (159 lbs)



## SPECIFICATIONS:

### MATERIAL:

*Rainbow Mini Loop: 1-5/8" O.D. galvanized steel bent to form inverted U's.  
 Rack Channel: Galvanized rack channel made from 1" x 2" x 3/16" channel with welded 1-3/8" O.D. stubs for tight fit.*

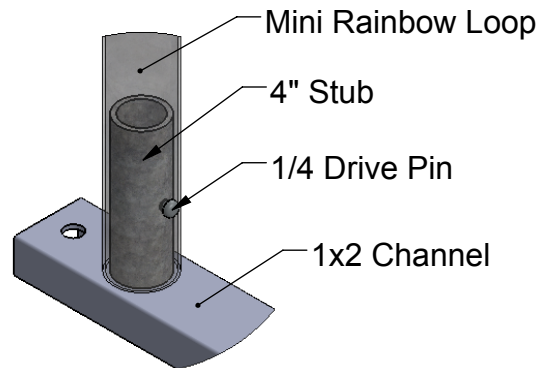
**FINISH:** Galvanized or Powder-Coated

**WARRANTY PERIOD:** 10 years

### INSTALLATION INSTRUCTIONS:

1. Lay the welded rack channels on the ground with stubs facing up.
2. Sleeve the rainbow rack over the stubs until fully seated.
3. When all loops are in place, square off both ends.
4. Use a pilot hole provided in rainbow loops to drill through the stubs on the channels. Use the 7/32" drill bit provided.
5. Hammer 1/4" x 1" drive screws into drilled holes until seated.

Use holes provided in channels for anchoring. Optional anchoring hardware is not provided.



**DETAIL A**

**LOOPS COME STANDARD  
AS GALVANIZED**

**OPTIONAL POWDER COATING  
AVAILABLE IN ANY OF OUR  
OFFERED COLORS**



SITE FURNISHINGS

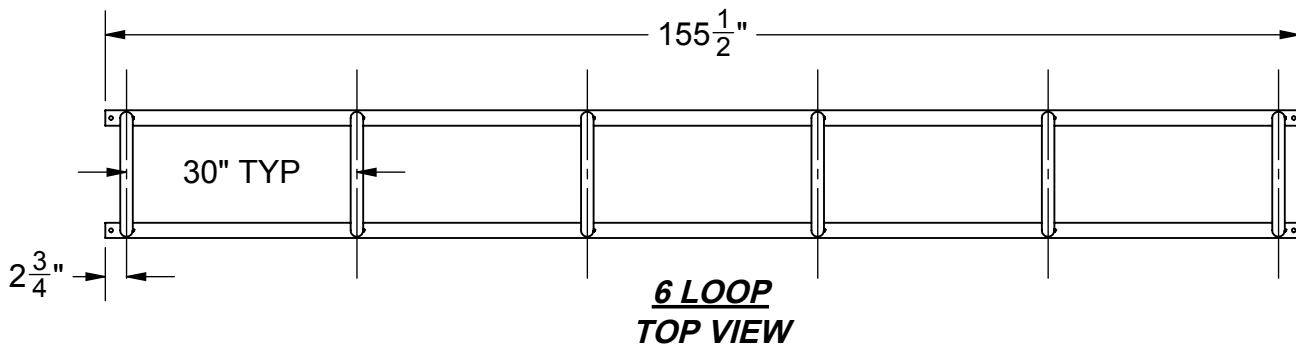
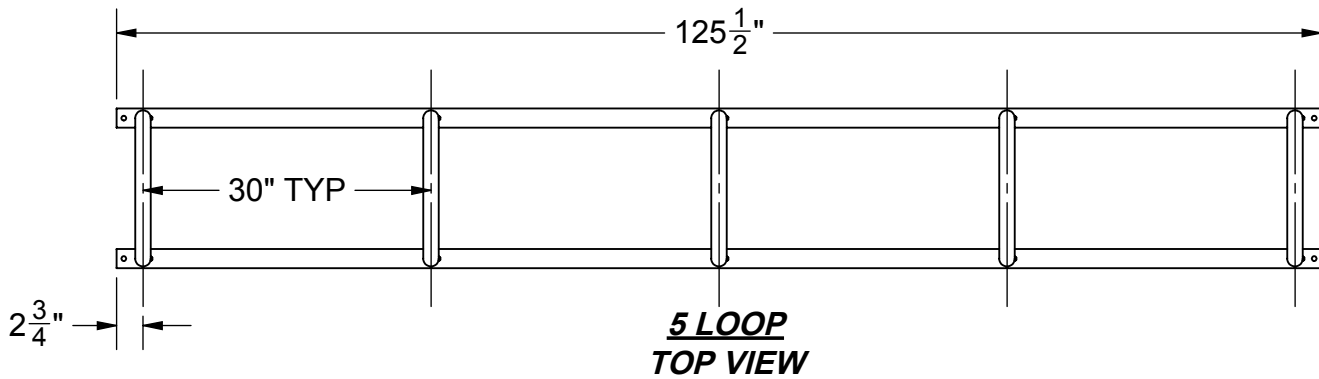
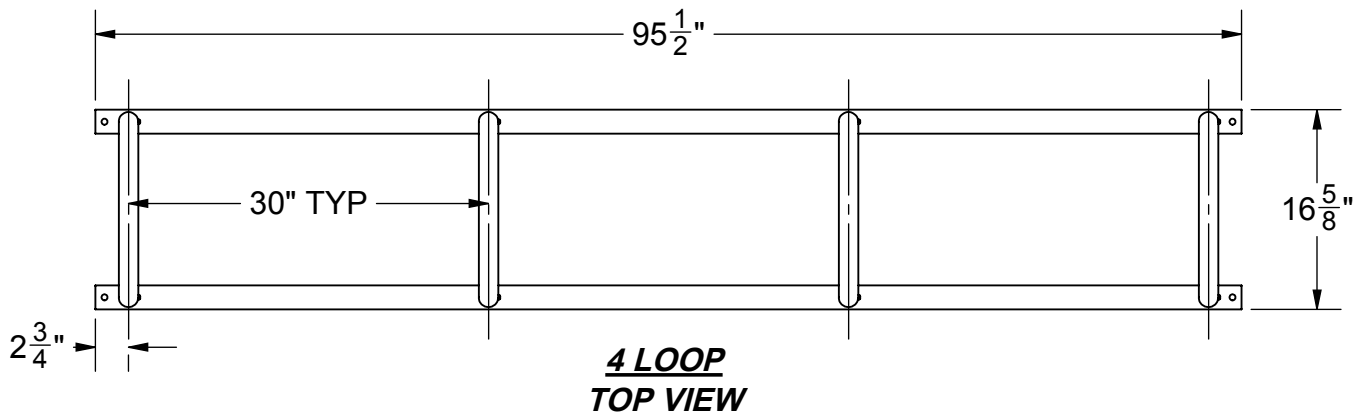
SCALE: N.T.S.  
 DATE: 2/8/17  
 DRAWN: MT  
 REV: 2/8/17  
 SHEET: 1 of 2

**SPECIFICATION / INSTALLATION INSTRUCTIONS**

MULTI MINI RAINBOW BIKE RACK

**1618**

# MULTI MINI RAINBOW BIKE RACK



<i>1618 Packing Slip</i>	<b>3 LOOP</b>	<b>4 LOOP</b>	<b>5 LOOP</b>	<b>6 LOOP</b>
<b>MATERIAL LIST</b>	<b>QTY</b>	<b>QTY</b>	<b>QTY</b>	<b>QTY</b>
Rainbow Loops	3	4	5	6
Channel & Stub Rack	2	2	2	2
1/4" x 1" Drive Screws	6	8	10	12
7/32" Drill Bit	1	1	1	1



SITE FURNISHINGS

SCALE: N.T.S.  
DATE: 2/8/17  
DRAWN: MT  
REV: 2/8/17  
SHEET: 2 of 2

**SPECIFICATION / INSTALLATION INSTRUCTIONS**

*MULTI MINI RAINBOW BIKE RACK*

**1618**