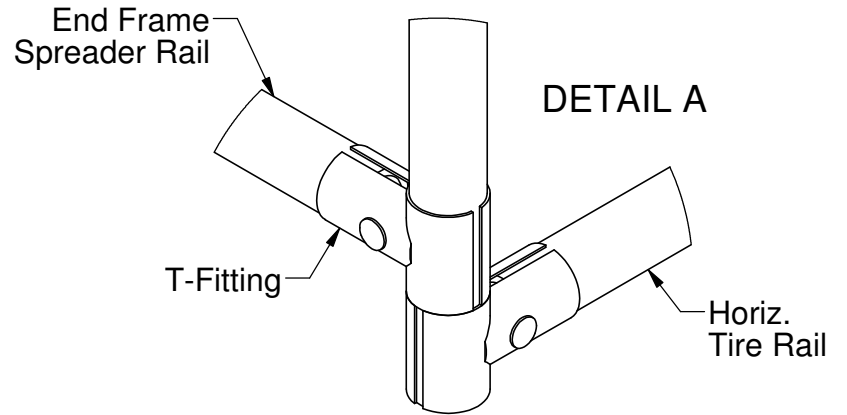
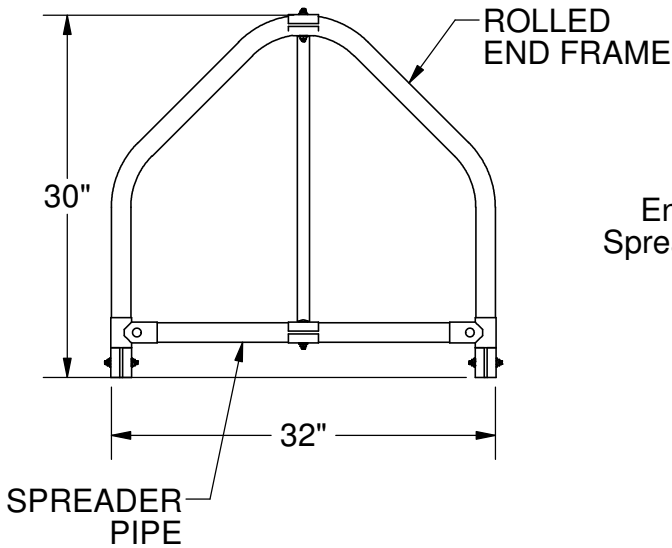
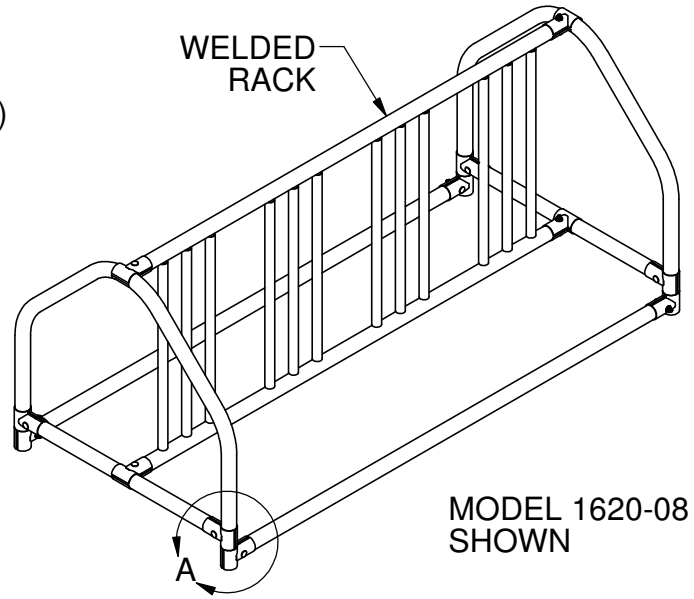


# **DOUBLE SIDED BIKE RACK**

MODEL 1620-06 6 SPACE RACK (109 LBS)  
 MODEL 1620-08 8 SPACE RACK (118 LBS)  
 MODEL 1620-16 16 SPACE RACK (184 LBS)




MODEL	L	x	W	x	H
MODEL # 1620-06 = 6 SPACE RACK	51"		32"		30"
MODEL # 1620-08 = 8 SPACE RACK	67"		32"		30"
MODEL # 1620-16 = 16 SPACE RACK	130"		32"		30"

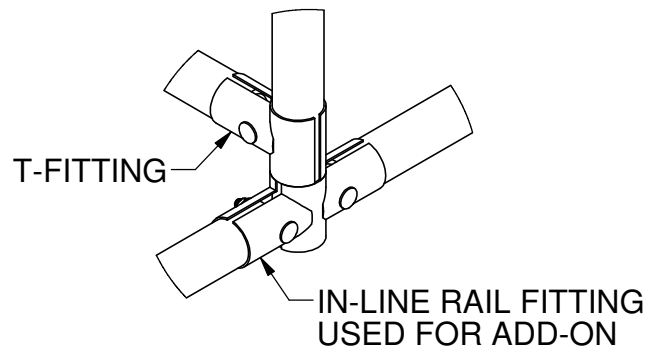
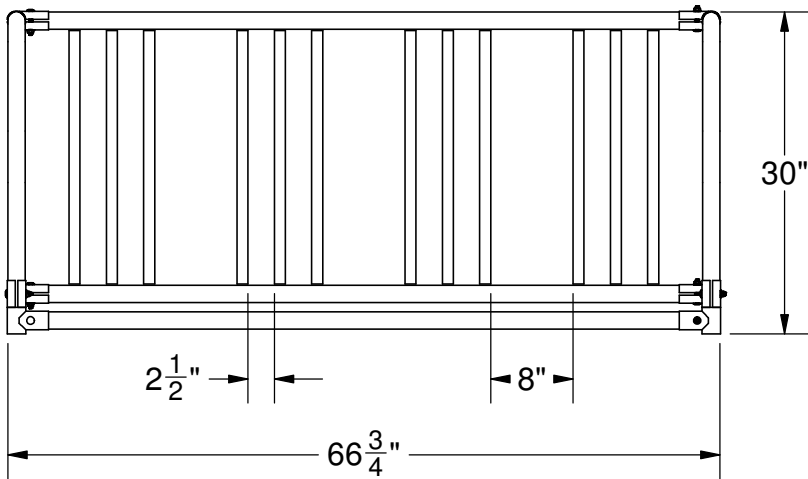
## **SPECIFICATIONS:**

One of our most popular bike racks featuring 1-5/8" O.D. steel frame with 1-3/8" O.D. steel vertical rails. Can be entered from either side and number of spaces can be doubled with the add-on rack. T-fittings and in-line rail fittings are used to assemble the rack.

Finish: Galvanized or Powder Coated

 <p><b>ATHLETIC MFG. CO.</b></p>	Date: 4/23/2013	<b>SPECIFICATION / INSTALLATION INSTRUCTIONS</b>
	Rev: SS10517	
	Drawn: AY	MODEL NO.
	Sheet: 1 of 2	<b>1620</b>

MODEL 1620-08 8 SPACE RACK



**INSTALLATION INSTRUCTIONS:**

1. Attach spreader brace rail to bent end frame with T-fittings and carriage bolts. Bottom of T-fitting to be attached approximately 3" from bottom of bent end.
2. Attach T-fittings on both end frames. Tighten finger tight until rack is fully assembled.
3. Attach welded rack to bent end frame and spreader brace rail with T-fittings and carriage bolts. The T-fittings will be centered on the bent end and spreader brace rail.
4. Attach other end frame in same manner.
5. Attach horizontal brace pipes to end frames with T-fittings and carriage bolts. Note: The T-fittings will attach at ground level.
6. Level and plumb. Tighten all bolts.
7. Drill holes through each T-fitting and underlying pipe using the drill bit provided, and hammer in drive pins.

Note: Bike rack is pre-drilled with holes for standard surface mount. Hardware is not provided for anchoring.

MODEL 1620  
(6, 8, & 16 SPACES)

Packing Slip	Qty
Rack Center Section - 8 Space	1
Rack Bent End Frame	2
Tire Rail (1-5/8" O.D. x 61")	2
End Rail (1-5/8" O.D. x 26-1/2")	2
Hardware Kit	Qty
1-5/8" T-Fittings	12 Pair
5/16" x 2-1/4" Carriage Bolts	12
5/16" Nylock Nuts	12
#10 x 1/2" Drive Screws	24

<p>ATHLETIC MFG. CO.</p>	Date: 4/23/2013	<p><b>SPECIFICATION / INSTALLATION INSTRUCTIONS</b></p> <p><b>DOUBLE SIDED BIKE RACK</b></p>
	Rev: SS10517	
	Drawn: AY	MODEL NO.
	Sheet: 2 of 2	<b>1620</b>

## Pick Ticket

Fabrication to Provide Ladder section, End frames, tire rails, and end rails  
Shipping to pull hardware kit.

<b>Packing Slip</b>	<b>Qty</b>
Rack Center Section - 8 Space	1
Rack Bent End Frame	2
Tire Rail (1-5/8" O.D. x 61")	2
End Rail (1-5/8" O.D. x 26-1/2")	2
<b>Hardware Kit</b>	<b>Qty</b>
1-5/8" T-Fittings	12 Pair
5/16" x 2-1/4" Carriage Bolts	12
5/16" Nylock Nuts	12
#10 x 1/2" Drive Screws	24

