

# SITE FURNISHINGS

**MODEL - 1652 BIKE RACK (M1) (55LBS)**

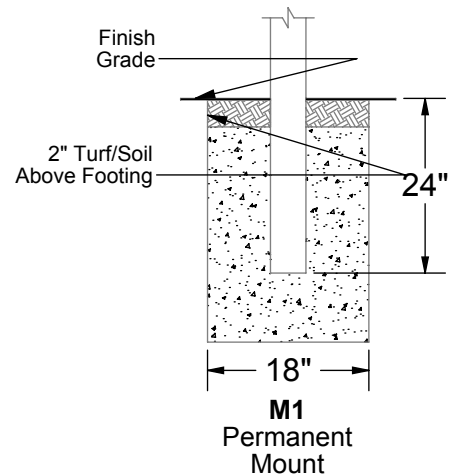
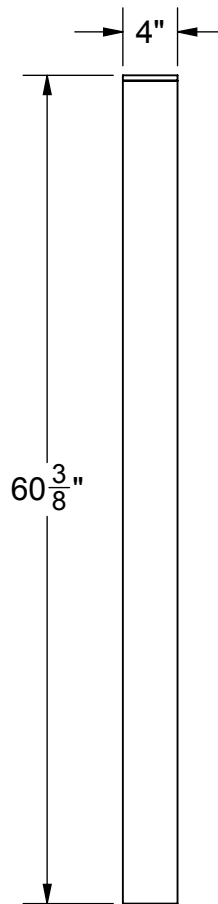
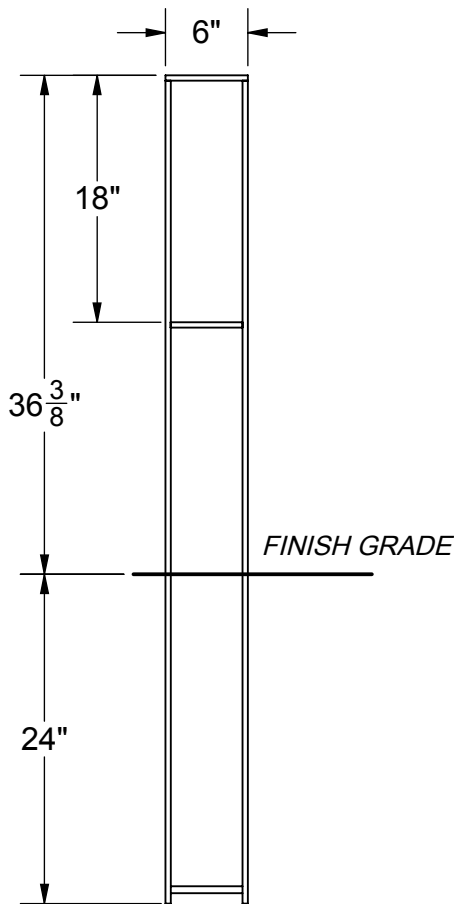
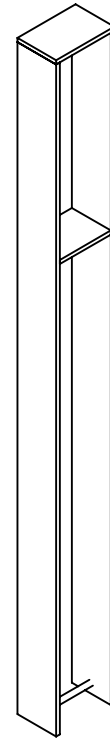
**SPECIFICATIONS:**

**FLAT BAR: 3/8" STEEL PLATE, 1/2" STEEL ROD**

**GENERAL NOTES:**

**STEEL:** STEEL PLATE SHALL CONFORM TO THE REQUIREMENTS OF ASTM A36.

**FINISH:** COMPONENTS SHALL BE COATED WITH POLYESTER TGIC POWDER COAT FINISH MEETING AAMA 2604-02 SPECIFICATIONS.



**INSTALLATION INSTRUCTIONS:**

- 1) Dig a hole 30" deep for in-ground install.
- 2) Put a 6" layer of gravel in the bottom of the hole to allow for drainage.
- 3) For in-ground installation, center the bike rack in the footing hole and block or shim bike rack from below so that top of bike rack is 36" above finish grade.
- 4) For surface mount installation mark anchor locations by using the holes in the surface mount plate. Anchor in desired position. (Anchors not included)

**Note:** Footing sizes are based on average soil conditions. Loose and/or sandy soil is not average and footing sizes must be increased accordingly to meet soil conditions and local building codes and specifications.

**NOTE: MOUNTING OPTIONS:**

- M1 - IN-GROUND MOUNTING
- M3 - SURFACE MOUNTING



SITE FURNISHINGS

DATE: 10/6/15	<b>SPECIFICATION / INSTALLATION INSTRUCTIONS</b>
REV: 2/4/16	
DRAWN: MT	
STEEL FLAT BAR BIKE RACK	
<b>1652</b>	
SHEET: 1 of 2	

# SITE FURNISHINGS

MODEL - 1652 BIKE RACK (M3) (35LBS)

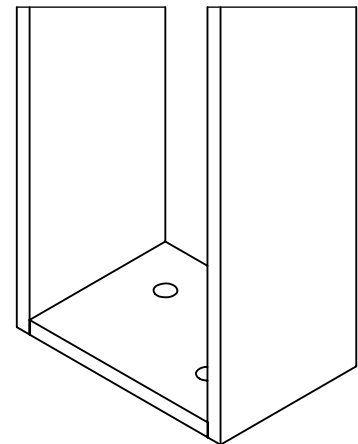
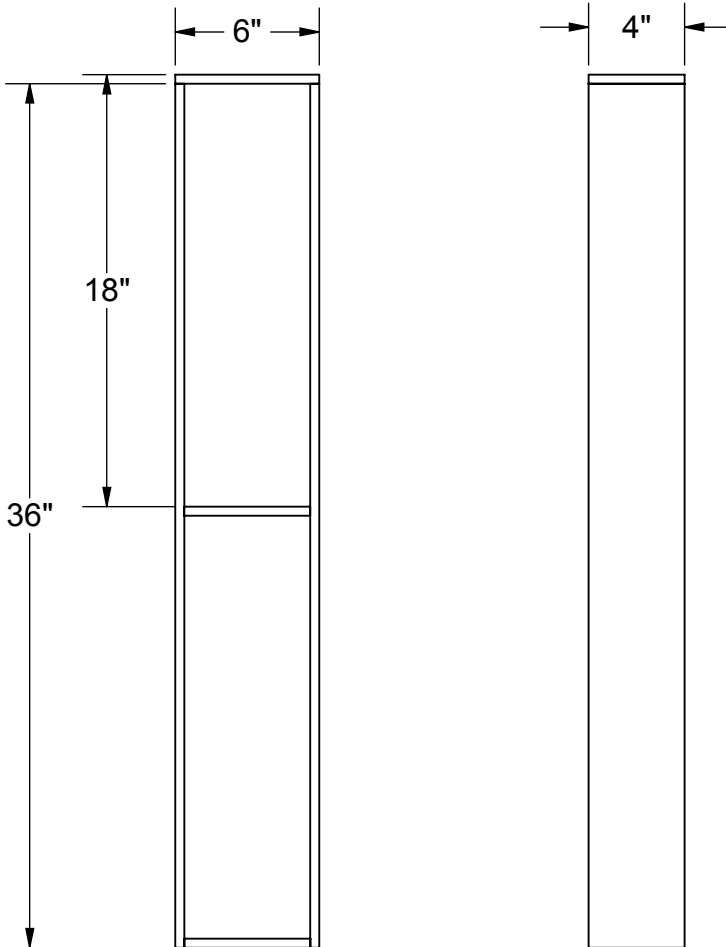
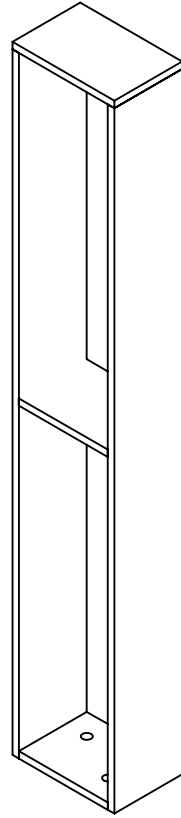
## SPECIFICATIONS:

FLAT BAR: 3/8" STEEL PLATE, 1/2" STEEL ROD

## GENERAL NOTES:

**STEEL:** STEEL PLATE SHALL CONFORM TO THE REQUIREMENTS OF ASTM A36.

**FINISH:** COMPONENTS SHALL BE COATED WITH POLYESTER TGIC POWDER COAT FINISH MEETING AAMA 2604-02 SPECIFICATIONS.



**NOTE: MOUNTING OPTIONS:**  
M3 - SURFACE MOUNTING

(Note: Bike Rack must be anchored. Anchoring hardware not included.)



SITE FURNISHINGS

DATE: 10/6/15  
REV: 2/4/16  
DRAWN: MT

SHEET: 2 of 2

**SPECIFICATION / INSTALLATION INSTRUCTIONS**

STEEL FLAT BAR BIKE RACK

**1652**