

ROUND-UP BIKE RACK

MODEL 1700-00 BIKE RACK - 36" (25 lbs each)
(Ordered separately)

OPTIONAL POWDER COATING AVAILABLE
IN ANY OF OUR POWDER COAT COLORS

SPECIFICATIONS:

1. A heavy-duty, steel ring configurable in many patterns.
Sold individually.

MATERIAL: Formed from 2-3/8" O.D. steel tube

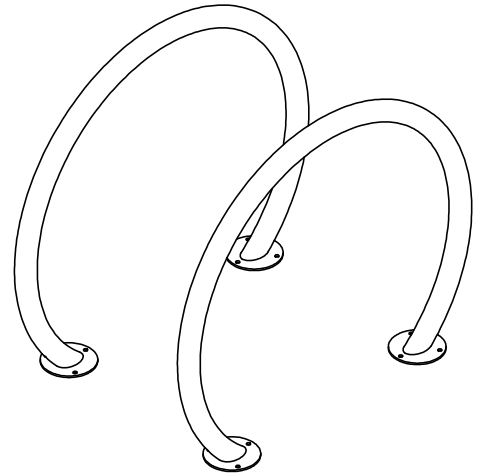
FINISH: Galvanized, stainless steel, or powder coated

WARRANTY PERIOD: 10 years

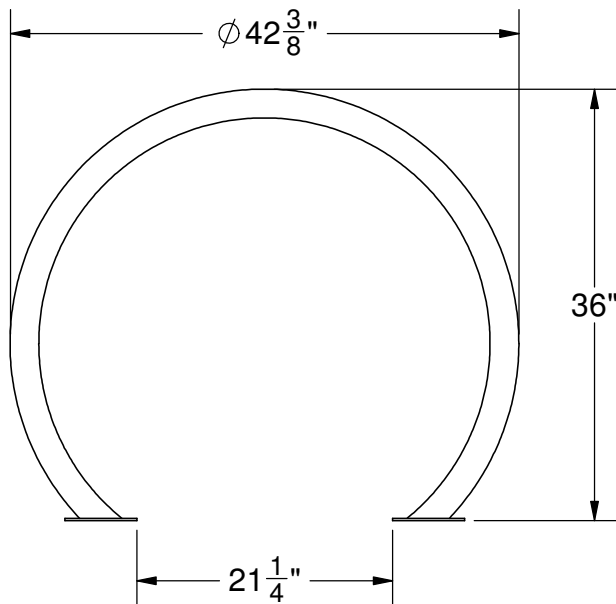
Mounting Options:

M1 (permanent mount)

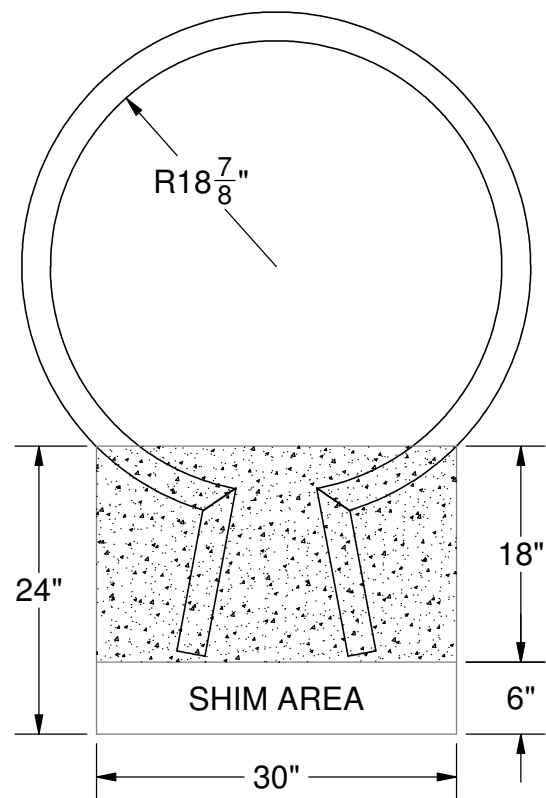
M3 (surface mount)




24" recommended
spacing between racks



MODEL 1700-00
M3 Mount



MODEL 1700-00
M1 Mount

 <p>ATHLETIC MFG. CO.</p>	Date: 4/24/2013	SPECIFICATION / INSTALLATION INSTRUCTIONS
	Rev: SS82217	
	Drawn: AY	ROUND-UP BIKE RACK
	Sheet: 1 of 1	MODEL NO. 1700

Pick Ticket

Internal use only return to office with packet

Shipping to pull Nothing. Bike Rack to come from Fabrication or Powder coat if shortages exist notify the office immediately.

