

# **ROUND-UP BIKE RACK**

MODEL 1701-00SS-IG BIKE RACK - 35" (23 lbs each)  
MODEL 1701-00SS-SM

## **SPECIFICATIONS:**

1. A heavy-duty, steel ring configurable in many patterns.  
Sold individually.

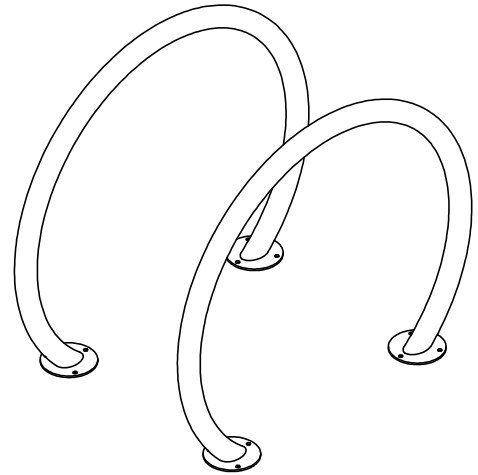
MATERIAL: Formed from 2-3/8" O.D. steel tube

FINISH: Stainless Steel

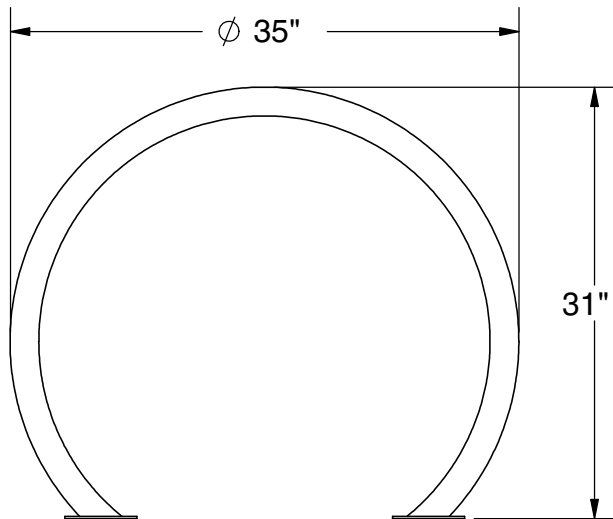
WARRANTY PERIOD: 10 years

## **Mounting Options:**

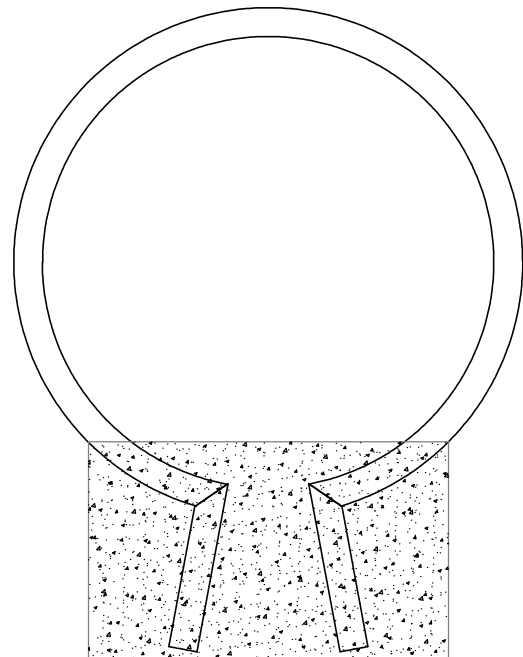
In-Ground Mount  
Surface Mount




24" recommended  
spacing between racks



MODEL 1701-00SS-SM



MODEL 1701-00SS-IG

 <b>ATHLETIC MFG. CO.</b> ELEMENTS FOR LIFE OUTSIDE™	Date: 5/5/23	<b>SPECIFICATION / INSTALLATION INSTRUCTIONS</b>
	Rev:	
	Drawn: RD	MODEL NO.
	Sheet: 1 of 1	<b>1701-00SS-SM/IG</b>