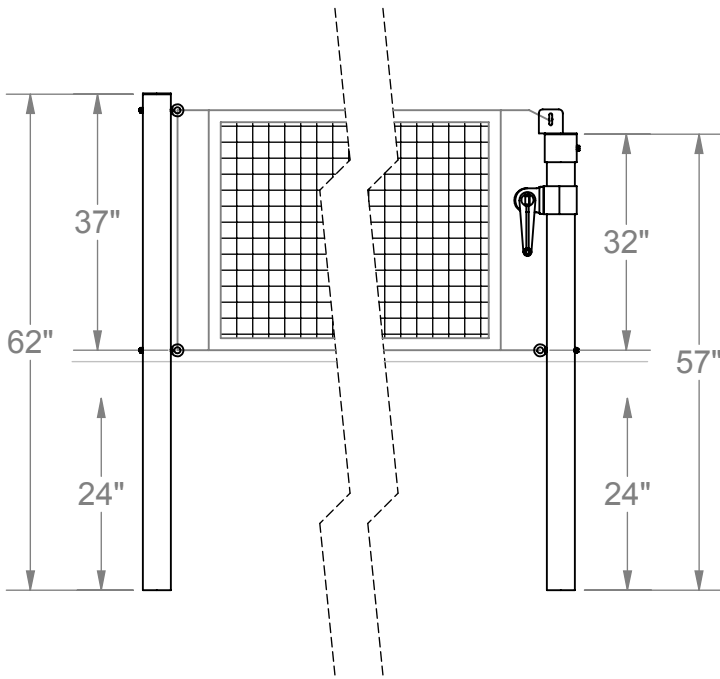


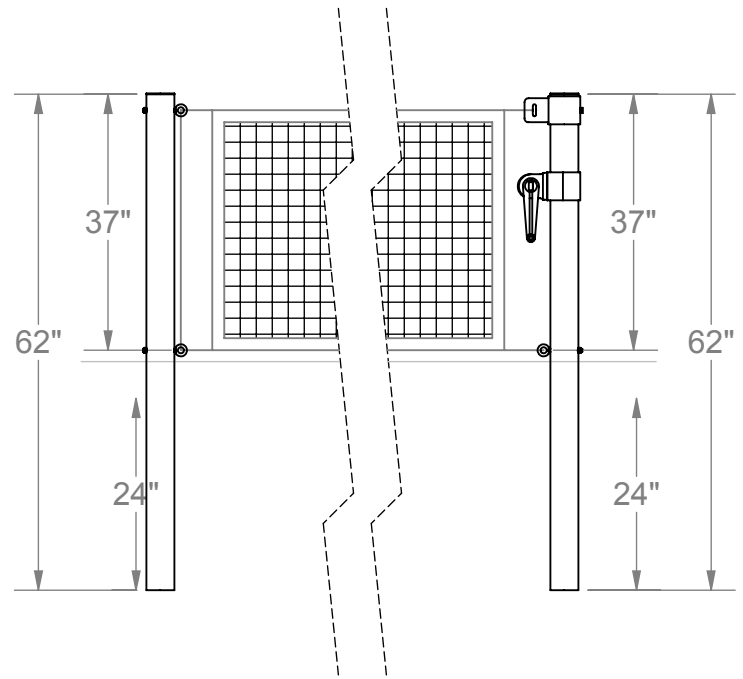
PICKLEBALL POSTS

MODEL #2202-11 W/ TOP PULLEY
MODEL #2202-11-M3 W/ SURFACE MOUNTING
MODEL #2202-20 W/ SIDE PULLEY
MODEL #2202-20-M3 W/ SURFACE MOUNTING

Model #2202-11 - Top Pulley



Model #2202-20 - Side Pulley



SPECIFICATIONS:


Materials: Posts are fabricated of galvanized steel and a welded cap. Available in 3-1/2" O.D., the overall length of each post is 62" allowing for 24" of post in concrete.
 Note: Post with top pulley is 3" shorter than its mating post to allow for proper net height.

Net Tightener: Cast aluminum with removable handle bolted onto welded galvanized steel adjustable collar.

Top Pulley: All welded construction of either heavy galvanized steel, and may be powder coated. A 2-1/2" diameter pulley with 3/8" shaft guide. Top pulley is not adjustable.

Side Pulley: All welded construction of heavy galvanized steel. 2-1/2" diameter pulley on 3/8" shaft guides net cables.

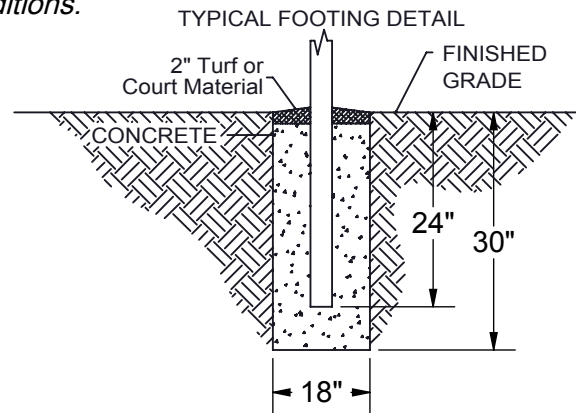
Fixed Eyes: 3/8" diameter zinc plated steel eyebolts

 <p>ATHLETIC MFG. CO.</p>	Date: 10/8/2014	SPECIFICATION / INSTALLATION INSTRUCTIONS PICKLEBALL POSTS
	Rev: 2/11/16	
	Drawn: MT	MODEL NO.
	Sheet: 1 of 3	2202-11 - W/ TOP PULLEY 2202-20 - W/ SIDE PULLEY

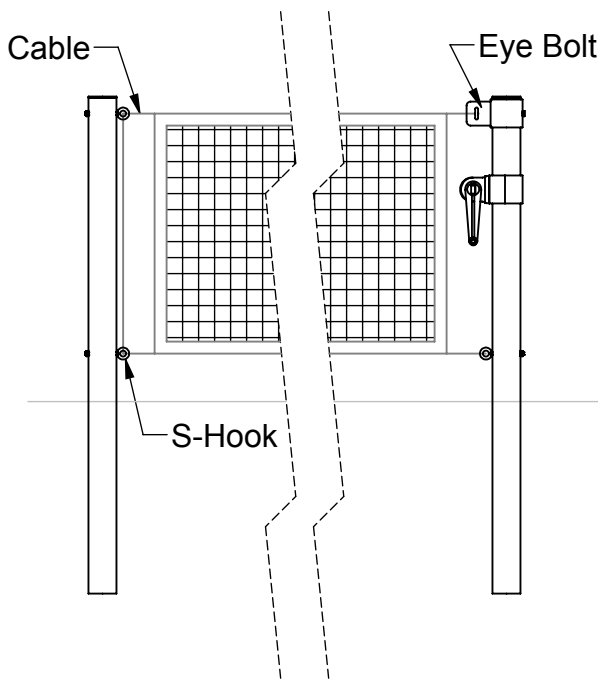
INSTALLATION INSTRUCTIONS:

1. Dig Holes 18" in diameter and 30" deep below finish grade, 23' on center
2. Install eyebolts onto posts. Note: Cut and peen any excess threads sticking out of nut.
3. Attach net tightener to collar with 5/16" x 3/4" hex bolts.
4. Slide the net tightener over the post with one eyebolt and secure with set screw.
 For Model 2202-11, cap the pipe with top pulley and secure with set screw.
 For Model 2202-20, secure the side pulley 3" from the top of the post with set screw.
 Note: Post to accommodate top pulley is 5" shorter than the opposite post to allow for proper net height.
5. Secure fittings in place with hex wrench.
6. Set the double eye post in a hole and shim from below so that the top eye is 36" above finish grade.
7. Set the post with top pulley (Model 2202-11) and shim from below so that the top of the pulley is 35" above finish grade. OR Set the post with the side pulley (Model 2202-20) and shim from below so that the top of the post is 38" above finish grade. Plumb and brace.
8. Pour concrete up to within 2" of finish grade. Let concrete set for 3 days before removal of bracing.
9. Cover concrete footings with turf or court material.
10. **Note: JTN-30 Pickleball/Quick Start Tennis Net 36" x 21'9" SOLD Separately.**

Note: Footing sizes are based on average soil conditions. Loose and/or sandy soil is not average and footing sizes must be increased accordingly to meet local soil conditions.



NET INSTALLATION



MATERIAL LIST	QTY
Double Eye Post	1
Single Eye w/ NT, TP or SP Post	1
Net Tightener Handle	1
3-1/2" Net Tightener Collar	1
5/16" x 3/4" Hex Bolt for NT	2
5/16" Flat Washer	2
3-1/2" Top or Side Pulley Collar	1
2-1/2" Cast Pulley	1
3/8" x 2" Eye Bolt	1
3/8" Nylock Nut for SP or TP	1
3/8" x 5/8" Set Screw for Collars	2
3/8" x 4" Eye Bolt	3
3/8" Nylock Nut	3
5/16" x 2-1/2" S-Hook	1
1/4" Hex Key Wrench	1

INSTRUCTIONS TO LOOSEN OR TIGHTEN THE NET ARE LOCATED ON THE TIGHTENER.



Date: 10/8/2014
 Rev: 2/11/16
 Drawn: MT
 Sheet: 3 of 3

SPECIFICATION / INSTALLATION INSTRUCTIONS

PICKLEBALL POSTS

MODEL NO.

2202-11 - W/ TOP PULLEY
2202-20 - W/ SIDE PULLEY

Pick Ticket

Internal use only return to office with packet

Shipping to pull Collars, Tensioner and Hardware. Posts from Fabrication if shortages exist notify the office immediately.

MATERIAL LIST	QTY
Double Eye Post	1
Single Eye w/ NT, TP or SP Post	1
Net Tightener Handle	1
3-1/2" Net Tightener Collar	1
5/16" x 3/4" Hex Bolt for NT	2
5/16" Flat Washer	2
3-1/2" Top or Side Pulley Collar	1
2-1/2" Cast Pulley	1
3/8" x 2" Eye Bolt	1
3/8" Nylock Nut for SP or TP	1
3/8" x 5/8" Set Screw for Collars	2
3/8" x 4" Eye Bolt	3
3/8" Nylock Nut	3
5/16" x 2-1/2" S-Hook	1
1/4" Hex Key Wrench	1

