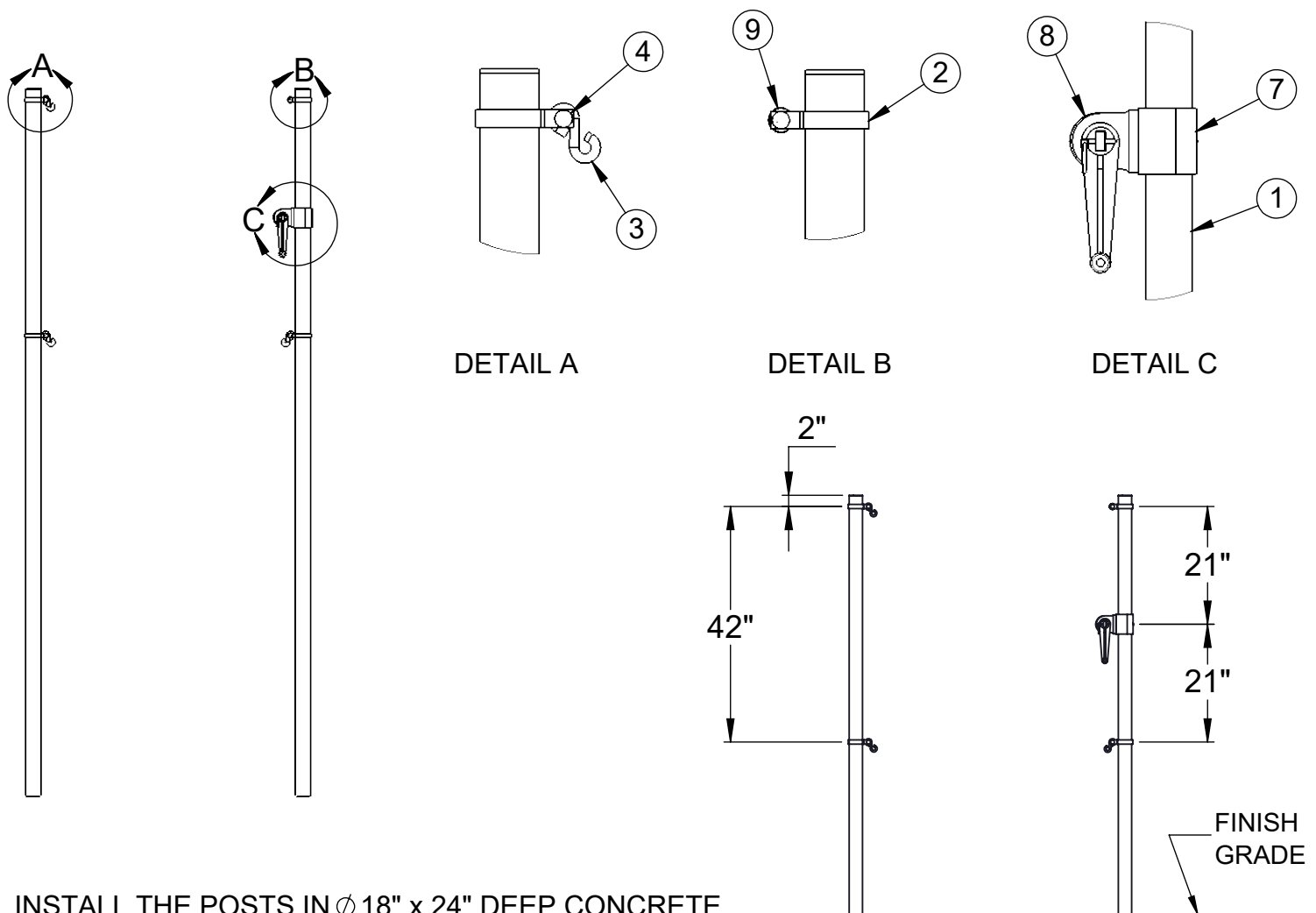


ITEM NO.	PART NUMBER	DESCRIPTION	QTY.
1	W2212GPOST	2-3/8" O.D. GAME POST AND CAP	2
2	VCIBB238	2-3/8" BRACE BAND	4
3	HWSH516212	5/16" x 2-1/2" S-HOOK	3
4	HWCB5161	5/16"-18 x 1" CARRIAGE BOLT	4
5	HWFLWA516	5/16" USS FLAT WASHER	6
6	HWLN516	5/16"-18 LOCK NUT	4
7	CINETCOL238	ADJUSTABLE NET COLLAR	1
8	8321NT	NET TIGHTENER WITH REMOVABLE HANDLE	1
9	LA-VCIPULLEY1	GAME POST PULLEY	1
10	HWHB51634	5/16" x 3/4" HEX BOLT	2
11	HWSC3858	3/8"-16 x 5/8" SET SCREW	1



INSTALL THE POSTS IN ϕ 18" x 24" DEEP CONCRETE FOOTINGS OR POST SLEEVES. THE TOPS OF THE POSTS ARE 8'-6" ABOVE THE FINISH GRADE.

ELEVATION VIEW



Date: 5/3/23

Rev:

Drawn: CW

Sheet: 1 of 1

PRODUCT NAME

QUALITY GAME NET POSTS

MODEL NO.

2212-00QG-SPEC