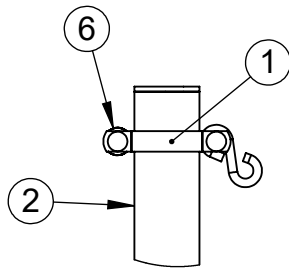
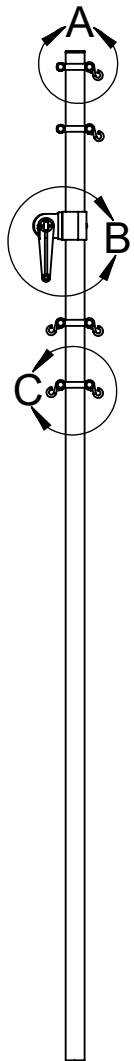
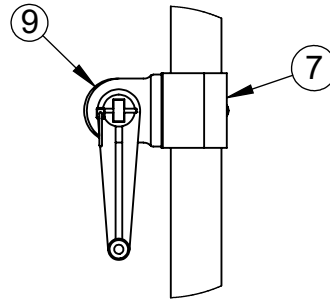


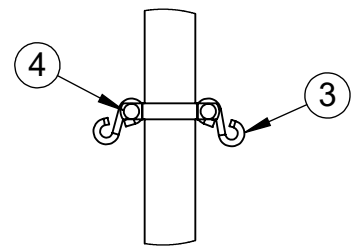
ITEM NO.	PART NUMBER	DESCRIPTION	QTY.
1	VCISPLIT238	2-3/8" SPLIT RAIL HALF CLAMP	4
2	W2212GPOST	2-3/8" O.D. GAME POST AND CAP	1
3	HWSH516212	5/16" x 2-1/2" S-HOOK	6
4	HWCB5161	5/16"-18 x 1" CARRIAGE BOLT	8
5	HWLN516	5/16"-18 LOCK NUT	8
6	LA-VCIPULLEY1	GAME POST PULLEY	2
7	CINETCOL238	ADJUSTABLE NET COLLAR	1
8	HWSC3858	3/8"-16 x 5/8" SET SCREW	1
9	8321NT	NET TIGHTENER WITH REMOVABLE HANDLE	1
10	HWHB51634	5/16" x 3/4" HEX BOLT	2
11	HWFLWA516	5/16" USS FLAT WASHER	10



DETAIL A



DETAIL B



DETAIL C

INSTALL THE POST IN A ϕ 18" x 24" DEEP CONCRETE FOOTING OR POST SLEEVE. THE TOP OF THE POST IS 8'-6" ABOVE THE FINISH GRADE.



Date: 4/24/23

Rev:

Drawn: CW

Sheet: 1 of 1

PRODUCT NAME

STANDARD CENTER GAME POST

MODEL NO.

2212-31SC-SPEC