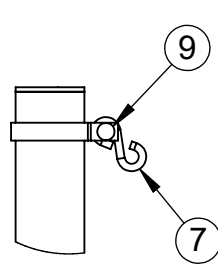
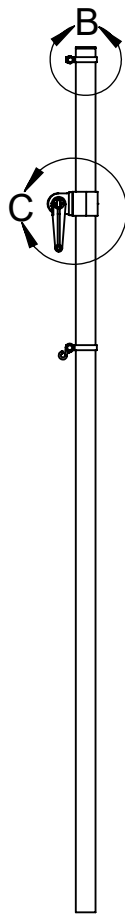
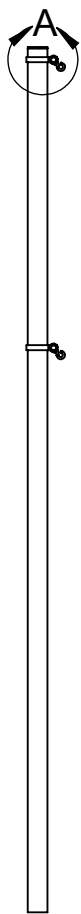
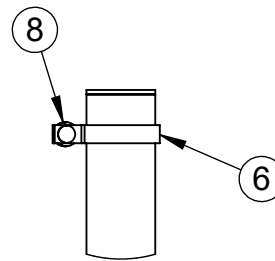


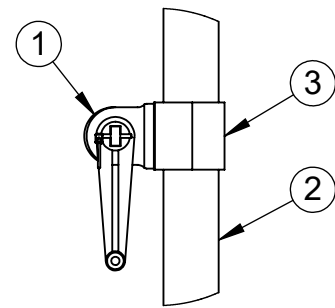
ITEM NO.	PART NUMBER	DESCRIPTION	QTY.
1	8321NT	NET TIGHTENER WITH REMOVABLE HANDLE	1
2	W2214GPOST	2-7/8" O.D. GAME POST AND CAP	2
3	CINETCOL278	ADJUSTABLE NET COLLAR	1
4	HWHB51634	5/16" x 3/4" HEX BOLT	2
5	HWSC3858	3/8"-16 x 5/8" SET SCREW	1
6	VCIBB278	2-7/8" BRACE BAND	4
7	HWSH516212	5/16" x 2-1/2" S-HOOK	3
8	LA-VCIPULLEY1	GAME POST PULLEY	1
9	HWCB5161	5/16"-18 x 1" CARRIAGE BOLT	4
10	HWFLWA516	5/16" USS FLAT WASHER	6
11	HWLN516	5/16"-18 LOCK NUT	4



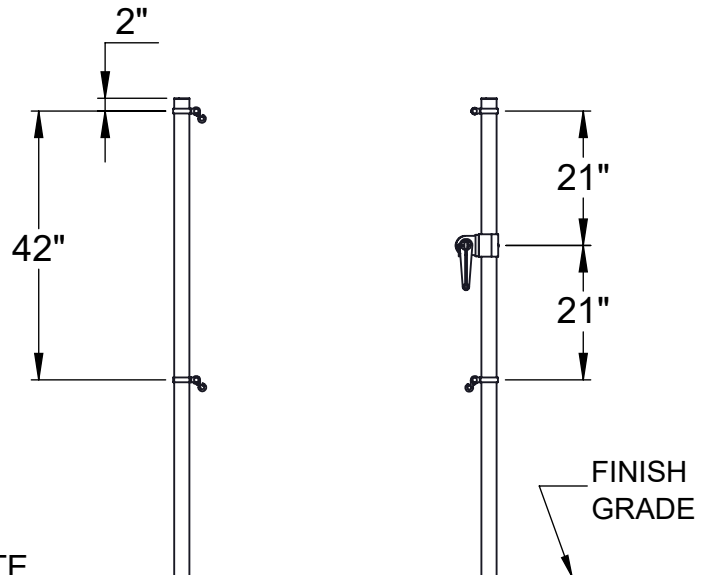
DETAIL A



DETAIL B



DETAIL C



ELEVATION VIEW

INSTALL THE POSTS IN ϕ 18" x 24" DEEP CONCRETE FOOTINGS OR POST SLEEVES. THE TOPS OF THE POSTS ARE 8'-6" ABOVE THE FINISH GRADE.



Date: 4/25/23
 Rev:
 Drawn: CW
 Sheet: 1 of 1

PRODUCT NAME
QUALITY GAME NET POSTS
 MODEL NO.
2214-00QG-SPEC