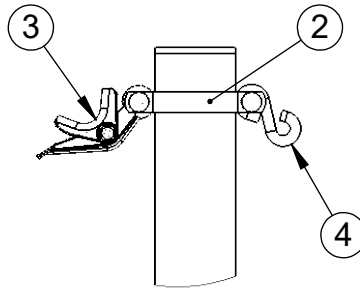
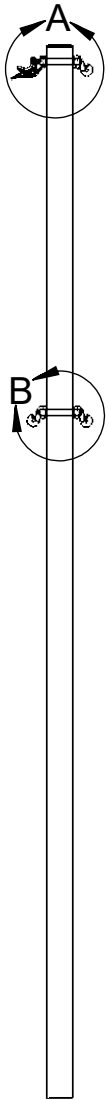
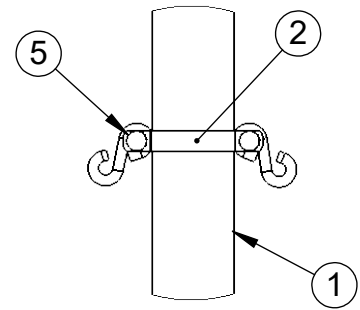


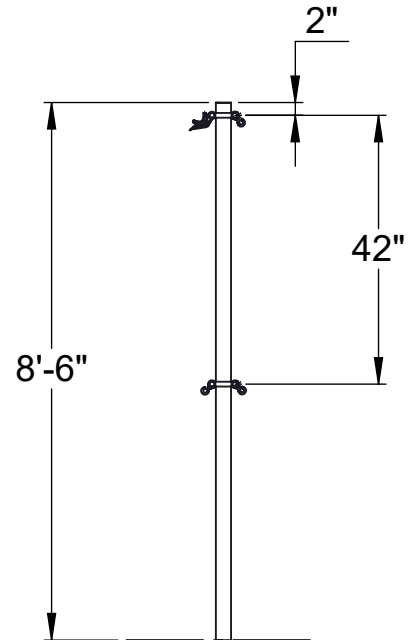
ITEM NO.	PART NUMBER	DESCRIPTION	QTY.
1	W2214GPOST	2-7/8" O.D. GAME POST AND CAP	1
2	VCISPLIT278	SPLIT RAIL HALF CLAMP	2
3	604-044	ROPE CLAMP	1
4	HWSH516212	5/16" x 2-1/2" S-HOOK	3
5	HWCB5161	5/16"-18 x 1" CARRIAGE BOLT	4
6	HWFLWA516	5/16" USS FLAT WASHER	4
7	HWLN516	5/16"-18 LOCK NUT	4



DETAIL A



DETAIL B



ELEVATION DETAIL

INSTALL THE POST IN A ϕ 18" x 24" DEEP CONCRETE FOOTING OR POST SLEEVE. THE TOP OF THE POST IS 8'-6" ABOVE THE FINISH GRADE.



Date: 4/25/23
 Rev:
 Drawn: CW
 Sheet: 1 of 1

PRODUCT NAME
 SUPER VALUE COMBO
 NET CENTER POST
 MODEL NO.
 2214-31-SPEC