

# VOLLEYBALL

- MODEL #2216-00**  
3-1/2" O.D. GALVANIZED COMPETITION POST (157 lbs)
- MODEL #2216-00A**  
3-1/2" O.D. ALUMINUM COMPETITION POST (144 lbs)
- MODEL #2216-31**  
3-1/2" O.D. GALVANIZED COMPETITION POST (80 lbs)
- MODEL #2216-31A**  
3-1/2" O.D. ALUMINUM COMPETITION POST (50 lbs)

- MODEL #2216-21**  
3-1/2" O.D. GALVANIZED DELUXE COMPETITION POST (168 lbs)
- MODEL #2216-21A**  
3-1/2" O.D. ALUMINUM DELUXE COMPETITION POST (146 lbs)
- MODEL #2216-41**  
3-1/2" O.D. GALVANIZED DELUXE COMPETITION POST (93 lbs)
- MODEL #2216-41A**  
3-1/2" O.D. ALUMINUM DELUXE COMPETITION POST (63 lbs)

**GENERAL:** Volleyball posts are available with fixed eyes, net tightener, and side pulley - depending on model selected. All models consist of a pair of posts, except center posts which are designed for side-by-side courts, & include only one post. All posts are equipped w/ fittings for proper net attachment.

**NOTE:** See page 3 & 4 for included accessories.

**MATERIAL:** All materials are selected for strength, durability and the ability to withstand years of exposure.

**POSTS:** A 3-1/2" O.D. heavy-duty Steel or Aluminum Post Over all length 10'6"

**ROPE CLAMPS:** A heavy-duty self-securing clamp, die-cast from rustproof "zamak" metal. Designed to take rope sizes 1/8" to 3/8". Designed to take stress off of rope, as it has a smooth grooved track for the rope.

**NOTE:** For use on nets with rope suspension.

**NET TIGHTENER W/ REMOVABLE HANDLE:** Permits easy and accurate tensioning of the net. Designed for use on nets with cable or rope suspension. Aluminum cast with a removable handle to lock in place. Pull pin and remove handle.

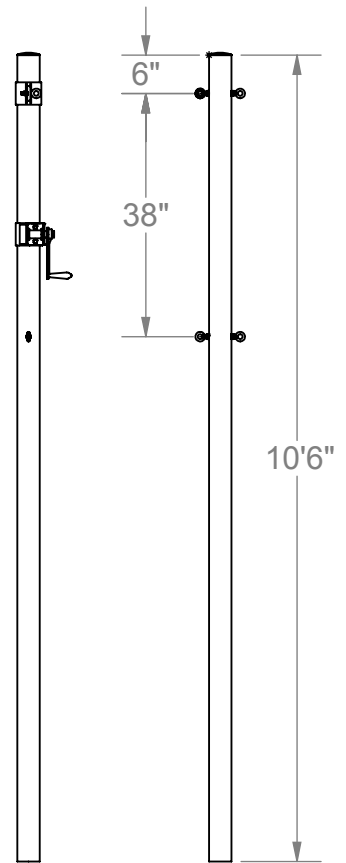
**SIDE PULLEY:** All welded construction of heavy gauge steel galvanized or powder coated. A 2-1/2" Dia. pulley on a 3/8" diameter shaft guides the net cable or rope to the tightener.

**FIXED EYES:** 3/8" diameter zinc-plated steel eyebolts for all models. Heavy steel eyebolts for center post double eyes. These fixed eyes are welded on square post models.

**EYE NUT:** 3/8" eye nuts have internal threads and are used for extending eyebolt for double sided eyes on center posts. Zinc finish.

**FINISH:** All welds are ground smooth. On steel posts welds are additionally treated with galvanizing compound and silver paint or prepared then powder coated.

**WARRANTY PERIOD:** 10 years



Date: 4/20/15  
Rev: SS81717  
Drawn: MT  
Sheet: 1 of 4

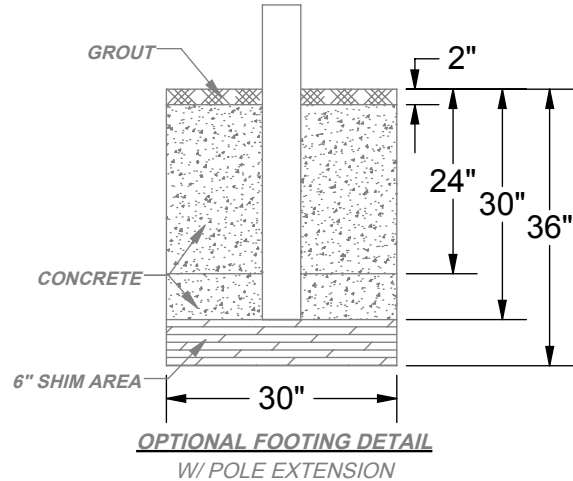
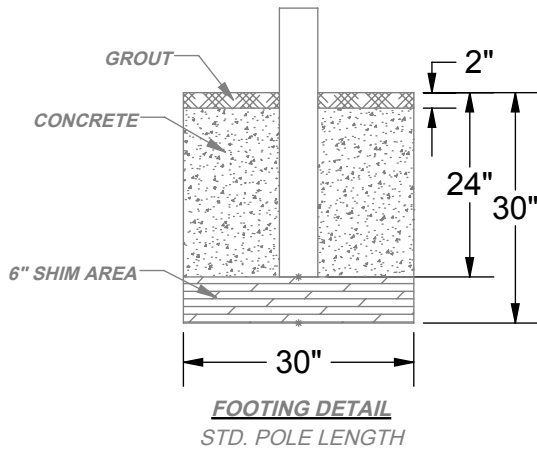
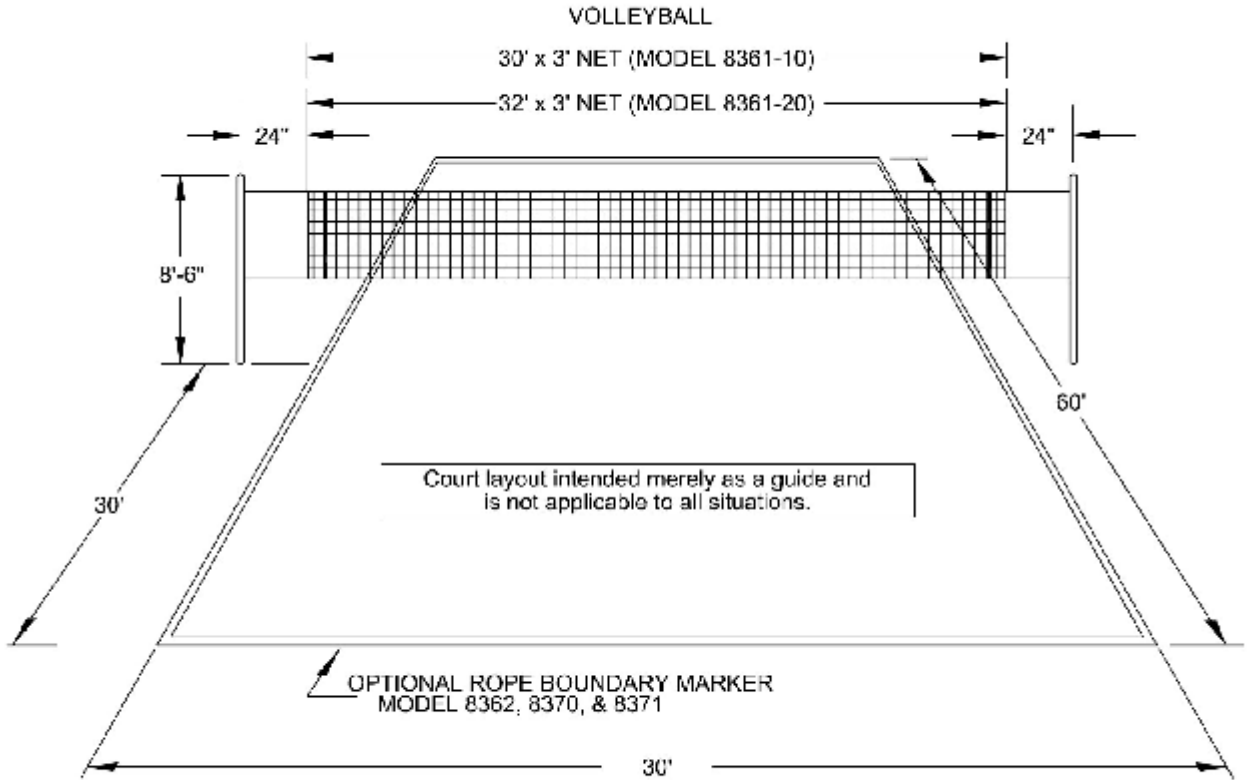
## SPECIFICATION/INSTALLATION INSTRUCTIONS

COMPETITION VOLLEYBALL POST W/ NET TIGHTENER, SIDE PULLEY & ROPE CLAMP

MODEL NO.

**2216-00, -21, -31, -41**

# VOLLEYBALL



Formula to calculate total depth of footing:  
 $24'' (\text{Std}) + X (\text{Extension}) + 6'' = D (\text{Depth})$

**NOTE:** For Sand installation, add depth of sand to total.



Date: 4/20/15  
 Rev: SS81717  
 Drawn: MT  
 Sheet: 2 of 4

## SPECIFICATION/INSTALLATION INSTRUCTIONS

COMPETITION VOLLEYBALL POST W/ NET  
 TIGHTENER, SIDE PULLEY & ROPE CLAMP

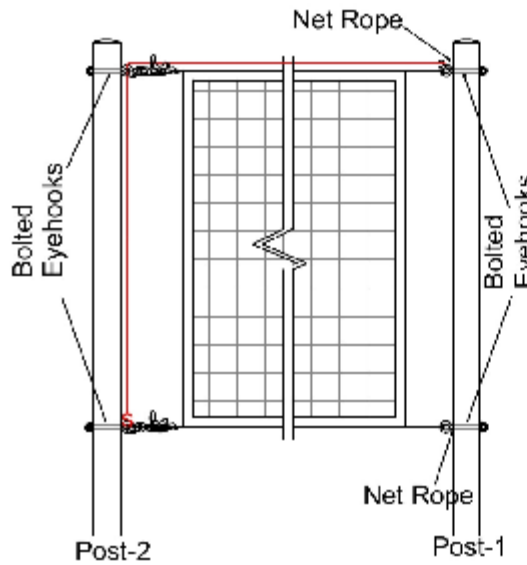
MODEL NO.

**2216-00, -21, -31, -41**

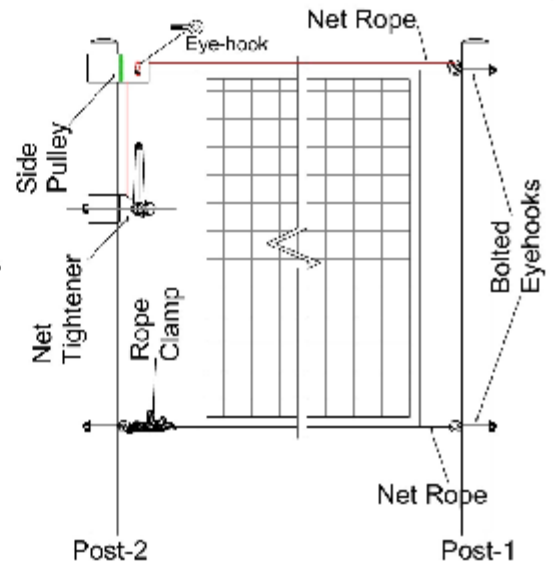
# VOLLEYBALL



FOR MODEL 2216-00  
COMPETITION POST

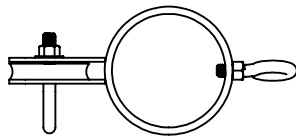


FOR MODEL 2216-21  
COMPETITION  
DELUXE POST

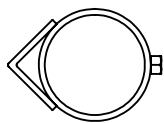


NETS: Model 8361-10 & -20 have Top Cable/Bottom Rope  
Model 8362-10 & -20 have Top Rope/Bottom Rope

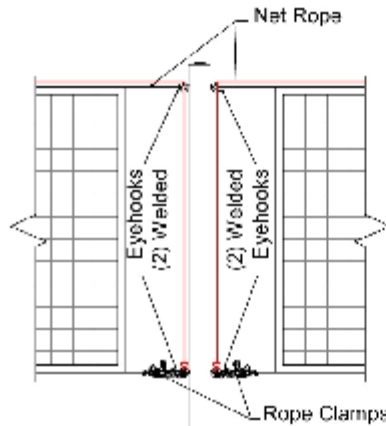
Pulley Top Cap  
Net Tightener Collar  
Pulley Collar



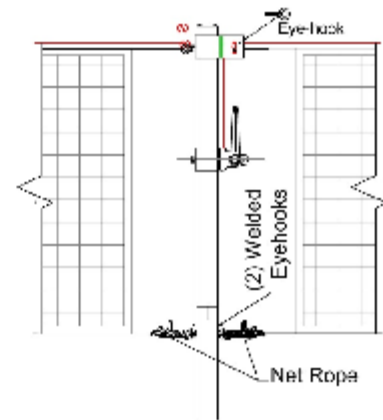
Pulley Collar  
(Top View)



Net Tightener Collar  
(Top View)



2216-31  
COMPETITION  
CENTER POST



2216-41  
COMPETITION DELUXE  
CENTER POST

**NOTE:** Tighten Nets and secure excess net rope out of players reach.



Date: 4/20/15  
Rev: SS81717  
Drawn: MT  
Sheet: 3 of 4

## SPECIFICATION/INSTALLATION INSTRUCTIONS

COMPETITION VOLLEYBALL POST W/ NET  
TIGHTENER, SIDE PULLEY & ROPE CLAMP

MODEL NO.

**2216-00, -21, -31, -41**

# VOLLEYBALL

## INSTALLATION INSTRUCTIONS:

1. Dig holes per footing detail.
2. Install eyebolts. Models with -00 will have four eyebolts and rope clamps. Models with -21 have a net tightener & a side pulley collar. Secure collars in place with a hex wrench. Tighten set screw slightly to hold.
3. Set the posts in the holes & shim from below so that the top of the posts are 8'-6" from finished grade. Plumb & brace. Pour concrete to within 2" of finish grade. Allow concrete to set 3 days. Cover footings with soil or turf. Remove bracing.
4. Secure side pulley on Models-21 so the pulley is 4" from top of pipe & in line w/ eye bolt on other side. Use set screw to secure.
5. Tighten all nuts securely. Any excess threads on eyebolts should be cut & peened smooth.
6. If ordering an optional center post follow steps 1, 2, & 3.
7. When attaching nets, the "through" rope or cable on the top of all the nets allows the netting to slide back & forth. Note: Use net tie-offs on top & bottom of nets to center net & pull tight.

**NOTE: Footing sizes are based on average soil conditions. Loose and/or sandy soil is not average & footing sizes must be increased accordingly to meet local soil conditions.**

Packing Slip	Qty
<b>2216-00</b>	
3-1/2" O.D. x 10'6" Post	2
<b>2216-21</b>	
3-1/2" O.D. 10'6" Post	2
<b>2216-31</b>	
3-1/2" O.D. 10'6" Post	1
<b>2216-41</b>	
3-1/2" O.D. 10'6" Post	1

General Table	
Hardware Kit	Qty
<b>2216-00</b>	
3/8"-16 x 4" Eye Bolt	4
3/8"-16 Lock Nut - Nylock	4
Rope Clamp - Net Tightener	2
5/16" x 2-1/2" S-Hook	1
<b>2216-31</b>	
3/8"-16 x 4" Eye Bolt	2
3/8" - Eye Nut	2
Rope Clamp - Net Tightener	2
5/16" x 2-1/2" S-Hook	2

2216-21	Qty
Net Tightener Handle	1
3-1/2" Net Tightener Collar	1
5/16 x 3/4" Hex Bolt for Above	2
5/16" Flat Washer for Above	2
3-1/2" Side Pulley Collar	1
2-1/2" Cast Pulley	1
3/8" x 2" Eye Bolt	1
3/8" Nylock Nut for Side Pulley	1
3/8" x 5/8" Set Screw	2
3/8" x 4" Eye Bolt	3
3/8" Nylock Nut	3
Rope Clamp - Net Tightener	1
3/16" Hex Key Wrench	1

2216-41	Qty
Net Tightener Handle	1
3-1/2" Net Tightener Collar	1
5/16 x 3/4" Hex Bolt for Above	2
5/16" Flat Washer for Above	2
3-1/2" Side Pulley Collar	1
2-1/2" Cast Pulley	1
3/8" x 2" Eye Bolt	1
3/8" Nylock Nut for Side Pulley	1
3/8" x 5/8" Set Screw for Collar	1
Rope Clamp - Net Tightener	1
3/8 x 1" Eye Bolts	2
5/16" x 2-1/2" S-Hook	1
3/16" Hex Key Wrench	1



Date: 4/20/15  
 Rev: SS81  
 Drawn: MT  
 Sheet: 4 of 4

### SPECIFICATION/INSTALLATION INSTRUCTIONS

COMPETITION VOLLEYBALL POST W/ NET TIGHTENER, SIDE PULLEY & ROPE CLAMP

MODEL NO.

**2216-00, -21, -31, -41**