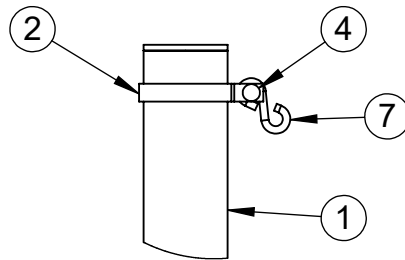
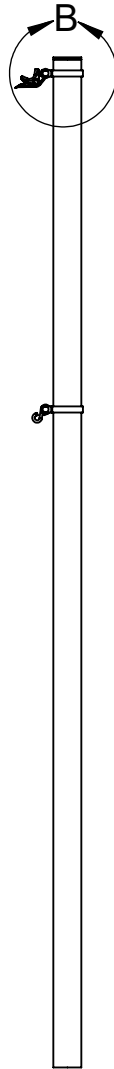
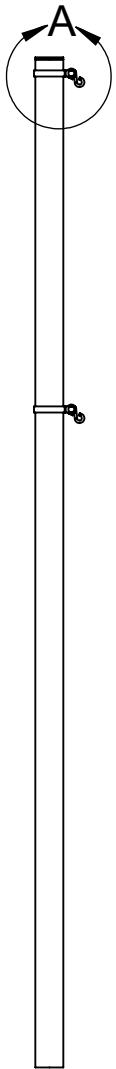
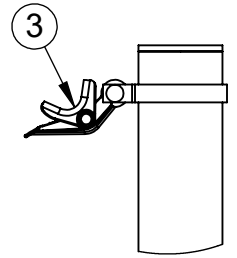


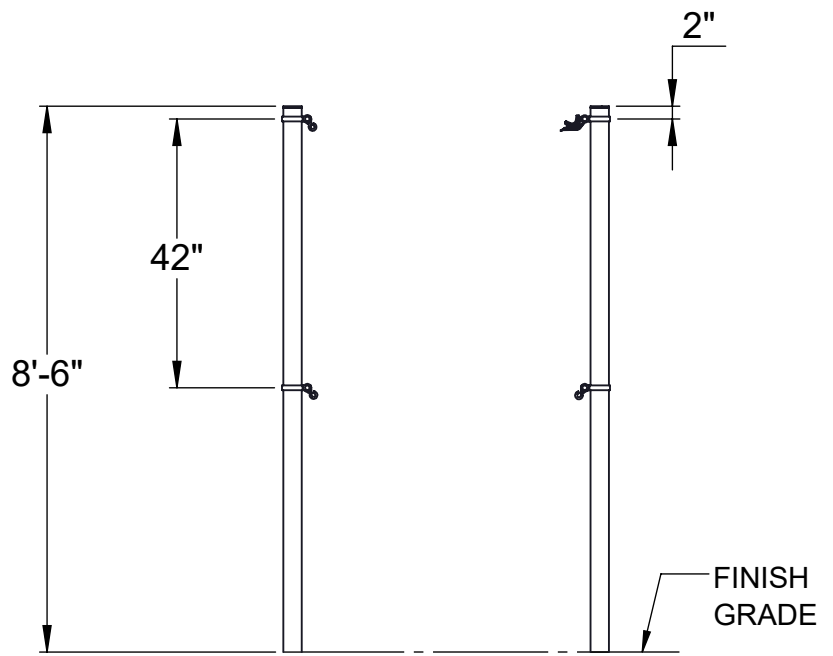
ITEM NO.	PART NUMBER	DESCRIPTION	QTY.
1	W2216GPOST	3-1/2" O.D. GAME POST AND CAP	2
2	VCIBB35	3-1/2" BRACE BAND	4
3	604-044	ROPE CLAMP	1
4	HWCB5161	5/16"-18 x 1" CARRIAGE BOLT	4
5	HWFLWA516	5/16" USS FLAT WASHER	4
6	HWLN516	5/16"-18 LOCK NUT	4
7	HWSH516212	5/16" x 2-1/2" S-HOOK	3



DETAIL A



DETAIL B



ELEVATION VIEW

INSTALL THE POSTS IN  $\phi$  18" x 24" DEEP CONCRETE FOOTINGS OR POST SLEEVES. THE TOPS OF THE POSTS ARE 8'-6" ABOVE THE FINISH GRADE.



Date: 4/25/23  
 Rev:  
 Drawn: CW  
 Sheet: 1 of 1

PRODUCT NAME  
**SUPER VALUE COMBO NET POST**  
 MODEL NO.  
**2216-00-SPEC**