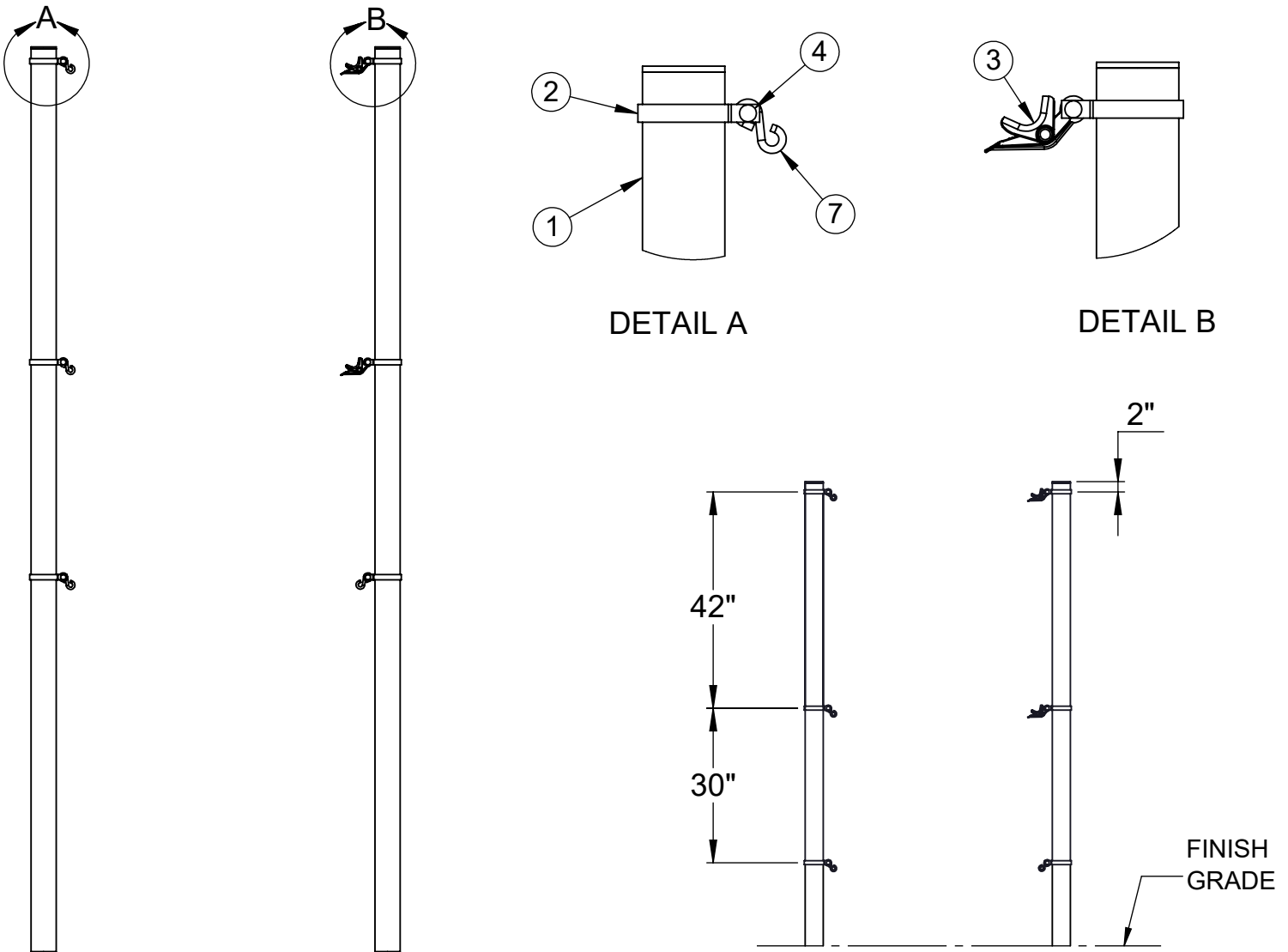



ITEM NO.	PART NUMBER	DESCRIPTION	QTY.
1	W2216GPOST	3-1/2" O.D. GAME POST AND CAP	2
2	VCIBB35	3-1/2" BRACE BAND	6
3	604-044	ROPE CLAMP	2
4	HWCB5161	5/16"-18 x 1" CARRIAGE BOLT	6
5	HWFLWA516	5/16" USS FLAT WASHER	6
6	HWLN516	5/16"-18 LOCK NUT	6
7	HWSH516212	5/16" x 2-1/2" S-HOOK	4



INSTALL THE POSTS IN ϕ 18" x 24" DEEP CONCRETE FOOTINGS OR POST SLEEVES. THE TOPS OF THE POSTS ARE 8'-6" ABOVE THE FINISH GRADE.

ELEVATION VIEW

	Date: 4/25/23	PRODUCT NAME
	Rev:	INTERMEDIATE COMBO NET POST
	Drawn: CW	MODEL NO.
	Sheet: 1 of 1	2216-00IC-SPEC